



ASTRON

SOLID & DURABILITY

SERIES

Model No.	AS 1.9 Pro	AS2.3	AS2.6	AS 2.6 PRO	AS2.9
Pixel Pitch	1.95mm	2.38mm	2.6mm	2.6mm	2.97mm
LED Type	Flip Chip 4-in-1 LED	SMD1515	SMD1515	Flip Chip 4-in-1 LED	SMD2020
GOB	No	Optional	Optional	No	Optional
Pixel Density	262144 pixel/m ²	176400 pixel/m ²	147456 pixel/m ²	262144 pixel/m ²	112896 pixel/m ²
Brightness	1000~1200 nits	800~1200 nits	800~1200 nits	1200~1500 nits	800~1200 nits
Scan Rate	1/8	1/7or1/15	1/8or1/16	1/8 or 1/16	1/21
Panel Resolution	256*256 pixel	210*210pixel	192*192 pixel	256*256 pixel	168*168 pixel
Panel Weight		10.5kg/23.22lb±10%	9.2kg/20.35lb±10%		
Color Temperature		3200~9500K			
Panel Dimension		500mm*500mm*72mm			
Cabinet Material		Die-casting Aluminum			
Max Power Consumption		≤680w/m ²			
Ave Power Consumption		≤340w/m ²			
Viewing Angle		H:160° V:140°			
Refresh Rate		3840~7680Hz			
Gray Scale		14~16bit			
IP Rating		IP30			
Curve		Optional			
Max. Stacking/Hanging		10m			
Lifetime		50,000h			
Operating Temp/Humidity		-20℃~+45℃; 10%~60%RH			
Storage Temp/Humidity		-40℃~+60℃; 10%~60%RH			

*Parameters are for reference only.
*Products are subject to upgrades or changes without prior notice.



Add: North Hall 1203D65, Cangsong Bldg, Tairan 6th Road, Futian District, Shenzhen 518040

Tel: (+86)755-28991020

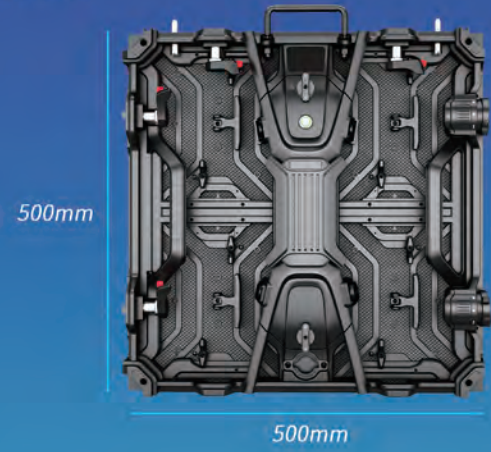
Email: sales@neovision.tech



PROFESSIONAL VIRTUAL PRODUCTION LED DISPLAY

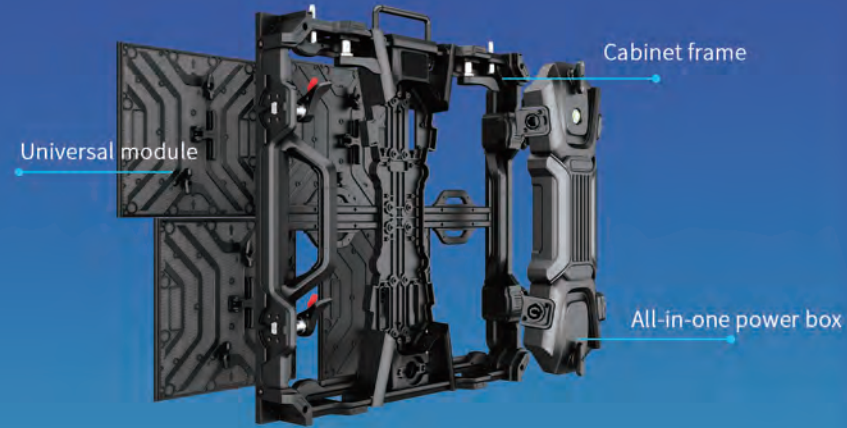
Size & Weight

Single cabinet weight:
9KG (±10%)



All-in-one design

Consists of three parts



Excellent display effect

High refresh rate, high intensity, high contrast, wide color gamut, wide Angle, 4k HD display, bring extreme visual experience



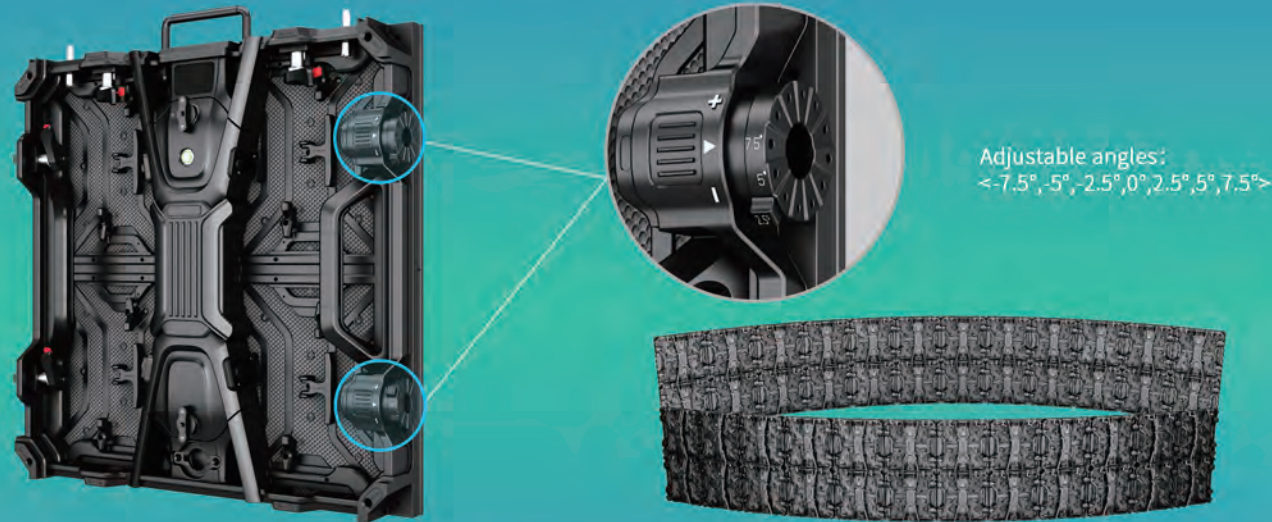
Gloshine



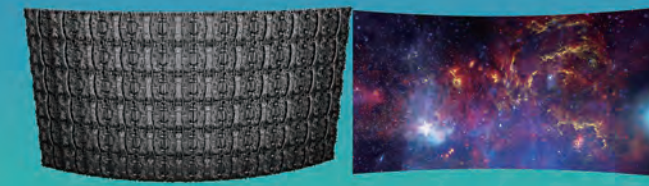
Others

Rotating curved locks

Special locks and cabinet design enables the arcable cabinet and straight cabinet to joint together.



Multiple installation



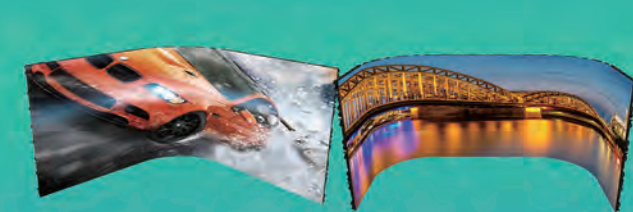
Inner & outer arc splicing



Outer right-angle



Inner right-angle



With CF Series -I & U wave shape

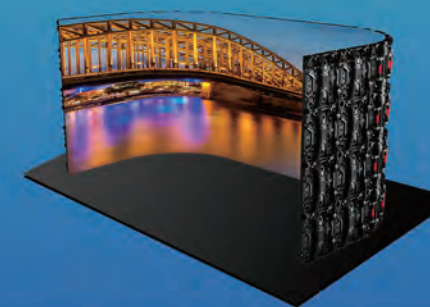
Quick Maintenance

The MV Pro series adopts the magnetic module to realize the rapid maintenance.



XR Virtual studio

Stander screen: MV Pro + CF Floor screen: AR X



Scenario presets:
Advertisement shooting, MV, Live room, broadcasting, commercial.