



PRODUCT CATALOGUE

产品介绍



HI-QUALITY HIGH-PERFORMING

Cooperation · Win Win · Innovation · Development



友利液压设备(广州)有限公司

Youli Hydraulic Equipment (Guangzhou) Co., Ltd.

Tel: +86 13650732626

Email: raoyuan@youliflex.com

Website: www.youliflex.com

Address: The main gate of No. 1 warehouse,
Jishan Yingjun 5 Road, Tianhe District,
Guangzhou City, Guangdong Province.



Whatsapp



WeChat

- Integrity first
- Quality first
- Mutual benefit and win-win situation

友利液压设备(广州)有限公司
Youli Hydraulic Equipment (Guangzhou) Co., Ltd.



Hydraulic Hose - No Skive
EN 853 1SN

Construction

Tube : Oil resistant Synthetic Rubber
Reinforcement : 1 W/B (One braide of high tensile steel wire)
Cover : Oil, weather and abrasion resistant Synthetic Rubber

Application and Temperature

Petroleum base hydraulic fluids and lubricating oils within a temperature range of -40°F to +212°F (-40°C to +100°C)
Water, Water / Glycol and Water / Oil emulsion hydraulic fluids up to +185°F(+85°C)

Size		I.D.		O.D.		Working Pressure		Min. Burst Pressure		Min. Bend Radius	
Dash	DN	Inch	mm	Inch	mm	PSI	in bar	PSI	in bar	mm	inch
3	5	3/16	4.8	0.47	12.0	3,625	250	14,500	1,000	90	3.6
4	6	1/4	6.4	0.52	13.2	3,275	225	13,100	900	100	4.0
5	8	5/16	8.0	0.59	15.0	3,125	215	12,500	860	105	4.2
6	10	3/8	9.6	0.68	17.2	2,625	180	10,500	720	130	5.2
8	12	1/2	12.7	0.79	20.0	2,325	160	9,300	640	180	7.2
10	16	5/8	15.9	0.93	23.6	1,900	130	7,600	520	200	8.0
12	19	3/4	19.1	1.08	27.5	1,525	105	6,100	420	240	9.6
16	25	1	25.4	1.39	35.2	1,305	90	5,220	360	300	12.0
20	32	1 1/4	32.0	1.70	43.2	940	65	3,760	260	420	16.8
24	38	1 1/2	38.0	1.95	49.6	725	50	2,900	200	500	20.0
32	50	2	51.0	2.49	63.2	580	40	2,320	160	630	25.2



Hydraulic Hose - No Skive
EN 853 2SN

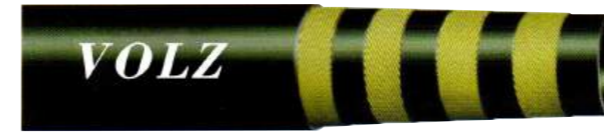
Construction

- Tube : Oil resistant Synthetic Rubber
- Reinforcement : 2 W/B (Two braide of high tensile steel wire)
- Cover : Oil, weather and abrasion resistant Synthetic Rubber

Application and Temperature

- Petroleum base hydraulic fluids and lubricating oils within a temperature range of -40°F to +212°F(-40°C to +100°C)continuous and +257°F(+125°C)Intermittent
- Water, Water / Glycol and Water / Oil emulsion hydraulic fluids up to+185°F(+85°C)

Size		I.D.		O.D.		Working Pressure		Min. Burst Pressure		Min. Bend Radius	
Dash	DN	Inch	mm	Inch	mm	PSI	in bar	PSI	in bar	mm	inch
3	5	3/16	4.8	0.47	14.0	6,010	415	24,040	1,660	90	3.6
4	6	1/4	6.4	0.52	15.6	5,800	400	23,200	1,600	100	4.0
5	8	5/16	8.0	0.59	16.4	5,075	350	20,300	1,400	115	4.6
6	10	3/8	9.6	0.68	18.8	4,800	330	19,200	1,320	130	5.2
8	12	1/2	12.7	0.79	22.0	4,000	275	16,000	1,100	180	7.2
10	16	5/8	15.9	0.93	25.2	3,625	250	14,500	1,000	200	8.0
12	19	3/4	19.1	1.08	29.2	3,100	165	12,400	860	240	9.6
16	25	1	25.4	1.39	37.6	2,400	165	9,600	660	300	12.0
20	32	1 1/4	32.0	1.70	47.5	1,740	120	6,960	480	420	16.8
24	38	1 1/2	38.0	1.95	54.3	1,300	90	5,200	360	500	20.0
32	50	2	51.0	2.49	67.0	1,160	80	4,640	320	630	25.2



Hydraulic Hose
DIN EN 856 4SP

Construction

- Tube:Oil resistant Synthetic Rubber
- Reinforcement:4 W/S(Four spirals of high tensile steel wire)
- Cover:Oil,weather and abrasion resistant Synthetic Rubber

Application and Temperature

- Petroleum base hydraulic fluids and lubricating oils within a temperaturerange of -40°F to + 212°F(-40°C to+ 100°C)
Water,Water /Glycol and Water /Oil emulsion hydraulic fluids up to +185°F(+85°C)

Size		I.D.		O.D.		Working Pressure		Min. Burst Pressure		Min. Bend Radius	
Dash	DN	Inch	mm	Inch	mm	PSI	in bar	PSI	in bar	mm	inch
4	6	1/4	6.4	0.69	17,6	6,525	450	26,100	1,800	150	5.96
6	10	3/8	9.6	0.83	21,1	6,450	445	25,810	1,780	180	7.10
8	12	1/2	12.7	0.96	24,3	6,015	415	24,070	1,660	230	9.05
10	16	5/8	15.9	1.10	27,9	5,075	350	20300	1,400	250	9.85
12	20	3/4	19.1	1.26	31,9	5,510	380	22,040	1,520	300	11.80
16	25	1	25.4	1.54	39.2	4,640	320	18,560	1,280	340	13.40
20	32	1 1/4	32.0	1.98	44,5	3,045	210	12,180	840	460	18.10
24	38	1 1/2	38.0	2.23	52,5	2,680	185	10,730	740	560	22.05
32	50	2	51.0	2.72	65,5	2,390	165	7,570	660	660	26.00



Hydraulic Hose
DIN EN 856 4SH

Construction

- Tube:Oil resistant Synthetic Rubber
- Reinforcement:4 W/S(Four spirals of high tensile steel wire)
- Cover:Oil,weather and abrasion resistant Synthetic Rubber

Application and Temperature

- Petroleum base hydraulic fluids and lubricating oils within a temperature range of -40°F to +212°F(-40°C to +100°C) continuous and +257°F(+125°C)Intermittent
- Water,Water /Glycol and Water /Oil emulsion hydraulic fluids up to+185°F(+85°C)

Size		I.D.		O.D.		Working Pressure		Min. Burst Pressure		Min. Bend Radius	
Dash	DN	Inch	mm	Inch	mm	PSI	in bar	PSI	in bar	mm	inch
12	20	3/4	19.1	1.26	31.9	6,090	420	24,360	1,680	280	11,00
16	25	1	25.4	1.51	38.3	5,510	380	22,040	1,520	340	13,40
20	32	1 1/4	32.0	1.77	44.9	4,710	325	18,850	1,300	460	18,10
24	38	1 1/2	38.0	2.08	52.9	4,205	290	16,820	1,160	560	22,05
32	50	2	51.0	2.66	66.0	3,625	250	14,500	1,000	700	27,55



Hydraulic Hose -No Skive

SAE 100 **R1 AT**

Construction

- Tube:Oil resistant Synthetic Rubber
- Reinforcement:1 W/B(One)braide of high tensile steel wire
- Cover:Oil,weather and abrasion resistant Synthetic Rubber

Application and Temperature

- Petroleum base hydraulic fluids and lubricating oils within a temperature range of -40°F to +212 °F(-40°C to +100°C)
Water,Water /Glycol and Water /Oil emulsion hydraulic fluids up to+185°F(+85°C)

Size		I.D.		O.D.		Working Pressure		Min. Burst Pressure		Min. Bend Radius	
Dash	DN	Inch	mm	Inch	mm	PSI	in bar	PSI	in bar	mm	inch
4	6	1/4	6.4	0.53	13.4	3,000	210	12,000	840	70	2.8
5	8	5/16	7.9	0.59	15.0	2,510	176	10,060	705	80	3.1
6	10	3/8	9.5	0.69	17.4	2,250	158	9,000	632	90	3.5
8	12	1/2	12.7	0.81	20.6	2,000	140	8,000	560	110	4.3
10	16	5/8	15.9	0.94	23.8	1,500	105	6,000	420	120	4.7
12	19	3/4	19.1	1.09	27.8	1,250	90	5,000	360	170	6.7
16	25	1	25.4	1.40	35.6	1,000	70	4,000	280	230	9.1
20	32	1 1/4	31.8	1.73	43.9	625	44	2,500	180	340	13.2
24	38	1 1/2	38.1	2.00	50.8	500	35	2,000	140	400	15.8
32	50	2	50.8	2.54	64.6	375	26	1,500	105	635	25.0



Hydraulic Hose - No Skive

SAE 100 **R2 AT**

Construction

- Tube:Oil resistant Synthetic Rubber
- Reinforcement:2 W/B(Two braide of high tensile steel wire)
- Cover:Oil,weather and abrasion resistant Synthetic Rubber

Application and Temperature

- Petroleum base hydraulic fluids and lubricating oils within a temperature range of -40 °F to +212 °F(-40°C to +100°C)
- Water,Water /Glycol and Water /Oil emulsion hydraulic fluids up to+185°F(+85°C)

Size		I.D.		O.D.		Working Pressure		Min. Burst Pressure		Min. Bend Radius	
Dash	DN	Inch	mm	Inch	mm	PSI	in bar	PSI	in bar	mm	inch
4	6	1/4	6.4	0.59	15.1	5,000	350	20,000	1,400	70	2.8
5	8	5/16	7.9	0.65	16.5	4,280	300	17,120	1,200	80	3.1
6	10	3/8	9.5	0.75	19.0	4,000	280	16,000	1,120	90	3.5
8	12	1/2	12.7	0.87	22.2	3,570	250	14,280	1,000	110	4.3
10	16	5/8	15.9	1.00	25.3	2,710	190	10,840	760	120	4.7
12	19	3/4	19.1	1.16	29.5	2,280	160	9,120	640	170	6.7
16	25	1	25.4	1.48	37.5	2,000	140	8,000	560	230	9.1
20	32	1 1/4	31.8	1.89	48.0	1,640	115	6,560	460	340	13.2
24	38	1 1/2	38.1	2.14	54.4	1,250	88	5,025	352	400	15.8
32	50	2	50.8	2.64	67.0	1,070	75	4,280	300	635	25.0



Hydraulic Hose

SAE 100 **R5**

Construction

- Tube:black,oil and heat resistant synthetic rubber.
- Reinforcement:1 braid of high-tensile carbon steel wire over one braidof polyester.
- Cover:Black,oil and mildew resistant,polyester braid.

Application and Temperature

- Medium Pressure Hydraulic petroleum-based oil lines in impulse applications,lube oil,air and water in applications such as air brakes,power steering,turbocharger oil supplies,tilt cab cylinders,transmission coolant and filtration lines.
- Temperature Standards:With a temperature range of-40°F to +212°F(-40°C to+100°C)

Size		I.D.		O.D.		Working Pressure		Min. Burst Pressure		Min. Bend Radius	
Dash	DN	Inch	mm	Inch	mm	PSI	in bar	PSI	in bar	mm	inch
5	6	1/4	6.4	0.58	14.7	3,000	207	12,000	828	86	3.4
6	8	5/16	7.9	0.67	17.0	2,250	155	9,000	620	102	4.0
8	10	13/32	9.5	0.77	19.5	2,000	138	8,000	552	117	4.6
10	12	1/2	12.7	0.92	23.3	1,750	121	7,000	484	140	5.5
12	16	5/8	15.9	1.08	27.4	1,500	104	6,000	416	165	6.5
16	22	7/8	19.1	1.23	31.2	800	55	3,200	220	188	7.4
20	28	1 1/8	25.4	1.50	38.1	625	43	3,500	172	230	9.0
24	35	1 3/8	31.8	1.75	44.4	500	34	2,000	136	267	10.5



Hydraulic Hose - No Skive

SAE 100 **R6**

Construction

- Tube:Oil resistant Synthetic Rubber
- Reinforcement:1 T/B(One textile braid)
- Cover:Oil,weather and abrasion resistant Synthetic Rubber

Application and Temperature

- Petroleum base hydraulic fluids and lubricating oils within a temperaturerange of-40°Fto +212°F(-40°C to +125°C)
- Water,Water /Glycol and Water /Oil emulsion hydraulic fluids up to+185°F(+85°C)

Size		I.D.		O.D.		Working Pressure		Min. Burst Pressure		Min. Bend Radius	
Dash	DN	Inch	mm	Inch	mm	PSI	in bar	PSI	in bar	mm	inch
4	6	1/4	6.4	0.50	12.7	400	28	1,600	112	65	2.5
5	8	5/16	7.9	0.56	14.3	400	28	1,600	112	75	3.0
6	10	3/8	9.5	0.63	15.9	400	28	1,600	112	75	3.0
8	12	1/2	12.7	0.78	19.8	400	28	1,600	112	100	4.0
10	16	5/8	15.9	0.91	23.0	360	25	1,400	100	130	5.0
12	19	3/4	19.0	1.03	26.4	300	21	1,200	84	150	6.0



Hydraulic Hose -No Skive

SAE 100 **R7**

Construction

- Core:Thermoplastic Elastomer
- Reinforcement:1 braid of synthetic fibre
- Cover:Black colour,Pin Pricked -Polyurethane.Available twin andmulti lines with different hose combination and size.Special coloursand private print upon request.

Application and Temperature

- Medium Pressure Hydraulic Lines to 210 bar. Suitable for Hydraulic application with increased resistance to abrasion.For use with petroleum,synthetic or water based fluids in Hydraulicsystems.Suitable for Agricultural machinery,Earthmoving,Telescopicbooms and Material handling equipments.Can be used for industrialgases and other applications,please consult manufacturer.
- Temperature Standards:-40°C to+100°C (not to exceed +70°C for Airand water based fluids)

Size		I.D.		O.D.		Working Pressure		Min. Burst Pressure		Min. Bend Radius	
Dash	DN	Inch	mm	Inch	mm	PSI	in bar	PSI	in bar	mm	inch
2	3	1/8	3.2	0.32	8.2	3,000	210	12,000	840	25	1.0
3	5	3/16	4.8	0.40	10.3	3,000	210	12,000	840	25	1.0
4	6	1/4	6.4	0.49	12.4	2,750	190	11,000	760	32	1.3
5	8	5/16	8.0	0.56	14.2	2,500	175	10,000	700	45	1.8
6	10	3/8	9.6	0.62	15.7	2,250	155	9,000	620	55	2.2
8	12	1/2	12.7	0.76	19.3	2,050	140	8,200	560	77	3.1
10	16	5/8	15.9	0.91	23.1	1,500	105	6,000	420	110	4.4
12	20	3/4	19.1	1.04	26.4	1,300	90	5,200	360	140	5.6
16	25	1	25.4	1.31	33.3	1,000	70	4,000	280	200	8.0
20	32	1 1/4	32.0	1.65	42.0	1,000	70	4,000	280	300	12.0



Hydraulic Hose - No Skive

SAE 100 **R8**

Construction

- Core:Thermoplastic Elastomer
- Reinforcement:1 braid of aramid fibre
- Cover:Black colour,Pin Pricked -Polyurethane.Available twin andmulti lines with different hose combination and size.Special coloursand private print upon request.

Application and Temperature

- High Pressure Hydraulic Lines to 350 bar. Suitable for Hydraulic application with increased resistance to abrasion.For use with petroleum,synthetic or water based fluids in Hydraulicsystems.- Suitable for Agricultural machinery,Earthmoving,Telescopicbooms and Material handling equipments.Can be used for industrialgases and other applications,please consult manufacturer.
- Temperature Standards:-40°C to+100°C(not to exceed +70°C for Airand water based fluids)

Size		I.D.		O.D.		Working Pressure		Min. Burst Pressure		Min. Bend Radius	
Dash	DN	Inch	mm	Inch	mm	PSI	in bar	PSI	in bar	mm	inch
3	5	3/16	4.8	0.49	12.4	5,000	350	20,000	1,400	40	1.6
4	6	1/4	6.4	0.63	12.5	5,000	350	20,000	1,400	45	1.8
5	8	5/16	8.0	0.66	14.5	4,250	290	17,000	1,160	55	2.2
6	10	3/8	9.6	0.73	15.8	4,000	280	16,000	1,120	65	2.6
8	12	1/2	12.7	0.89	19.5	3,500	245	14,000	980	77	3.1
10	16	5/8	15.9	1.01	23.3	2,750	190	11,000	760	100	4.0
12	20	3/4	19.1	1.14	26.6	2,250	155	9,000	620	140	5.6
16	25	1	25.4	1.42	35.1	2,000	140	8,000	560	200	8.0



Hydraulic Hose

SAE 100 **R12**

Construction

- Tube:Oil resistant Synthetic Rubber
- Reinforcement:4 W/S(Four spirals of high tensile steel wire)
- Cover:Oil,weather and abrasion resistant Synthetic Rubber

Application and Temperature

- Petroleum base hydraulic fluids and lubricating oils within a temperaturerange of-40°Fto+212°F(-40°C to+125°C)
- Water,Water /Glycol and Water /Oil emulsion hydraulic fluids up to+185°F(+85°C)

Size		I.D.		O.D.		Working Pressure		Min. Burst Pressure		Min. Bend Radius	
Dash	DN	Inch	mm	Inch	mm	PSI	in bar	PSI	in bar	mm	inch
6	10	3/8	9.5	0.80	20.3	4,000	280	16,000	1,120	125	5.0
8	12	1/2	12.7	0.93	23.7	4,000	280	16,000	1,120	180	7.0
10	16	5/8	15.9	0.97	27.6	4,000	280	16,000	1,120	200	8.0
12	20	3/4	19.0	1.21	30.7	4,000	280	16,000	1,120	240	9.5
16	25	1	25.4	1.50	38.0	4,000	280	16,000	1,120	300	12.0
20	32	1 1/4	31.8	1.85	47.0	3,000	210	12,000	840	420	16.5
24	38	1 1/2	38.1	2.11	53.5	2,500	175	10,000	700	500	20.0
32	51	2	50.8	2.63	66.7	2,500	175	10,000	700	630	25.0



Hydraulic Hose

SAE 100 **R13**

Construction

- Tube:Oil resistant Synthetic Rubber
- Reinforcement:4 W/S(upto 1)or 6W/S (from 11/4)(Four or Six spirals of high tensile steel wire)
- Cover:Oil,weather and abrasion resistant Synthetic Rubber

Application and Temperature

- Petroleum base hydraulic fluids and lubricating oils within a temperaturerange of-40°Fto+257°F(-40°C to +125°C)
- Water,Water /Glycol and Water/Oil emulsion hydraulic fluids up to+185°F(+85°C)

Size		I.D.		O.D.		Working Pressure		Min. Burst Pressure		Min. Bend Radius	
Dash	DN	Inch	mm	Inch	mm	PSI	in bar	PSI	in bar	mm	inch
16	25	1	25.4	1.51	38.3	5,075	350	20,300	1,400	340	13.4
20	32	1 1/4	32.0	1.95	49.4	5,075	350	20,300	1,400	420	16.5
24	38	1 1/2	38.0	2.23	56.7	5,075	350	20,300	1,400	500	19.7
32	50	2	51.0	2.78	70.5	5,075	350	20,300	1,400	630	24.8



Hydraulic Hose

SAE 100 R14

Construction

- Inner tube:PTFE
- Reinforcement:1 braid of 303/304 stainless steel wire

Application and Temperature

- PTFE hose has excellent temperature characteristics both in high and low temperature,Excellent chemical resistance,non contamination properties,low coefficient of friction and resists deterioration.
- temperature range -54C to 260°C

Size		I.D.		O.D.		Working Pressure		Min. Burst Pressure		Min. Bend Radius	
Dash	DN	Inch	mm	Inch	mm	PSI	in bar	PSI	in bar	mm	inch
3	5	3/6	4.8	0.31	7.9	2,750	190	11,000	760	50	2.00
4	6	1/4	6.4	0.37	9.4	2,610	180	10,440	720	75	3.00
5	8	5/16	8.0	0.43	10.9	2,540	175	10,160	700	100	4.00
6	10	3/8	9.6	0.49	12.5	2,390	165	9,560	660	125	5.00
7	10	13/32	10.4	0.53	13.5	2,030	140	8,120	560	135	5.40
8	12	1/2	12.7	0.64	16.2	1,740	120	6,960	480	165	6.60
10	16	5/8	15.9	0.74	18.8	1,270	88	5,080	352	200	8.00
12	19	3/4	19.2	0.90	22.9	1,010	70	4,040	280	230	9.20
14	22	7/8	22.3	1.04	26.4	870	60	3,480	240	230	9.20
16	25	1	25.4	1.15	29.2	870	60	3,480	240	300	12.00



Hydraulic Hose

SAE 100 R15

Construction

- Core:Oil and Water resistant Synthetic rubber
- Reinforcement:four or six high tensile steel wire spirals
- Cover:Black colour,Synthetic rubber resistant to oil,weather,Ozone and abrasion

Application and Temperature

- High pressure hydraulic line up to 420 bar and requires compact dia.
- for use with petroleum,synthetic or water based fluids in hydraulicsystems. Suitable for agricultural,construction,material handling equipment and machinery.
- Temperature standards:-40°C bis +121°C

Size		I.D.		O.D.		Working Pressure		Min. Burst Pressure		Min. Bend Radius	
Dash	DN	Inch	mm	Inch	mm	PSI	in bar	PSI	in bar	mm	inch
12	20	3/4	19.1	1.26	32.2	6,090	420	24,360	1,680	224	8,8
16	25	1	25.4	1.53	38.9	6,090	420	24,360	1,680	272	10,7
20	32	1 1/4	32.0	1.96	49.8	6,090	420	24,360	1,680	440	15,7
24	38	1 1/2	38.0	2.26	57.4	6,090	420	24,360	1,680	450	17,7
32	50	2	50.0	2.80	71.2	6,090	420	24,360	1,680	650	25,6



Hydraulic Hose - No Skive

SAE 100 R16

Construction

- Tube:Oil resistant Synthetic Rubber
- Reinforcement:2W/B(Two braids of high tensile steel wire)
- Cover:Oil,weather and abrasion resistant Synthetic Rubber.

Application and Temperature

- Petroleum base hydraulic fluids and lubrication oils within a temperature range of -40F to 257°F(-40C to +125°C)
- Water,Water /Glycol and Water /Oil emulsion hydraulic fluids upto +185°F(+85°C)
- Air within of -40°F to +158°F(-40°C to +70°C)

Size		I.D.		O.D.		Working Pressure		Min. Burst Pressure		Min. Bend Radius	
Dash	DN	Inch	mm	Inch	mm	PSI	in bar	PSI	in bar	mm	inch
4	6	1/4	6,4	0.53	13.4	5,000	350	20,000	1,400	50	2.0
5	8	5/16	7,9	0.59	15.0	4,250	300	17,000	1,200	55	2.3
6	10	3/8	9,5	0.69	17.4	4,000	280	16,000	1,120	65	2.5
8	12	1/2	12,7	0.81	20.6	3,500	245	14,000	980	90	3.5
10	16	5/8	15,9	0.94	23.8	2,750	193	11,000	772	100	4.0
12	19	3/4	19,0	1.09	27.8	2,250	158	9,000	632	120	4.7
16	25	1	25,4	1.41	35.9	2,000	140	8,000	560	150	6.0



Hydraulic Hose - No Skive

SAE 100 R17

Construction

- Tube:Oil resistant Synthetic Rubber
- Reinforcement:one(upto 1/2")or two (from 5/8")high tensile steel wire braids
- Cover:Oil,weather and abrasion resistant Synthetic Rubber.

Application and Temperature

- Petroleum base hydraulic fluids and lubrication oils within a temperature range of -40°F to 257°F(-40°C to +125°C)
- Water,Water /Glycol and Water /Oil emulsion hydraulic fluids upto +185°F(+85°C)
- Air within of -40°F to +158°F(-40°C to +70°C)

Size		I.D.		O.D.		Working Pressure		Min. Burst Pressure		Min. Bend Radius	
Dash	DN	Inch	mm	Inch	mm	PSI	in bar	PSI	in bar	mm	inch
4	6	1/4	6,4	0,49	12,5	3,000	210	12,000	840	50	2.0
5	8	5/16	7,9	0,56	14,3	3,000	210	12,000	840	55	2.3
6	10	3/8	9,5	0,65	16,5	3,000	210	12,000	840	65	2.5
8	12	1/2	12,7	0,78	19,7	3,000	210	12,000	840	90	3.5
10	16	5/8	15,9	0,94	24,0	3,000	210	12,000	840	100	4.0
12	19	3/4	19,0	1,10	28,0	3,000	210	12,000	840	125	5.0
16	25	1	25,4	1,43	36,2	3,000	210	12,000	840	150	6.0



Thermoplastic Hose

JACK HOSE

Construction

- Inner tube: Thermoplastic Elastomer
- Reinforcement: Double steel wire braids
- Cover: Black, Red or Orange color Polyurethane

Application and Temperature

- Very high pressure Hydraulic Lines 520 to 800 bar
- Compact, high pressure, light weight, high abrasion resistance.
- Temperature Range -40°C to 100°C

Size		I.D.		O.D.		Working Pressure		Min. Burst Pressure		Min. Bend Radius	
Dash	DN	Inch	mm	Inch	mm	PSI	in bar	PSI	in bar	mm	inch
4	6	1/4	6.4	0.55	14.1	10,000	700	25,000	1,750	100	4.0
6	10	3/8	9.6	0.69	17.5	8,700	600	21,750	1,500	150	6.0
8	12	1/2	12.8	0.83	21.1	7,250	500	18,125	1,250	200	8.0



Thermoplastic Hose

JACK HOSE

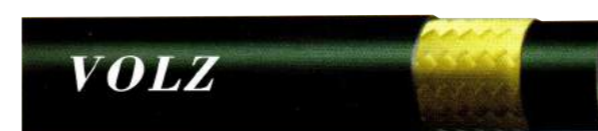
Construction

- Inner tube: Oil Resistant Synthetic Rubber
- Reinforcement: Double steel wire braids
- Cover: Black, oil and abrasion resistant, synthetic rubber

Application and Temperature

- Hydraulic jack applications, used with jacking systems. 10,000 Static Pressure Only.
- Temperature Range -40°C to 100°C

Size		I.D.		O.D.		Working Pressure		Min. Burst Pressure		Min. Bend Radius	
Dash	DN	Inch	mm	Inch	mm	PSI	in bar	PSI	in bar	mm	inch
4	6	1/4	6.4	0.59	15.6	10,000	700	25,000	1,750	100	4.0
6	10	3/8	9.6	0.74	18.8	10,000	700	23,000	1,600	130	5.2
8	12	1/2	12.8	0.87	21.1	10,000	700	21,000	1,450	180	7.2



Hydraulic Hose - No Skive

Pilot Hose

Construction

- Tube: Oil resistant Synthetic Rubber
- Reinforcement: One braided high tensile steel wire
- Cover: Black colour, Oil, weather and abrasion resistant Synthetic Rubber

Application and Temperature

- Petroleum base hydraulic fluids and lubricating oils within a temperature range of -40°F to +212°F (-40°C to +100°C)
- Water, Water / Glycol and Water / Oil emulsion hydraulic fluids up to +185°F (+85°C)

Size		I.D.		O.D.		Working Pressure		Min. Burst Pressure		Min. Bend Radius	
Dash	DN	Inch	mm	Inch	mm	PSI	in bar	PSI	in bar	mm	inch
4	6	1/4	6.4	0.47	12.0	1500	120	6000	480	30	1.2
6	10	3/8	9.5	0.63	16.0	1500	120	6000	480	50	2.0



Hydraulic Hose - No Skive

Sewer Jetting Hose

Construction

- Tube: Thermoplastic Elastomer
- Reinforcement: Single or double braid of polyester / aramid fibre
- Cover: Polyurethane, green colour. Special colours and private print upon request.

Application and Temperature

- Standard Sewer Cleaning vehicles and Sewer Cleaning equipment. Special fully bonded construction and optimum cut and wear resistance, for an increased lifetime. Cover resistant to microbiological degradation. Lightweight compared to conventional rubber sewer cleaning hoses. Available in customary length.
- Temperature standards: -40°F to +212°F (-40°C to +100°C)

Size		I.D.		O.D.		Working Pressure		Min. Burst Pressure		Min. Bend Radius	
Dash	DN	Inch	mm	Inch	mm	PSI	in bar	PSI	in bar	mm	inch
8	12	1/2	12.7	0.92	23.4	4,000	280	12,000	840	75	3.0
12	20	3/4	19.1	1.15	29.2	3,600	250	9,000	625	125	5.0
16	25	1	25.4	1.50	37.9	3,600	250	9,000	625	160	6.4
20	32	1 1/4	32.0	1.80	45.7	3,600	250	9,000	625	250	10.0



Food grade

PTFE Convoluted Hose

Inner Tube

- Convoluted hose comprises a convoluted PTFE Tube liner and singl stainless steel outer braid. The hose core is made from FDA approved virgin 100% PTFE resin without any pigment or additive.

Outer

- Outer Tube The wire braiding is produced from AISI 304 stainless steel wire

Application

- It features excellent flexibility and kink resistance for superior performance in chemical transfer, high temperature hydraulics and hose applications requiring tight routings, high temperature media transfer and general purpose applications.

Temperature

- -65°C to +260°C

Product Code	Inch	I.D. mm	O.D. mm	W/S PSI	B/P PSI
HR14(C)-F06	3/8"	10.0	15.5	1730	5191
HR14(C)-F08	1/2"	13.0	19.2	1498	4495
HR14(C)-F10	5/8"	16.0	23.0	1160	3480
HR14(C)-F12	3/4"	19.0	26.8	1015	3045
HR14(C)-F16	1"	25.0	33.0	793	2378
HR14(C)-F32	1 1/4"	32.0	41.5	450	1349
HR14(C)-F38	1 1/2"	38.0	48.0	392	1175
HR14(C)-F50	2"	50.0	62.5	300	899



Silicone Fiberglass Fire Sleeve

Design

- Woven insulated non alkali glass fiber braided sleeve; heavily coated with silicone resin outside layer

Colour

- Orange

Features

- Oil & water resistant
- Perfect for insulating hoses, wires, oil & fuel lines
- Protects against dirt and road grime
- Upto 560°C (inner fiber glass sleeve heat resistant)
- Upto 260°C (outside silicone heat resistant)

Product Code	ID Size (mm)	ID Size (inch)	Wall thickness mm	Tolerance mm	No./ctn (m)
H-SFS16	16	5/8	2.0	±0.15	100
H-SFS20	20	3/4	2.0	±0.20	100
H-SFS22	22	7/8	2.0	±0.20	100
H-SFS25	25	1	2.0	±0.30	100
H-SFS30	30	1 1/8	2.0	±0.30	50
H-SFS32	32	1 1/4	2.0	±0.32	50
H-SFS38	38	1 1/2	3.0	±0.30	50
H-SFS45	45	1 3/4	3.0	±0.30	50
H-SFS51	51	2	3.0	±0.35	50
H-SFS57	57	2 1/4	3.5	±0.35	50
H-SFS64	64	2 1/2	3.5	±0.35	20
H-SFS70	70	2 3/4	3.5	±0.40	20
H-SFS76	76	3	4.0	±0.40	20



SAE 100 R1-R17

Nominal working pressure ($\frac{\text{bar}}{\text{PSI}}$)

	1/4" -4	5/16" -5	3/8" -6	1/2" -8	5/8" -10	3/4" -12	1" -16	1-1/4" -20	1-1/2" -24	2" 32
R1-AT	$\frac{210}{3000}$	$\frac{176}{2540}$	$\frac{155}{2250}$	$\frac{138}{2000}$	$\frac{103}{1500}$	$\frac{86}{1250}$	$\frac{69}{1000}$	$\frac{43}{625}$	$\frac{35}{500}$	$\frac{26}{375}$
R2-AT	$\frac{350}{5075}$	$\frac{295}{4280}$	$\frac{280}{4060}$	$\frac{246}{3570}$	$\frac{190}{2755}$	$\frac{160}{2320}$	$\frac{140}{2030}$	$\frac{115}{1670}$	$\frac{88}{1275}$	$\frac{75}{1090}$
R5	$\frac{210}{3000}$	$\frac{155}{2250}$	$\frac{138}{2000}$	$\frac{120}{1750}$	$\frac{103}{1500}$		$\frac{55}{800}$ (7/8")	$\frac{43}{625}$ (1-1/8")		
R6	$\frac{28}{400}$	$\frac{28}{400}$	$\frac{28}{400}$	$\frac{28}{400}$	$\frac{24}{350}$	$\frac{21}{300}$	$\frac{17}{250}$			
R7	$\frac{190}{2750}$	$\frac{172}{2500}$	$\frac{155}{2250}$	$\frac{138}{2000}$		$\frac{86}{1250}$	$\frac{69}{1000}$			
R8	$\frac{345}{5000}$		$\frac{276}{4000}$	$\frac{240}{3500}$		$\frac{155}{2250}$	$\frac{138}{2000}$			
R12			$\frac{280}{4060}$	$\frac{280}{4060}$	$\frac{280}{4060}$	$\frac{280}{4060}$	$\frac{280}{4060}$	$\frac{210}{3045}$	$\frac{175}{2540}$	$\frac{175}{2540}$
R13						$\frac{350}{5070}$	$\frac{350}{5070}$	$\frac{350}{5070}$	$\frac{350}{5070}$	$\frac{350}{5070}$
R15						$\frac{420}{6090}$	$\frac{420}{6090}$	$\frac{420}{6090}$	$\frac{420}{6090}$	$\frac{420}{6090}$
R16	$\frac{350}{5075}$	$\frac{295}{4280}$	$\frac{280}{4060}$	$\frac{246}{3570}$	$\frac{190}{2755}$	$\frac{160}{2320}$	$\frac{140}{2030}$			
R17	$\frac{210}{3000}$	$\frac{210}{3000}$	$\frac{210}{3000}$	$\frac{210}{3000}$	$\frac{210}{3000}$	$\frac{210}{3000}$	$\frac{210}{3000}$			

EN 853

Nominal working pressure ($\frac{\text{bar}}{\text{PSI}}$)

	1/4" -4	5/16" -5	3/8" -6	1/2" -8	5/8" -10	3/4" -12	1" -16	1-1/4" -20	1-1/2" -24	2" 32
1SN	$\frac{225}{3265}$	$\frac{215}{3120}$	$\frac{180}{2610}$	$\frac{160}{2320}$	$\frac{130}{1885}$	$\frac{105}{1525}$	$\frac{86}{1275}$	$\frac{63}{915}$	$\frac{50}{725}$	$\frac{40}{580}$
2SN	$\frac{400}{5800}$	$\frac{350}{5075}$	$\frac{330}{4785}$	$\frac{275}{4000}$	$\frac{250}{3625}$	$\frac{215}{3120}$	$\frac{165}{2395}$	$\frac{125}{1815}$	$\frac{90}{1305}$	$\frac{80}{1160}$

EN 856

Nominal working pressure ($\frac{\text{bar}}{\text{PSI}}$)

	1/4" -4	5/16" -5	3/8" -6	1/2" -8	5/8" -10	3/4" -12	1" -16	1-1/4" -20	1-1/2" -24	2" 32
4SP			$\frac{445}{6455}$	$\frac{415}{6000}$	$\frac{350}{5075}$	$\frac{350}{5075}$	$\frac{280}{4060}$	$\frac{210}{3045}$	$\frac{185}{2685}$	$\frac{165}{2395}$
4SH						$\frac{420}{6090}$	$\frac{380}{5510}$	$\frac{325}{4713}$	$\frac{290}{4200}$	$\frac{250}{3625}$



FITTING



			DESCRIPTION
1	BSP / BSPT	60' Cone/seat	BSP Female 60' Cone
			BSP Female 60' Cone (90° Elbow)
			BSP Compact Female 60' Cone (90° Elbow)
			BSP Female 60' Cone (45° Elbow)
			BSP Male 60' Cone Seat
			BSPT Swivel Male 60' Cone Seat
			BSPT Male 60' Cone Seat
			BSPT Compact Male 60' Cone Seat (90° Elbow)
		Flat	BSP Female Flat Seat
			BSP Male Flat O-Ring Boss Type
2	JIS	JIS BSP 60' Cone / Seat	JIS BSP Female 60' Cone Seat
			JIS BSP Female 60' Cone Seat (45° Elbow)
			JIS BSP Female 60' Cone Seat (90° Elbow)
		JIS Metric 60' Cone / Seat (Komatsu)	JIS Metric Female 60' Cone Seat
	JIS Metric Female 60' Cone Seat (90° Elbow)		
	JIS Metric Female 60' Cone Seat (45° Elbow)		
	Metric Male 60' Cone		
	3	ORFS	Flat
ORFS Male Flat O-Ring			
ORFS Female Flat Seat (90° Elbow)			
ORFS Female Flat Seat (45° Elbow)			
4	JIC	74' Cone / Seat	JIC Female 74' Cone Seat
			JIC Female 74' Cone Seat (90° Elbow)
			JIC Compact Female 74' Cone Seat (90° Elbow)
			JIC Female 74' Cone Seat (45° Elbow)
			JIC Male 74' Cone
			JIC Male 74' Cone (Bulkhead)
	UNF-UN	Flat	UNF-UN Male Flat O-Ring Boss Type



5	NPT	60' Cone / Seat	NPT Male 60' Cone Seat
			NPT Female 60' Cone

6	SAE	90' Cone / Seat	SAE Female 90' Cone Seat - (Straight)
			SAE Female 90' Cone Seat - (45° Elbow)
			SAE Female 90' Cone Seat - (90° Elbow)
			SAE Male 90' Cone

7	Metric	Multiseal	Metric Female Multiseal (ST)
			Metric Female Multiseal (90° Elbow)
			Metric Female Multiseal (45° Elbow)
			Metric Male 60' Cone Seat
		Flat	Metric Female Flat Seat (ST)
			Metric Female Flat Seat (90° Elbow)
			Metric Female Flat Seat (45° Elbow)
			Metric Male Flat Seat O-Ring Boss Type
		24' Cone/Seat (Light Duty)	Metric Female 24' Cone L/D (ST)
			Metric Female 24' Cone L/D (90° Elbow)
			Metric Female 24' Cone L/D (45° Elbow)
			Metric Male 24' Cone Seat L/D
		24' Cone/Seat (Heavy Duty)	Metric Female 24' Cone H/D (ST)
			Metric Female 24' Cone H/D (90° Elbow)
			Metric Female 24' Cone H/D (45° Elbow)
			Metric Male 24' Cone Seat (H/D)
		French Type (Kobelco)	Metric Female French Type 24' Cone (ST)
			Metric Female French Type 24' Cone (90° Elbow)
			Metric Female French Type 24' Cone (45° Elbow)
			Metric Male French Type 24' Cone Seat



Metric	DKO-L	Metric Female 24' Cone O-Ring (L) (ST)
		Metric Female 24' Cone O-Ring (L) (90° Elbow)
		Metric Female 24' Cone O-Ring (L) (45° Elbow)
		Metric Male 24' Cone Seat (L)
	DKO-S	Metric Female 24' Cone O-Ring (S) (ST)
		Metric Female 24' Cone O-Ring (S) (90° Elbow)
		Metric Female 24' Cone O-Ring (S) (45° Elbow)
		Metric Male 24' Cone Seat (S)
	Water Pump Fitting	Metric Female (Plastic Nut)
	Lorry Fitting	Metric Male with O-Ring Groove
		Metric Male 90' Cone Bulkhead

		DESCRIPTION
1	3000 PSI	Flange 3000 PSI (ST)
		Flange 3000 PSI (90° Elbow)
		Flange 3000 PSI (45° Elbow)

2	6000 PSI	Flange 6000 PSI (ST)
		Flange 6000 PSI (90° Elbow)
		Flange 6000 PSI (45° Elbow)

3	9000 PSI (Heavy Duty)	(HD) Flange 9000 PSI (ST)
		(HD) Flange 9000 PSI (90° Elbow)
		(HD) Flange 9000 PSI (45° Elbow)



Adapter (AD)

		DESCRIPTION
1	BSP	BSPT Male 60° Cone seat
		BSP Male 60° Cone seat
		BSP Female 60° Cone
		BSP Fixed Female
2	JIS	JIS BSP Male 60° Cone
		Metric Male 60° Cone (JIS Metric)
3	ORFS	ORFS Male O-Ring
		ORFS Female Flat Seat
4	JIC	JIC Male 74° Cone
		JIC Female 74° Cone Seat
	UNF	UNF-UN Male Flat O-Ring Boss Type
5	NPT	NPT Male 60° Cone Seat
		NPT Fixed Female 60° Cone
6	SAE	SAE Male 90° Cone
7	Metric	Metric Male Flat Seat O-Ring Boss Type
		Metric Male 90° Cone (SAE)
		Metric Male
		French Metric Male 24° Cone Seat



Close Type Hydraulic Quick Coupling (Steel)

ISO 7241A - bsp

Feature

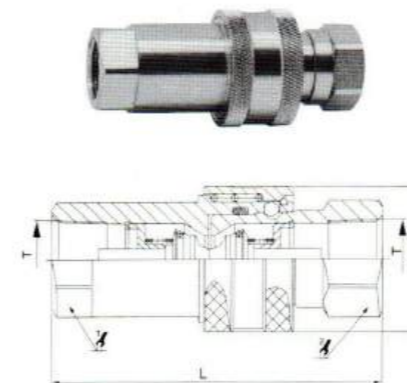
- Poppet valves available to prevent uncoupled leakage.
- Poppet valves open automatically when coupled, with in rated working pressure, to keep the flow expedite.
- Critical parts are hardened for durability.
- Dependable ball-locking mechanism holds the mating halves together.
- Socket and plug are precision machined from solid bar stock.
- Conform to the standard of ISO 7241-A.
- Compatible with PARKER 6600 Series, FASTER ANV Series, AEROQUIP 5600 Series and HANSEN HA15000 Series.



Application

ISO 7241A Series brings to the industry a proven design for use on construction equipment, forestry equipment, agricultural machinery, oil tools, oil equipment steel mill machinery, and other demanding hydraulic application.

Body Sizes (in)	1/4	3/8	1/2	3/4	1	1-1/4	1-1/2	2
Rated Pressure (PSI)	5000	4000	4000	4000	4000	3000	2000	2000
Rated Flow (GPM)	3	6	12	28	50	88	220	240
Temperature Range (std seals)	-20°C to -120°C							
Standard seal material	NBR							



Code	ISO	L	øD	1	2
QRC-A 04	6.3	71	26	19	13
QRC-A 06	10	75	31.5	22	14
QRC-A 08	12.5	88	38.5	27	16
QRC-A 12	20	110	48	34	18
QRC-A 16	25	119.5	56	41	21
QRC-A 20	31.5	150	69.5	50	25
QRC-A 24	40	167.5	84	60	27
QRC-A 32	50	210.5	99	75	26



Close Type Hydraulic Quick Coupling (Steel)

ISO 7241B - npt

Feature

- Poppet valves available to prevent uncoupled leakage.
- Poppet valves open automatically when coupled, with in rated working pressure, to keep the flow expedite.
- Critical parts are hardened for durability.
- Dependable ball-locking mechanism holds the mating halves together.
- Socket and plug are precision machined from solid bar stock.
- Conform to the standard of ISO 7241-B.
- Compatible with PARKER 60 Series, FASTER HNV Series, AEROQUIP FD45 Series and HANSEN HK Series.

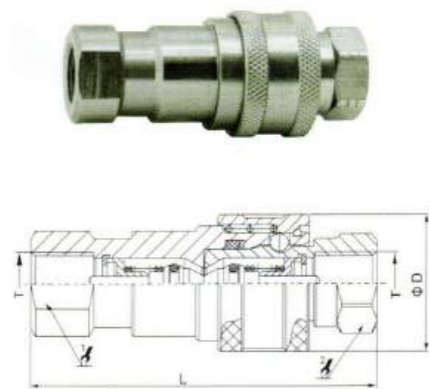


Application

QRC are used across the spectrum of hydraulic applications. These Double Shut-Off couplings can be found any where that fluid transfer lines need to be connected and disconnected for operation or maintenance of equipment, and a loss of fluid is undesirable.

QRC are used in construction equipment, Forestry equipment, agricultural machinery, oil tools, Oil equipment, steel mill machinery, and other demanding hydraulic applications.

Body Sizes (in)	1/8	1/4	3/8	1/2	3/4	1
Rated Pressure (PSI)	5000	5000	4000	4000	4000	4000
Rated Flow (GPM)	1	3	6	12	28	50
Temperature Range (std seals)	-20°C to -120°C					
Standard seal material	NBR					



Code	ISO	L	ØD	1	2
QRC-B 04	6.3	72.0	28.5	19.0	19.0
QRC-B 06	10.0	80.5	35.0	22.0	24.0
QRC-B 08	12.5	93.5	44.5	27.0	28.5
QRC-B 12	20.0	112.5	54.0	34.0	36.0
QRC-B 16	25.0	126.5	63.5	41.0	41.0



Thread Locked Type Hydraulic Quick Coupling (Steel)

KZE-B - npt

Feature

- Poppet valves available to prevent uncoupled leakage.
- Poppet valves open automatically when coupled, with in rated working pressure, to keep the flow expedite.
- Dependable ball-locking mechanism holds the mating halves together.
- Socket and plug are precision machined from solid bar stock.
- Compatible with PARKER 60 Series, FASTER HNV Series, AEROQUIP FD45 Series and HANSEN HK Series.



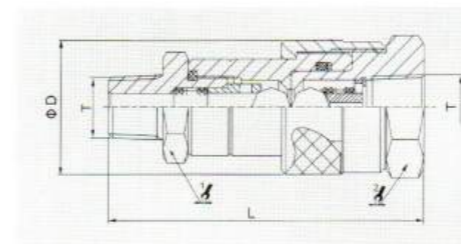
Application

KZE-B Series Couplings with their threaded union locking system and precision ball-type check valves, are designed for extreme high pressure application such as portable hydraulic jacks.

Body Sizes (in)	1/4	3/8
Rated Pressure (PSI)	10 000	10 000
Rated Flow (GPM)	3	6
Temperature Range (std seals)	-20°C to -120°C	
Standard seal material	NBR	



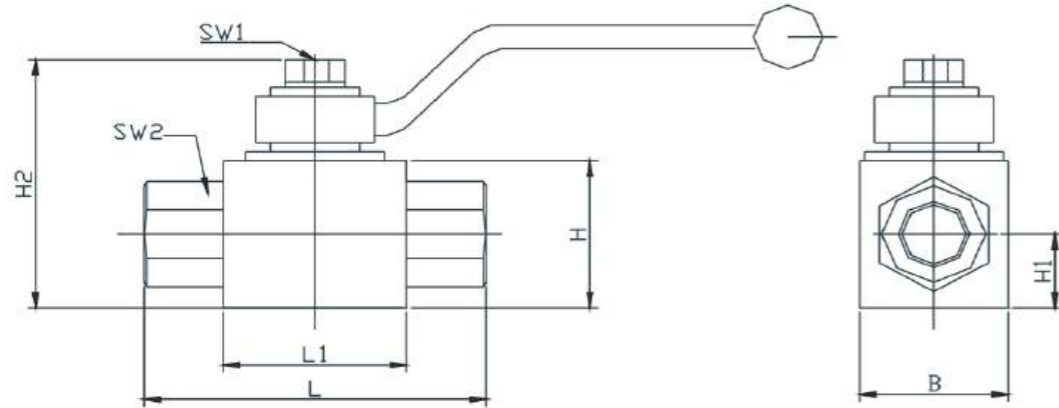
Code	ISO	L	ØD	1	2
QRC-KB 04	6.3	74.5	28.5	22.0	19.0
QRC-KB 06	10.0	83.5	35.0	25.0	32.0



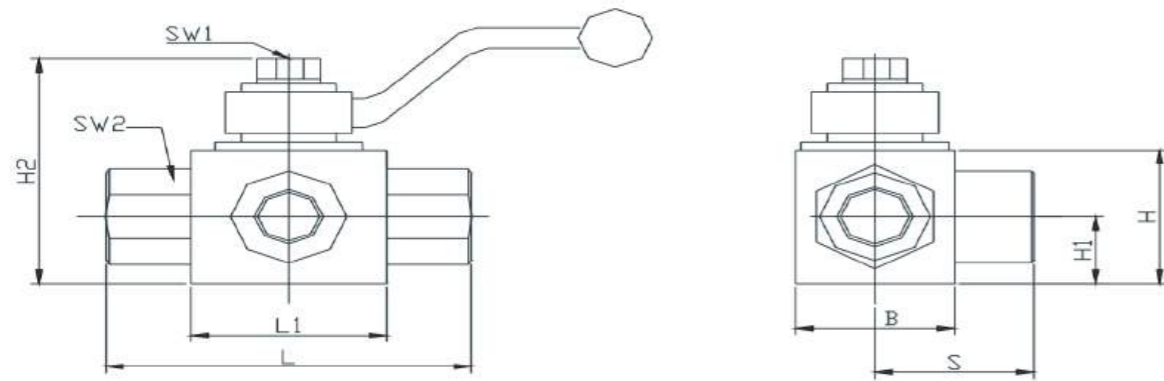


- (1) Product code
KHB-Valve block Ball-shaped DN04-25/40
KHM-Sleeves Ball-shaped DN32-50
- (2) Thread size or the pipe diameter and connection type
- (3) Valve and joints material:
1-Carbon steel 4-Stainless Steel
- (4) Ball and spindle material control:
1-Carbon steel 4-Stainless Steel
- (5) Tel seal material:
1-POM 4-Polyterafluoroethylene 5-PEEK
- (6) Joint seal and Control spindle seal:
2-NBR 4-FPM 6-EPDM
- (7) Handle Type:
04-Casting zinc crooked handle
05-Steel straight handle
06-Steel crooked handle
- (8) Surface treatment: Please specify other requirements
- (9) Compatibility:
OCCA CRH12, GEMELS GE2, PI ISTERBKH, MHABKH, HOLMBURY HCV-2, HYDACKHB

KHB(BKH)



KHB3K



Stainless Steel Hose & Braid

SH 304 / SH 316



Feather

Range of temperature -240° to 650°C Degree

Fire resistance

Moisture resistance

Corrosion resistance

Conductive nature

High physical strength

Flexible and quick option for rigid piping and difficult location.

TECHNICAL DATA

Nominal Hose Size (in)	Nominal Hose Size (mm)	Braid Layers	Minimum Centerline Bend Radius (mm)		Pressure Rating at 23°C (kg/cm ²)			Weight (kg/mtr.)	Length mtrs
			Static	Dynamic	Max Working	Max Test	Nominal Burst		
1/4"	6	0	25	85	12	18	140	0.076	50
		1			120	180	480		
		2			192	288	768		
5/16"	8	0	32	125	10	15	120	0.087	50
		1			100	150	400		
		2			160	240	640		
3/8"	10	0	38	140	9	14	100	0.112	50
		1			90	135	360		
		2			144	216	576		
1/2"	12	0	45	140	9	14	90	0.118	50
		1			80	128	320		
		2			128	192	512		
5/8"	16	0	58	160	8	12	85	0.195	50
		1			70	105	280		
		2			112	168	448		
3/4"	20	0	70	170	4	6	65	0.250	50
		1			64	96	256		
		2			102	154	410		
1"	25	0	85	190	3	5	55	0.355	30
		1			50	75	200		
		2			80	120	320		
1 1/4"	32	0	105	260	2	3	50	0.045	30
		1			40	60	160		
		2			64	96	256		
1 1/2"	40	0	130	300	1	2	45	0.682	30
		1			35	53	140		
		2			56	84	224		
2"	50	0	160	320	1	2	45	0.880	30
		1			30	45	120		
		2			48	72	192		

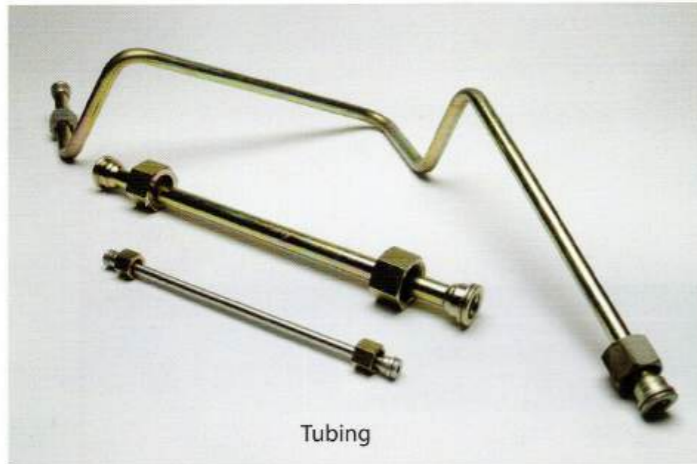
The above values are applicable for Aeroflex Braided Hoses & Assemblies * The above pressure ratings are for fluid and ambient temperature of 20°C. For higher temperatures apply correction factors as per Table III. *The burst pressure is 4 times the maximum working pressure. *The above technical data is subject to change on account of design improvement.



Hose Protection



Pressure gauge



Tubing



Hose Clip



Superior Clamps



Stainless steel Braiding

Seal & O Ring



Pipe Clamp

Spring Guard





STEINER



Hose Crimping Machine (Manual type)



Model	PI6HP
Crimping force(KN/Ton)	955/95
Hose crimping range(mm)	6-45
Free Die	6 sets
Die specifications	14.16.19.23.27.31
Maximum opening(mm)	20
Max opening without dies	59
Motor power	Hand pump
Master die D/L(mm)	39/64
Quality assurance	one year
Machine size (length*width*height mm)	330*410*290
Total weight	35KG
Packaging size	480*480*470



Crimping Machine (Manual type)

Product name	P32MS
Crimping force(KN)	2000
Crimped range	6-87 mm(1/4-3" inch)
Free mold	13 sets (minimum 2 points, maximum 25 inches)
Random mold specifications	14.16.19.22.26.30.34.39.45.51.57.63.69
Scope of closing	33
Mode of operation	Finnish control system
Motor power	Taiwan 4KW
oil pump displacement	Taiwan 11 displacement gear pump
voltage	220V 380V/50HZ fean be customized according to customer requirements)
quality assurance	one year warranty
Hydraulic oil	46#(32L)
Total weight	320kg
Packaging size	780*680*840 680*330*650



Crimping Machine (Manual type)



Product name	P20DC-12V
place of production	Chinese
Hose Crimped range	6-61mm
Crimping force(KN)	1370
DIES	P20
Maximum opening (mm)	25
Max opening without dies (mm)	109
Motor power	2.5kw
Closing speed of master dies(sec)	10
voltage	DC12V
quality assurance	one year
Hydraulic oil	#46
Total weight	90kg
Packaging size	



PROVIDE EXCELLENT SERVICE FOR CUSTOMERS

VL-P140

卷边机 CRIMPING CHINE



高效
EFFICIENT



高精度
HIGH PRECISION



智能化
INTELLIGENT



P140 CNC FUNCTION FEATURES P140 CNC FUNCTION FEATURES

Project Project	Unit Unit
*Open the size can be set	※Deductible count
※The size of the buckle can be made up.	※Important deduction parameters are saved.
*Deducting pressure and keeping the delay	* Deduction pressure display
*Variable speed	*Automatic start and stop
※Pressure-deducting pressure quality monitoring	※Non-standard moulds are applicable

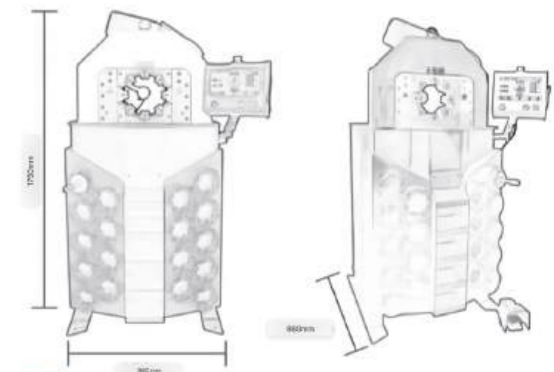


TECHNICAL PARAMETER

Project Project	Unit Unit
Crimping range (mm)	2-222
Crimping range (inches)	0.24-8.66
Crimping force (KN)	3200
Crimping force (T)	320
Closing speed of master dies(sec)	11
Max hose size (inch)	4
DIES	P32&P140
Maximum opening (mm)	82
Maximum opening (without die mm)	222
Master die D/L (mm)	140/99
Master die D/L (inches)	5.51/3.9
Motor power (KW/HP)	7.5/10.5
Oil tank volume (L)	120
Production capacity Crimping/hour	2400
Motor voltage (V):	200.220.380.415.440.480

VL-P140 Model Design Features DESIGN FEATURES
Ruibao P140 can buckle up to a 4-inch industrial tube, with a maximum passing size of 222 mm; it is suitable for mass production, with high efficiency, high confidentiality and reasonable operating height, which can effectively reduce the labour intensity in the operator's production.

[PRODUCT SIZE PRODUCT SIZE



Mould P32 DIES

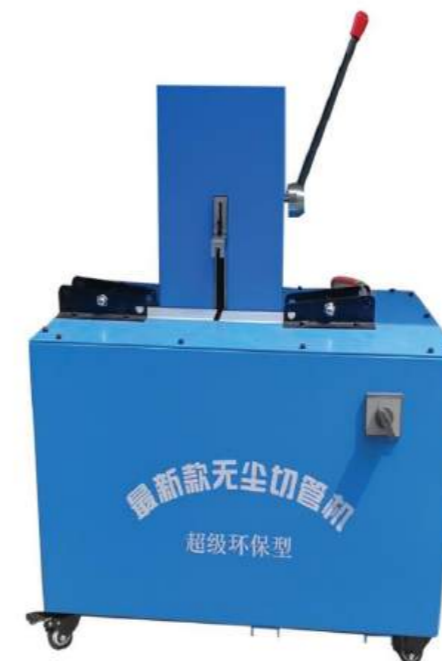
Number	Inner diameter (D)	Length (L)	Deduction range
P32/06	6	55	6.0-8.0
P32/08*	8	55	8.0-10.0
P32/10'	10	55	10.0-12.0
P32/12*	12	55	12.0-14.0
P32/14	14	55	14.0-16.0
P32/16	16	55	16.0-19.0
P32/19	19	55	19.0-22.0
P32/22	22	70	22.0-26.0
P32/26	26	70	26.0-30.0
P32/30	30	70	30.0-34.0
P32/34	34	75	34.0-39.0
P32/39	39	75	39.0-45.0
P32/45	45	90	45.0-51.0
P32/51	51	90	51.0-57.0
P32/57	57	100	57.0-63.0
P32/63	63	110	63.0-69.0
P32/69	69	110	69.0-74.0
P32/74	74	110	74.0-78.0
P32/78	78	110	78.0-84.0

Pno	D	L	Deduction range
P140/84	84	110	84.0-92.0
P140/92	92	110	92.0-100.0
P140/100	100	110	100.0-108.0
P140/108*	108	110	108.0-116.0
P140/116*	116	110	116.0-126.0
P140/126*	126	110	126.0-136.0

*:Non-standard mould
Bring a set of secondary moulds



Model	SV stripping machine (with pedals)
Scope of glued hose	6mm-51mm
Random core	9 sets (1/4-1"1/12)
Motor power	500W
Rotation	145
Voltage	220V
Long mm	500
Width mm	400
High mm	900
Total weight	63kg
Wooden box size mm	510*410*920
Revolutionary upgrade content: independent knife head Quickly change each specification No need to adjust the knife frequently, Significantly increase work efficiency Improve the stability of oil pipeline quality	





Since 1972
The Best Return on Investment



SUMITOMO
RUBBER INDUSTRIES



ADUANSTAR★



柔软
Flexibility

纤细
Slim

耐磨
Abrasion

耐压
Impulse Pressure

抗老化
Anti-aging

弯曲半径
Bend Radius

构造
Hose structure

内面胶: 耐油性合成胶
INNER COVER OIL RESISTANT SYNTHETIC RUBBER
补强层: 硬钢丝
REINFORCEMENT STEEL
外面胶: 耐磨、耐候性合成胶
OUTER COVER OIL&OZONE RESISTANT SYNTHETIC RUBBER

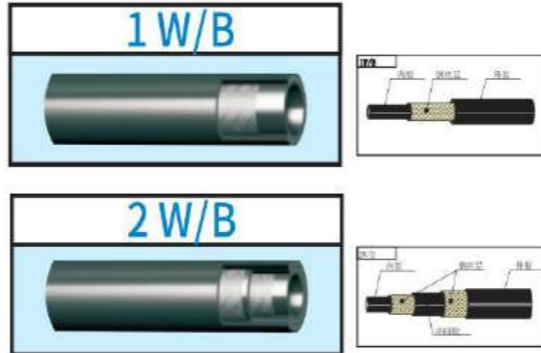
适用流体
Recommended fluids

一般矿物性发动机油
MINERAL SYNTHETIC OIL

温度范围
Operating temperature

-40°C~+100°C

软管构造、补强层
Hose structure&reinforcement



DIB-1SN	称呼	I.D.		O.D.		Max.W.P.		Min.B.P.		Min.B.R.		Weight		
		分/寸	mm	inch	mm	inch	MPa	psi	MPa	psi	mm	inch	g/m	lbs/ft
		-6	2分	6.6	0.26	13.4	0.53	22.5	3,250	90.0	13,000	60	2.36	230
-8	2.5分	8.1	0.32	15.0	0.59	21.5	3,150	86.0	12,480	65	2.56	270	0.17	
-10	3分	10.0	0.39	17.1	0.67	18.0	2,600	72.0	10,400	70	2.76	325	0.21	
-12	4分	13.0	0.51	20.4	0.80	16.0	2,320	64.0	9,280	80	3.15	420	0.27	
-16	5分	15.9	0.63	23.8	0.94	13.0	1,880	52.0	7,520	120	4.72	500	0.32	
-19	6分	19.3	0.76	27.5	1.08	10.5	1,520	42.0	6,080	130	5.12	605	0.38	
-25	1寸	25.4	1.00	35.9	1.41	8.8	1,280	35.2	5,120	170	6.69	970	0.61	
-31	1.2寸	31.8	1.25	43.1	1.70	6.3	920	25.2	3,680	210	8.27	1,170	0.74	
-38	1.5寸	38.1	1.50	50.2	1.98	5.0	725	20.0	2,900	250	9.84	1,465	0.93	
-51	2寸	50.8	2.00	63.5	2.50	4.0	580	16.0	2,320	310	12.20	2,015	1.27	

DIB-2SN	称呼	I.D.		O.D.		Max.W.P.		Min.B.P.		Min.B.R.		Weight		
		分/寸	mm	inch	mm	inch	MPa	psi	MPa	psi	mm	inch	g/m	lbs/ft
		-6	2分	6.6	0.26	14.9	0.59	40.0	5,800	160.0	23,200	80	3.15	360
-8	2.5分	8.1	0.32	16.6	0.65	35.0	5,100	140.0	20,400	90	3.54	435	0.28	
-10	3分	10.0	0.39	18.7	0.74	33.0	4,780	132.0	19,120	100	3.94	535	0.34	
-12	4分	13.0	0.51	21.7	0.85	27.5	4,000	110.0	16,000	100	3.94	630	0.40	
-16	5分	15.9	0.63	25.0	0.98	25.0	3,620	100.0	14,480	120	4.72	740	0.47	
-19	6分	19.3	0.76	29.2	1.15	21.5	3,120	86.0	12,480	140	5.51	920	0.58	
-25	1寸	25.4	1.00	37.9	1.49	16.5	2,400	66.0	9,600	180	7.09	1,415	0.90	
-31	1.2寸	31.8	1.25	46.9	1.85	12.5	1,800	50.0	7,200	220	8.66	1,915	1.21	
-38	1.5寸	38.1	1.50	53.9	2.12	9.0	1,300	36.0	5,200	260	10.24	2,255	1.43	
-51	2寸	50.8	2.00	66.6	2.62	8.0	1,150	32.0	4,600	320	12.60	3,005	1.90	

ADUANSTAR★

构造
Hose structure

内面胶: 耐油性合成胶
INNER COVER OIL RESISTANT SYNTHETIC RUBBER
补强层: 硬钢丝
REINFORCEMENT STEEL
外面胶: 耐磨、耐候性合成胶
OUTER COVER OIL&OZONE RESISTANT SYNTHETIC RUBBER

适用流体
Recommended fluids

一般矿物性发动机油
MINERAL SYNTHETIC OIL

温度范围
Operating temperature

-40°C~+120°C

软管构造、补强层
Hose structure&reinforcement



DHD-4SP	称呼	I.D.		O.D.		Max.W.P.		Min.B.P.		Min.B.R.		Weight		
		分/寸	mm	inch	mm	inch	MPa	psi	MPa	psi	mm	inch	g/m	lbs/ft
		-10	3分	9.5	0.37	21.3	0.84	44.5	6,350	178.0	25,400	130	5.12	765
-12	4分	12.9	0.51	24.3	0.96	41.5	6,000	166.0	24,000	140	5.51	925	0.59	
-16	5分	16.0	0.63	28.0	1.10	38.0	5,500	152.0	22,000	160	6.30	1,115	0.71	
-19	6分	19.2	0.76	31.8	1.25	38.0	5,500	152.0	22,000	200	7.87	1,450	0.92	
-25	1寸	25.4	1.00	39.4	1.55	32.5	4,700	130.0	18,800	230	9.06	1,945	1.23	

DHD-4SH	称呼	I.D.		O.D.		Max.W.P.		Min.B.P.		Min.B.R.		Weight		
		分/寸	mm	inch	mm	inch	MPa	psi	MPa	psi	mm	inch	g/m	lbs/ft
		-19	6分	19.2	0.76	31.8	1.25	42.0	6,000	168.0	24,000	230	9.06	1,450
-25	1寸	25.4	1.00	38.8	1.53	38.0	5,500	152.0	22,000	240	9.45	2,010	1.27	
-31	1.2寸	31.8	1.25	45.7	1.80	32.5	4,700	130.0	18,800	250	9.84	2,565	1.62	
-38	1.5寸	38.1	1.50	53.0	2.09	29.0	4,200	116.0	16,800	310	12.20	3,130	1.98	
-51	2寸	50.8	2.00	67.8	2.67	25.0	3,620	100.0	14,480	450	17.72	4,975	3.15	

DHD-R15	称呼	I.D.		O.D.		Max.W.P.		Min.B.P.		Min.B.R.		Weight		
		分/寸	mm	inch	mm	inch	MPa	psi	MPa	psi	mm	inch	g/m	lbs/ft
		-10	3分	9.5	0.37	21.3	0.84	42.0	6,100	168.0	24,400	130	5.12	765
-12	4分	12.9	0.51	24.3	0.96	42.0	6,100	168.0	24,400	140	5.51	925	0.59	
-16(外)	5分	16.0	0.63	28.0	1.10	42.0	6,100	168.0	24,400	160	6.30	1,115	0.71	
-19	6分	19.2	0.76	31.8	1.25	42.0	6,100	168.0	24,400	230	9.06	1,450	0.92	
-25	1寸	25.4	1.00	38.8	1.53	42.0	6,100	168.0	24,400	240	9.45	2,010	1.27	
-31	1.2寸	31.8	1.25	49.7	1.96	42.0	6,100	168.0	24,400	320	12.60	3,845	2.43	
-38	1.5寸	38.1	1.50	57.8	2.28	42.0	6,100	168.0	24,400	380	14.96	5,125	3.24	
-51	2寸	50.8	2.00	73.1	2.88	42.0	6,100	168.0	24,400	480	18.90	7,390	5.00	

ADUANSTAR★



Application: Medium pressure hydraulic application including mobile, machine tooling and agricultural application, using oil based or water based hydraulic fluids.



标识 Branding:

Continental SR1SN-06 SAE 100R1AT/1SN 3/8" (DN10) 2615 PSI 14.2 MPa 130 BAR 1.4M 30-40-140-44 400 MEE110477

Inner Tube: Synthetic Rubber
Reinforcement: one braids of high-tensile steel wire
Cover: Synthetic Rubber
Temperature Range: -40 F to +212 F (-40°C to +100°C)
Applicable Standards: EN853 1SN, SAE J517 100R1S, B/T 3683.1 1SN, ISO 1436 1SN, certificate of MT 98 MA, US MSHA and SAE J1942/U.S. Coast Guard(no MA for 2.1/2" and 3")
Safe factor: 4:1

Table with columns: Product Number, Hose ID, W.D., C.O.D., Max W.P., Min B.R., Weight. Rows include SR1SN-04-06 to SR1SN-48-76.



Application: High pressure hydraulic oil lines used in construction, machine tooling and agricultural application using oil based or water based hydraulic fluids.



标识 Branding:

Continental SR2SN-06 SAE 100R2AT/2SN 3/8" (DN10) 4800 PSI 33.1 MPa 300 BAR 1.4M 30-40-140-44 400 MEE110477

Inner Tube: Synthetic Rubber
Reinforcement: Two braids of high-tensile steel wire
Cover: Synthetic Rubber
Temperature range: -40 F to +212 F (-40 to +100°C)
Applicable Standards: EN853 2SN, SAE J517 100R2S, B/T 3683.1 2SN, ISO 1436 2SN, certificate of MT 98 MA, US MSHA and SAE J1942/U.S. Coast Guard(no MA for 2.1/2 and 3 inch)
Safe factor: 4:1

Table with columns: Product Number, Hose ID, W.D., C.O.D., Max W.P., Min B.R., Weight. Rows include SR2SN-04-06 to SR2SN-48-76.



S4SP

Application: Medium pressure applications used for oil based or water based hydraulic fluids.



标识 Branding:



Inner Tube: Synthetic Rubber

Reinforcement: Four alternating layers of spiraled high-tensile steel wire.

Cover: Synthetic Rubber

Temperature Range: -40 F to +212 F (-40°C to +100°C)

Applicable Standards: GB/T 10544 4SP, EN 856 4SP, MT98, Certificate of MA and US MSHA

Safe factor: 4:1

# Product Number 产品编号	Hose ID 胶管内径		W.D. 外层钢丝直径		C.O.D 外径直径		Max W.P. 最大工作压力		Min B.R. 最小弯曲半径	Weight 参考重量	
	mm	in	Min 最小 mm	Max 最大 mm	Min 最小 mm	Max 最大 mm	Mpa	psi			
S4SP-06-10	10	3/8	9.3	10.1	16.9	18.1	22.2	44.5	6455	180	0.71
S4SP-08-13	12.5	1/2	12.3	13.5	19.4	21.0	25.4	41.5	6020	230	0.82
S4SP-10-16	16	5/8	15.5	16.7	23.0	24.6	29	35.0	5075	250	1.09
S4SP-10-16	16	5/8	15.5	16.7	23.0	24.6	29	40.0	5800	250	1.18
S4SP-12-19	19	3/4	18.6	19.8	27.4	29.0	33	38.0	5510	300	1.40
S4SP-16-25	25	1	25.0	26.4	34.5	36.1	40.9	32.0	4640	340	1.85
S4SP-20-32	31.5	1 1/4	31.4	33	45.0	47.0	52.4	21.0	3045	460	2.96
S4SP-24-38	38	1 1/2	37.7	39.3	51.4	53.4	58.8	18.5	2683	560	3.37
S4SP-32-51	51	2	50.4	52	64.3	66.3	71.4	16.5	2393	660	4.54
S4SP-40-63	63	2 1/2	63.1	65.1	76.5	78.5	84	16.5	2393	760	6.19
S4SP-48-76	76	3	74.6	77.8	89	92	96	21	3050	900	7.34

S4SH

Application: High pressure applications used for oil based or water based hydraulic fluids.



标识 Branding:



Inner Tube: Synthetic Rubber

Reinforcement: Four alternating layers of spiraled high-tensile steel wire.

Cover: Synthetic Rubber

Temperature Range: -40 F to +212 F (-40°C to +100°C)

Applicable Standards: GB/T 10544 4SH, EN 856 4SH, MT 98 Ma and US MSHA

Safe factor: 4:1

# Product Number 产品编号	Hose ID 胶管内径		W.D. 外层钢丝直径		C.O.D 外径直径		Max W.P. 最大工作压力		Min B.R. 最小弯曲半径	Weight 参考重量	
	mm	in	Min 最小 mm	Max 最大 mm	Min 最小 mm	Max 最大 mm	Mpa	psi			
S4SH-12-19	19	3/4	18.6	19.8	27.6	29.2	33	42.0	6090	280	1.57
S4SH-16-25	25	1	25	26.4	34.4	36	39.9	38.0	5510	340	2.10
S4SH-20-32	31.5	1 1/4	31.4	33	40.9	42.9	47.1	35.0	5080	460	2.63
S4SH-24-38	38	1 1/2	37.7	39.3	47.8	49.8	55.1	29.0	4205	560	3.19
S4SH-32-51	51	2	50.4	52	62.2	64.2	69.7	25.0	3650	700	4.71



DR1SN

Application: Medium pressure hydraulic oil lines used in mobile, machine tool and agricultural application using high temperature oil based or water based hydraulic fluids



标识 Branding:



Inner Tube: Synthetic Rubber

Reinforcement: one braid of high-tensile steel wire

Cover: Synthetic Rubber

Temperature Range: -40 F to +302 F (-40°C to +150°C)

Applicable Standards: EN853 1SN, SAE J517 100R1S, GB/T 3683.1 1SN, ISO 1436 1SN, US MSHA

Safe factor: 4:1

# Product Number 产品编号	Hose ID 胶管内径		W.D. 外层钢丝直径		C.O.D 外径直径		Max W.P. 最大工作压力		Min B.R. 最小弯曲半径	Weight 参考重量	
	mm	in	Min 最小 mm	Max 最大 mm	Min 最小 mm	Max 最大 mm	Mpa	psi			
DR1SN-04-06	6.3	1/4	6.2	7	10.6	11.6	14.1	22.5	3250	100	0.24
DR1SN-05-08	8	5/16	7.7	8.5	12.1	13.3	15.7	21.5	3120	115	0.26
DR1SN-06-10	10	3/8	9.3	10.2	14.5	15.7	18.1	18	2615	130	0.34
DR1SN-08-13	12.5	1/2	12.3	13.5	17.5	19.1	21.4	16	2320	180	0.42
DR1SN-10-16	16	5/8	15.5	16.7	20.6	22.2	24.5	13	1890	200	0.50
DR1SN-12-19	19	3/4	18.6	19.8	24.6	26.2	28.5	10.5	1530	240	0.63
DR1SN-16-25	25	1	25	26.4	32.5	34.1	36.6	8.8	1280	300	0.94
DR1SN-20-32	31.5	1 1/4	31.4	33	39.3	41.7	44.8	6.3	920	420	1.27
DR1SN-24-38	38	1 1/2	37.7	39.3	45.6	48	52.1	5	730	500	1.53
DR1SN-32-51	51	2	50.4	52	58.7	61.7	65.5	4	580	630	2.15
DR1SN-38-60	60	2 3/8	59.6	61.2	-	70.3	73.1	5	720	650	2.67
DR1SN-40-63	63	2 1/2	63.1	65.1	71.5	73.5	77.4	5	720	760	2.89

DR2SN

Application: High pressure hydraulic used in construction, machine tooling and agricultural application using oil based or water based hydraulic fluids.



标识 Branding:



Inner Tube: Synthetic Rubber

Reinforcement: Two braids of high-tensile steel wire

Cover: Synthetic Rubber

Temperature range: -40 F to +302 F (-40°C to +150°C)

Applicable Standards: EN853 2SN, SAE J517 100R2S, GB/T 3683.1 2SN, ISO 1436 2SN, US MSHA

Safe factor: 4:1

# Product Number 产品编号	Hose ID 胶管内径		W.D. 外层钢丝直径		C.O.D 外径直径		Max W.P. 最大工作压力		Min B.R. 最小弯曲半径	Weight 参考重量	
	mm	in	Min 最小 mm	Max 最大 mm	Min 最小 mm	Max 最大 mm	Mpa	psi			
DR2SN-04-06	6.3	1/4	6.2	7	12.1	13.3	15.7	40	5800	100	0.37
DR2SN-05-08	8	5/16	7.7	8.5	13.7	14.9	17.3	35	5075	115	0.42
DR2SN-06-10	10	3/8	9.3	10.2	16.1	17.3	19.7	33	4800	130	0.53
DR2SN-08-13	12.5	1/2	12.3	13.5	19	20.6	23	27.5	4000	180	0.63
DR2SN-10-16	16	5/8	15.5	16.7	22.2	23.8	26.2	25	3630	200	0.73
DR2SN-12-19	19	3/4	18.6	19.8	26.2	27.8	30.1	21.5	3120	240	0.93
DR2SN-16-25	25	1	25	26.4	34.1	35.7	38.9	16.5	2400	300	1.38
DR2SN-20-32	31.5	1 1/4	31.4	33	43.3	45.7	49.5	12.5	1820	420	2.23
DR2SN-24-38	38	1 1/2	37.7	39.3	49.6	52	55.9	9	1310	500	2.54
DR2SN-32-51	51	2	50.4	52	62.3	64.7	68.6	8	1160	630	3.09
DR2SN-40-63	63	2 1/2	63.1	65.1	74.6	77.8	81.8	7	1020	760	3.66



LR2SN

Application: High pressure hydraulic oil lines used in mobile, machine tool and agricultural application where lower temperature oil based or water based hydraulic fluids are a factor.



标识 Branding:

Continental **LR2SN-16 SAE 100R2AT/2SN (LOW TEMP) 1" (DN25) W.P. 2400PSI** 16.0 MPa (2400 PSI) **MSHA 2G-IC-14C/46**

Inner Tube: Synthetic Rubber

Reinforcement: Two braids of high-tensile steel wire

Cover: Synthetic Rubber

Temperature range: -70 F to +212 F (-57°C to +100°C)

Applicable Standards: EN853 2SN, GB3683.1 2SN, SAE J517 R2S, ISO 1436 2SN, Certificate of US MSHA

Safe factor: 4:1

# Product Number 产品编号	Hose ID 软管内径		W.D. 外层钢丝直径		C.O.D 外径直径		Max W.P. 最大工作压力		Min B.R. 最小弯曲半径	Weight 参考重量	
	mm	in	Min 最小 mm	Max 最大 mm	Min 最小 mm	Max 最大 mm	Mpa	psi			
LR2SN-04-06	6.3	1/4	6.2	7	12.1	13.3	15.7	40	5800	100	0.36
LR2SN-05-08	8	5/16	7.7	8.5	13.7	14.9	17.3	35	5075	115	0.40
LR2SN-06-10	10	3/8	9.3	10.2	16.1	17.3	19.7	33	4800	130	0.53
LR2SN-08-13	12.5	1/2	12.3	13.5	19	20.6	23	27.5	4000	180	0.61
LR2SN-10-16	16	5/8	15.5	16.7	22.2	23.8	26.2	25	3630	200	0.71
LR2SN-12-19	19	3/4	18.6	19.8	26.2	27.8	30.1	21.5	3120	240	0.90
LR2SN-16-25	25	1	25	26.4	34.1	35.7	38.9	16.5	2400	300	1.32
LR2SN-20-32	31.5	1 1/4	31.4	33	43.3	45.7	49.5	12.5	1820	420	2.12
LR2SN-24-38	38	1 1/2	37.7	39.3	49.6	52	55.9	9	1310	500	2.41
LR2SN-32-51	51	2	50.4	52	62.3	64.7	68.6	8	1160	630	2.93
LR2SN-40-63	63	2 1/2	63.1	65.1	74.6	77.8	81.8	7	1020	760	3.47

L4SH

Application: High pressure applications used for oil based or water based hydraulic fluids in low temperature environment



标识 Branding:

Continental **L4SH-16-25 EN856 (LOW TEMP) 1" (DN25) W.P. 28MPa (5510psi)** **MSHA 2G-IC-14C/46**

Inner Tube: Synthetic Rubber

Reinforcement: Four alternating layers of spiralled high-tensile steel wire.

Cover: Synthetic Rubber

Temperature Range: -70 F to +250 F (-57°C to +121°C)

Applicable Standards: GB/T 10544 4SH, EN 856 4SH, Certificate of US MSHA

Safe factor: 4:1

# Product Number 产品编号	Hose ID 软管内径		W.D. 外层钢丝直径		C.O.D 外径直径		Max W.P. 最大工作压力		Min B.R. 最小弯曲半径	Weight 参考重量	
	mm	in	Min 最小 mm	Max 最大 mm	Min 最小 mm	Max 最大 mm	Mpa	psi			
L4SH-12-19	19	3/4	18.6	19.8	27.6	29.2	33	42.0	6000	280	1.55
L4SH-16-25	25	1	25	26.4	34.4	36	39.9	38.0	5510	340	2.08
L4SH-20-32	31.5	1 1/4	31.4	33	40.9	42.9	47.1	35.0	5080	460	2.60
L4SH-24-38	38	1 1/2	37.7	39.3	47.8	49.8	55.1	29.0	4205	560	3.15
L4SH-32-51	51	2	50.4	52	62.2	64.2	69.7	25.0	3650	700	4.63



BRIDGESTONE

普利司通



PA03

Maximum Working Pressure
**3.5MPa
500Psi**

Catalog Number	I.D.		O.D.		Max.W.P.		Min.B.P.		Min.B.R.		Weight		Reinforcement	Coupling Series
	inch	mm	inch	mm	psi	MPa	psi	MPa	inch	mm	lbs/ft	g/m		
PA0304	1/4	6.3	0.55	14.0	500	3.5	2,000	14.0	2.17	55	0.10	150	4C	UL
PA0306	3/8	9.5	0.69	17.4	500	3.5	2,000	14.0	2.56	65	0.14	210		
PA0308	1/2	12.7	0.84	21.3	500	3.5	2,000	14.0	3.54	90	0.19	280		
PA0310	5/8	15.9	0.93	23.5	500	3.5	2,000	14.0	4.33	110	0.20	300	2C	UL
PA0312	3/4	19.0	1.24	31.4	500	3.5	2,000	14.0	5.31	135	0.39	590		
PA0316	1	25.4	1.48	37.5	500	3.5	2,000	14.0	6.69	170	0.49	740	4C	UL
PA0320	1.1/4	31.8	1.64	41.7	500	3.5	2,000	14.0	7.87	200	0.77	1,150		
PA0324	1.1/2	38.1	1.90	48.3	500	3.5	2,000	14.0	9.84	250	0.90	1,350	1W	LC

PA07

Maximum working Pressure
**7.0MPa
1,000Psi**

Catalog Number	I.D.		O.D.		Max.W.P.		Min.B.P.		Min.B.R.		Weight		Reinforcement	Coupling Series
	inch	mm	inch	mm	psi	MPa	psi	MPa	inch	mm	lbs/ft	g/m		
PA0704	1/4	6.3	0.52	13.2	1,000	7.0	4,000	28.0	2.17	55	0.15	220	1W	UZ
PA0706	3/8	9.5	0.64	16.2	1,000	7.0	4,000	28.0	2.95	75	0.22	330		UB
PA0708	1/2	12.7	0.75	19.0	1,000	7.0	4,000	28.0	3.15	80	0.25	380		
PA0710	5/8	15.9	0.93	23.6	1,000	7.0	4,000	28.0	4.33	110	0.34	510	1W	UB
PA0712	3/4	19.0	1.04	26.5	1,000	7.0	4,000	28.0	5.12	130	0.40	600		
PA0716	1	25.4	1.32	33.5	1,000	7.0	4,000	28.0	6.89	175	0.57	850		
PA0720	1.1/4	31.8	1.71	43.5	1,000	7.0	4,000	28.0	8.66	220	1.07	1,610	2W	UZ
PA0724	1.1/2	38.1	1.98	50.2	1,000	7.0	4,000	28.0	10.63	270	1.27	1,910		Hw
PA0732	2	50.8	2.50	63.4	1,000	7.0	4,000	28.0	13.78	350	1.66	2,490		

PA28

Maximum working Pressure
**27.5MPa
4,000Psi**

Catalog Number	I.D.		O.D.		Max.W.P.		Min.B.P.		Min.B.R.		Weight		Reinforcement	Coupling Series
	inch	mm	inch	mm	psi	MPa	psi	MPa	inch	mm	lbs/ft	g/m		
PA2804	1/4	6.3	0.59	15.1	4,000	27.5	16,000	110.0	2.76	70	0.25	380	2W	UZ
PA2806	3/8	9.5	0.75	19.1	4,000	27.5	16,000	110.0	3.94	100	0.36	540		4S
PA2808-77	1/2	12.7	0.90	22.8	4,000	27.5	16,000	110.0	4.33	110	0.52	780		
PA2810-77	5/8	15.9	1.06	26.8	4,000	27.5	16,000	110.0	5.51	140	0.67	1,000		
PA2812-77	3/4	19.0	1.17	29.6	4,000	27.5	16,000	110.0	6.69	170	0.75	1,130	4S	UZ
PA2816-77	1	25.4	1.44	36.7	4,000	27.5	16,000	110.0	8.66	220	1.17	1,750		
PA2820	1.1/4	31.8	1.79	45.5	4,000	27.5	16,000	110.0	11.02	280	1.74	2,610	6S	KN
PA2824	1.1/2	38.1	2.20	55.9	4,000	27.5	16,000	110.0	12.60	320	2.93	4,390		KD
PA2832	2	50.8	2.95	75.0	4,000	27.5	16,000	110.0	16.93	430	5.27	7,900		

PA35

Maximum working Pressure
**34.5MPa
5,000Psi**

Catalog Number	I.D.		O.D.		Max.W.P.		Min.B.P.		Min.B.R.		Weight		Reinforcement	Coupling Series
	inch	mm	inch	mm	psi	MPa	psi	MPa	inch	mm	lbs/ft	g/m		
PA3504	1/4	6.3	0.60	15.2	5,000	34.5	20,000	138.0	3.15	80	0.26	390	2W	UZ
PA3506	3/8	9.5	0.76	19.2	5,000	34.5	20,000	138.0	4.33	110	0.37	550		4S
PA3508-77	1/2	12.7	0.90	22.8	5,000	34.5	20,000	138.0	5.91	150	0.53	800		
PA3510-77	5/8	15.9	1.06	26.8	5,000	34.5	20,000	138.0	6.69	170	0.67	1,000		
PA3512-77	3/4	19.0	1.17	29.6	5,000	34.5	20,000	138.0	8.66	220	0.75	1,130	4S	UZ
PA3516-77	1	25.4	1.47	37.4	5,000	34.5	20,000	138.0	11.02	280	1.33	2,000		
PA3520	1.1/4	31.8	1.93	49.1	5,000	34.5	20,000	138.0	12.99	330	2.57	3,850	6S	KN
PA3524	1.1/2	38.1	2.20	56.0	5,000	34.5	20,000	138.0	14.96	380	2.96	4,440		EX
PA3532	2	50.8	2.96	75.2	5,000	34.5	20,000	138.0	19.69	500	5.33	8,000		

HQ35

Maximum working Pressure
**34.5MPa
5,000Psi**

Catalog Number	I.D.		O.D.		Max.W.P.		Min.B.P.		Min.B.R.		Weight		Reinforcement	Coupling Series
	inch	mm	inch	mm	psi	MPa	psi	MPa	inch	mm	lbs/ft	g/m		
HQ3508-77	1/2	12.7	0.88	22.4	5,000	34.5	20,000	138.0	4.72	120	0.50	750	4S	UB
HQ3510-77	5/8	15.9	1.05	26.6	5,000	34.5	20,000	138.0	6.30	160	0.66	990		
HQ3512-77	3/4	19.0	1.15	29.2	5,000	34.5	20,000	138.0	7.87	200	0.72	1,080		
HQ3516-77	1	25.4	1.45	36.9	5,000	34.5	20,000	138.0	9.45	240	1.30	1,950		
HQ3520	1.1/4	31.8	1.93	49.0	5,000	34.5	20,000	138.0	12.99	330	2.49	3,730	6S	UZ