

Ocypus

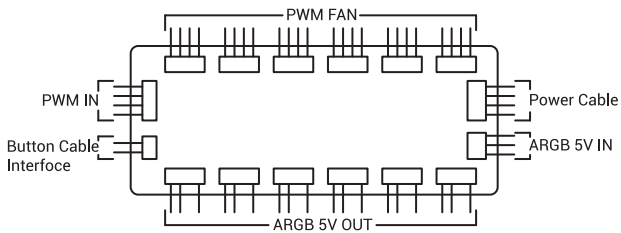
# Iota C70 SERIES

CASE



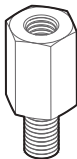
# FAN HUB

---



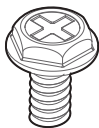
---

**A**



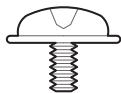
**x3**

**B**



**x6**

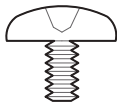
**C**



**x20**

---

**D**



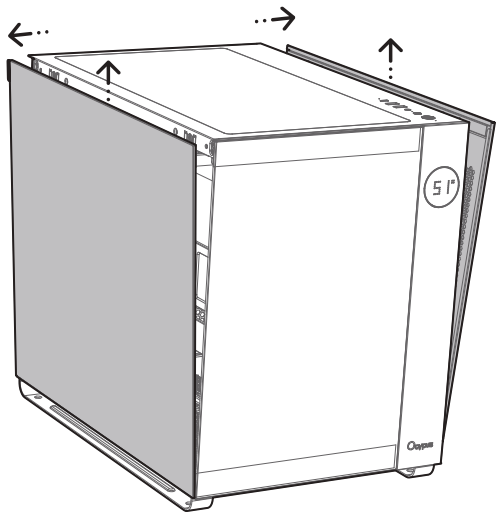
**x8**

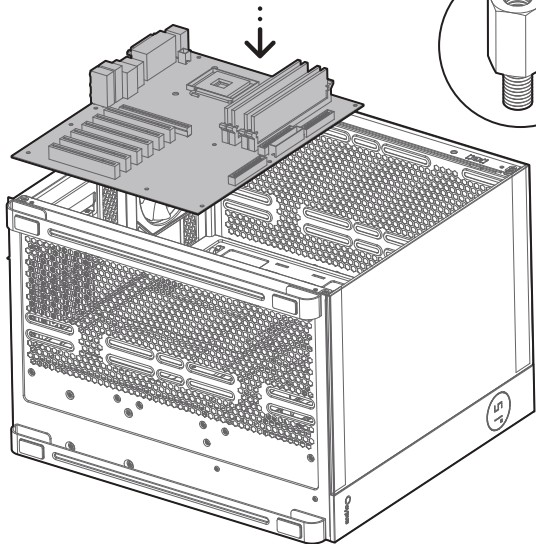
**E**

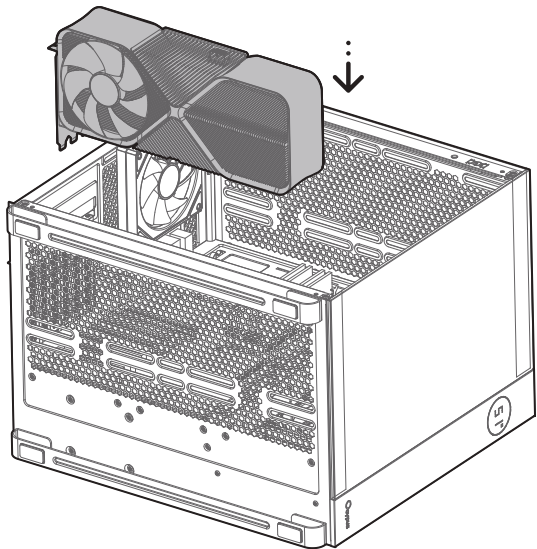


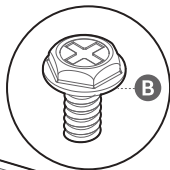
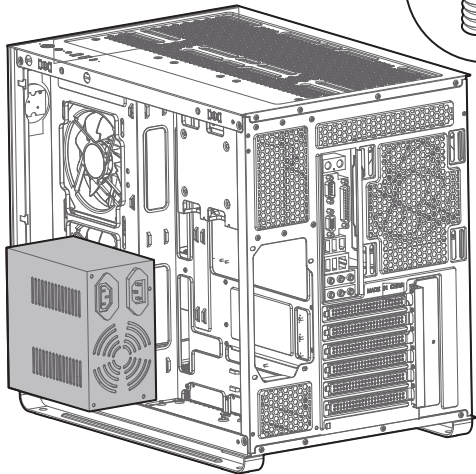
**x5**

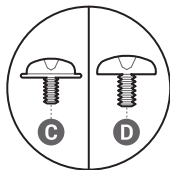
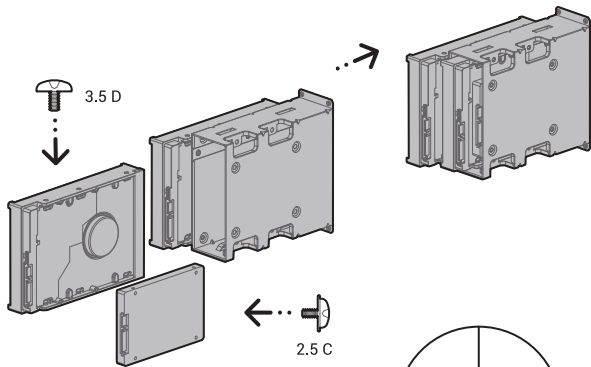
---



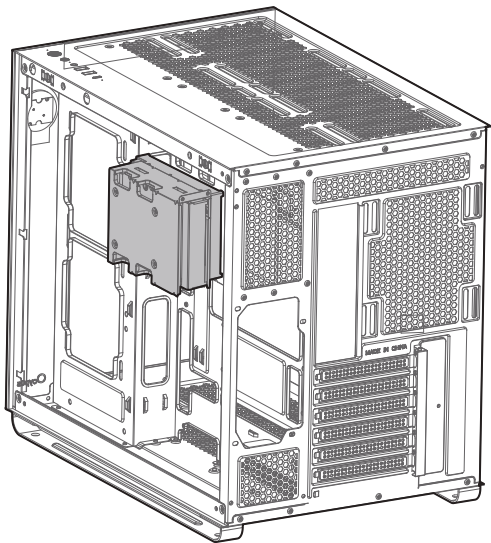


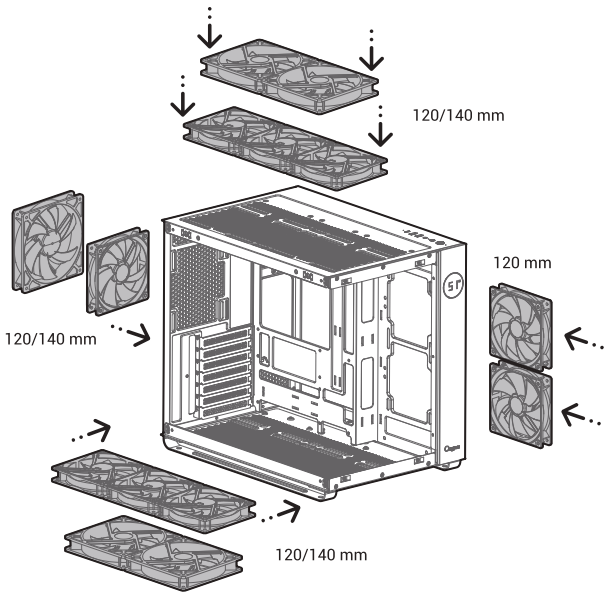


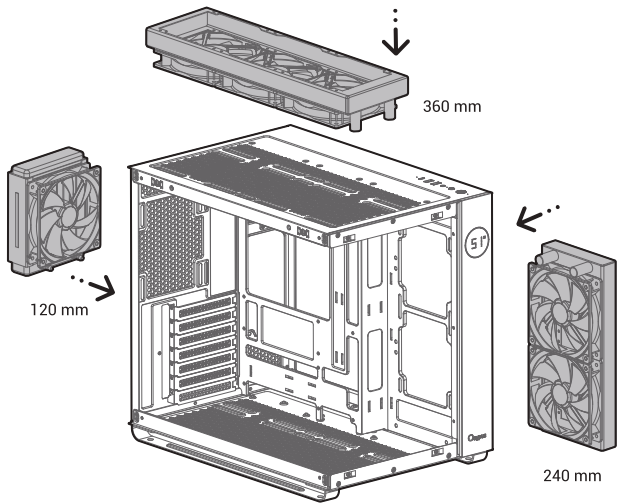






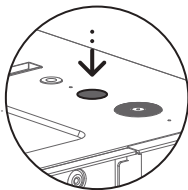
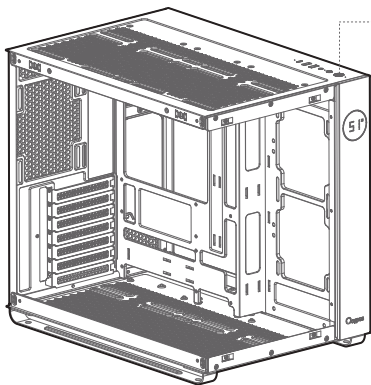




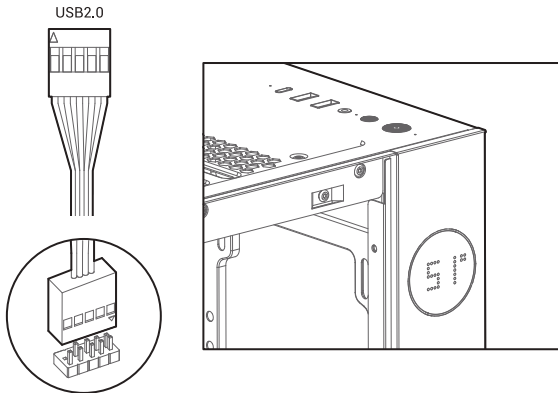


---

Press and hold for three seconds to connect to the motherboard. Press and hold for five seconds to turn off the lights.



## Connection with Digital



1. After the product is installed, The digital Display Function requires the installation of software 'Ocupus Digital'
2. Operating System Requirements: Windows 10 / Windows 11
3. Download: <http://www.ocypus.com/download.html>

- 
- EN** For more information, please check our website at: [www.ocypus.com](http://www.ocypus.com)
  - DE** Für weitere Informationen besuchen Sie bitte unsere Website unter: [www.ocypus.com](http://www.ocypus.com)
  - FR** Pour plus d'informations, merci de visiter notre site internet: [www.ocypus.com](http://www.ocypus.com)
  - ES** Para más información, por favor, visite nuestra página en: [www.ocypus.com](http://www.ocypus.com)
  - IT** Per ulteriori informazioni, visitate il nostro sito web: [www.ocypus.com](http://www.ocypus.com)
  - PT** Para mais informação, visita o nosso website em: [www.ocypus.com](http://www.ocypus.com)
  - CS** Další informace najdete na našich webových stránkách: [www.ocypus.com](http://www.ocypus.com)
  - SV** För mer information, gå till vår hemsida på: [www.ocypus.com](http://www.ocypus.com)
  - PL** Więcej informacji można znaleźć na naszej stronie internetowej: [www.ocypus.com](http://www.ocypus.com)
  - TR** Daha Fazla bilgi için, lütfen websitemizi ziyaret ediniz: [www.ocypus.com](http://www.ocypus.com)
  - RU** Больше информации на сайте: [www.ocypus.com](http://www.ocypus.com)
  - UK** Щоб отримати додаткову інформацію, перегляньте наш веб-сайт: [www.ocypus.com](http://www.ocypus.com)
  - KK** Көбірек ақпарат алу үшін біздің вебсайтымызға кіріңіз: [www.ocypus.com](http://www.ocypus.com)
  - JA** 詳細については、以下URL先の公式WEBサイトをご確認ください: [www.ocypus.com](http://www.ocypus.com)
  - KO** 자세한 내용은 [www.ocypus.com](http://www.ocypus.com) 에서 확인하실 수 있습니다
  - AR** للمزيد من المعلومات ، يرجى زيارة موقعنا على [www.ocypus.com](http://www.ocypus.com)
  - TH** สามารถดูข้อมูลเพิ่มเติมได้ที่เว็บไซต์: [www.ocypus.com](http://www.ocypus.com)
  - VI** Để biết thêm chi tiết, vui lòng kiểm tra tại website: [www.ocypus.com](http://www.ocypus.com)
  - ZH** 如需要更多信息, 请浏览网站: [www.ocypus.com](http://www.ocypus.com)
  - ZH** 如需要更多信息, 請瀏覽網站: [www.ocypus.com](http://www.ocypus.com)
-

---

Beijing Ocypus Technology Co.,Ltd.  
Room 204, Building 4, No. 38 Linfeng Second Road, Haidian District, Beijing 100095, China  
© 2024 Beijing Ocypus Technology Co.,Ltd. All rights reserved.  
“Ocypus™”, “Ocypus™” and other commercial identities are legitimate registered  
trademarks and commercial identities of the trademarks owner and its affiliates in China  
and other countries or regions.  
Pictures on this package are for reference only, please refer to the actual product.

---

[www.ocypus.com](http://www.ocypus.com)

