

# STICK EVO User Manual

## 7. Precautions

1. The fixture must be installed by a qualified professional.
2. Installation must be done with the power off to prevent electric shock or equipment damage.
3. Do not disassemble or modify the fixture yourself, as this may reduce its safety protection level.
4. Install the fixture away from heat and vibration sources to avoid operational interference.
5. Ensure the power lines (neutral, live, and ground wires) are correctly connected and securely fastened.
6. Wiring Instructions: When connecting to the power supply, use a junction box with an IP rating that is not lower than the fixture's IP rating. The wires should be connected inside the terminal, with proper wire fixation in place.
7. Ensure the product's specifications match the local electrical grid parameters.
8. Avoid contact with corrosive chemicals, as they may damage the fixture.
9. Before installation, check the technical data and specifications on the nameplate to ensure they match actual use conditions. Ensure all components are intact before connecting the power.
10. Do not dismantle the fixture without proper authorization. Disconnect the power supply before performing any maintenance or inspection.
11. During maintenance, avoid damaging explosion-proof surfaces. After servicing, apply anti-rust oil, and securely close the fixture before use.

**INDLEDs**(Shenzhen) Co.,Ltd

Add: 402Workshop, B3 Lift, B building, Jinkaijin Industry Park, Shiyantown,  
Bao'an District, Shenzhen, China

Tel: 0755-23078774

Email: [eric@indleds.com](mailto:eric@indleds.com)

Website: [www.indled.com](http://www.indled.com)

## 1. Product Description

Carved from walnut wood, it can illuminate the dining table evenly and Stick EVO Marble is carved from walnut wood ensuring a uniform distribution of light across the table and creating a bright yet comfortable ambient illumination. It is particularly well-suited for enhancing the dining experience.

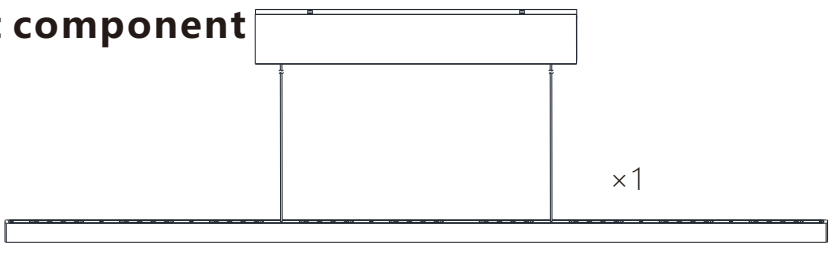
## 2. Specification

Name	Stick EVO
Model No	YK1280
Input Voltage	AC220-240V ~ 50Hz
Consumption	43W
Luminous	5904Lm
Efficacy	≥130Lm/W
Color temperature	2700K/3000K
CRI	≥92
Operation temperature	-30°C ~ 40°C
Protection	IP54
Size	1280×35×30mm
Weight	2.8kg

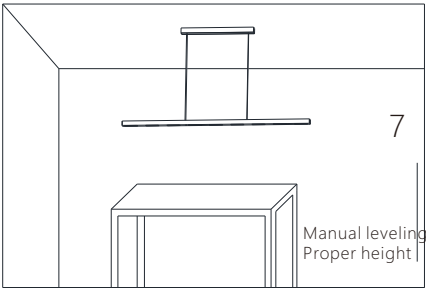
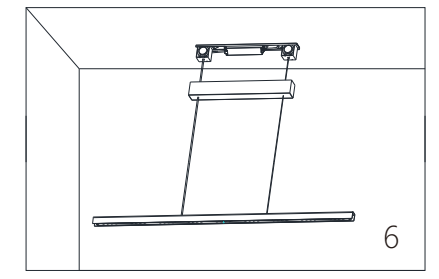
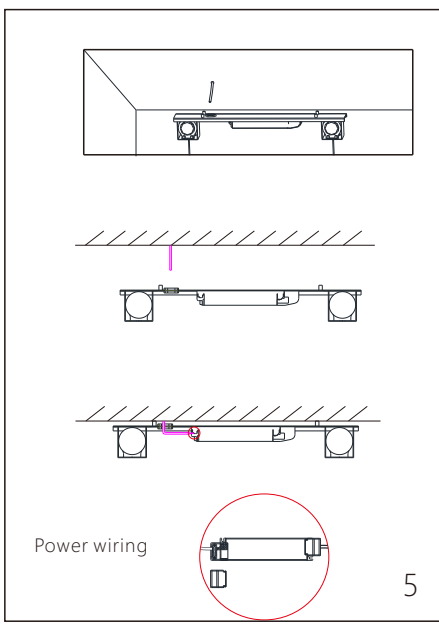
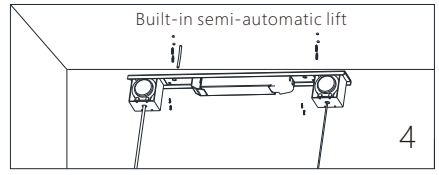
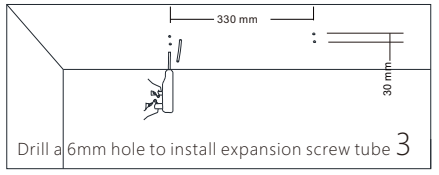
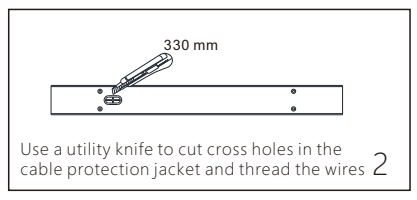
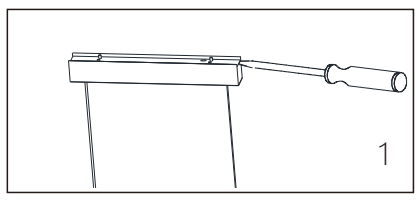
### 3. Product component

×4

×4

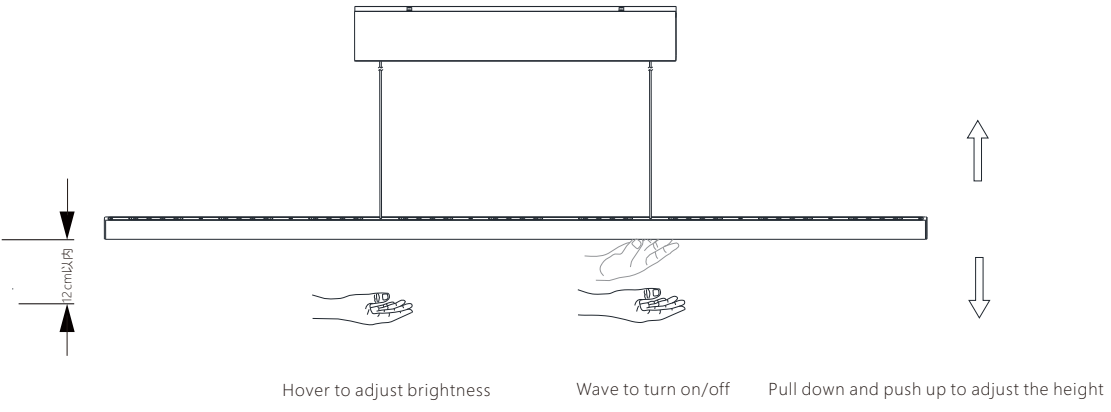


### 4. Installation



### 5. Instruction

1. Plug in the Stick EVO Essential for maximum brightness.
2. The lamp can be turned on by sweeping the sensor beneath the middle of head, and turned off again by another sweep. Repeat this action to switch lamp on and off. (Effective distance is within 15cm from sensor)
3. Hover your hand below the sensor without moving to dim the lowest brightness 0.5%. The dimming time from 100% to 0.5% is 3 seconds. During the dimming process, you can move your hand away to set the brightness.
4. After removing hand, hover again to adjust to the brightness. The dimming process from 0.5% to 100% takes 3 seconds. You move hands away during the process to set the desired brightness.
5. Repeat the above actions to get any desired brightness you need



### 6. Warranty

The lamp is covered by a 5-year warranty from date of purchase