

## 7.Precautions

- 1.The fixture must be installed by a qualified professional.
- 2.Installation must be done with the power off to prevent electric shock or equipment damage.
- 3.Do not disassemble or modify the fixture yourself, as this may reduce its safety protection level.
- 4.Install the fixture away from heat and vibration sources to avoid operational interference.
- 5.Ensure the power lines (neutral, live, and ground wires) are correctly connected and securely fastened.
- 6.Wiring Instructions: When connecting to the power supply, use a junction box with an IP rating that is not lower than the fixture's IP rating. The wires should be connected inside the terminal, with proper wire fixation in place.
- 7.Ensure the product's specifications match the local electrical grid parameters.
- 8.Avoid contact with corrosive chemicals, as they may damage the fixture.
- 9.Before installation, check the technical data and specifications on the nameplate to ensure they match actual use conditions. Ensure all components are intact before connecting the power.
- 10.Do not dismantle the fixture without proper authorization. Disconnect the power supply before performing any maintenance or inspection.
- 11.During maintenance, avoid damaging explosion-proof surfaces. After servicing, apply anti-rust oil, and securely close the fixture before use.

**INDLEDs**(Shenzhen) Co.,Ltd

Add: 402Workshop, B3 Lift, B building, Jinkaijin Industry Park, Shiyan town,  
Bao'an District, Shenzhen , China

Tel: 0755-23078774

Email: [eric@indleds.com](mailto:eric@indleds.com)

Website: [www.indled.com](http://www.indled.com)

# Disc EVO Table Essential User Manual

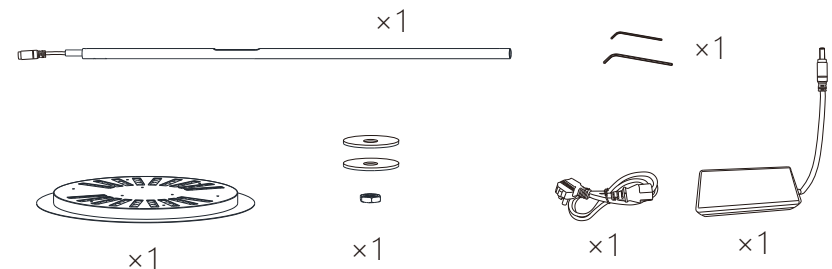
## 1.Product Description

The O45 is suitable for 4workstations with a desktop length of 2.4-3.2 meters

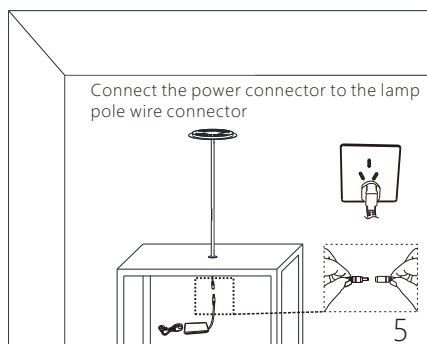
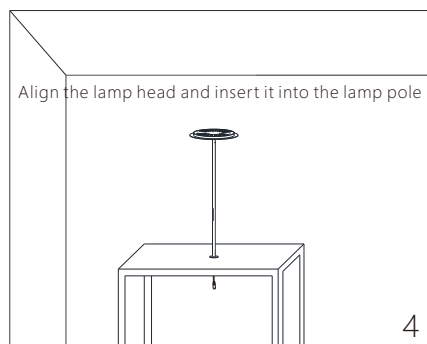
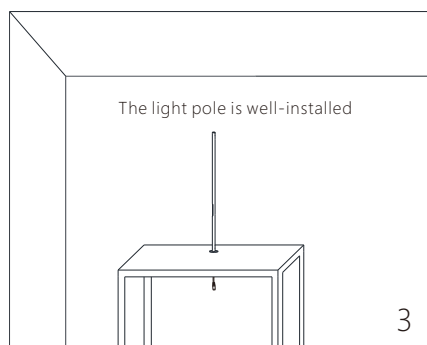
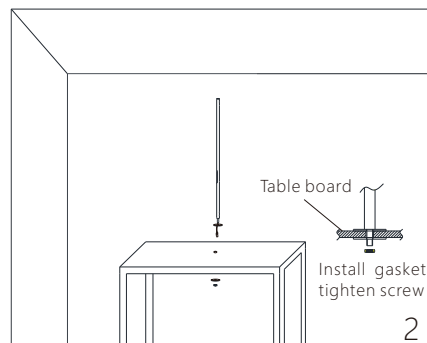
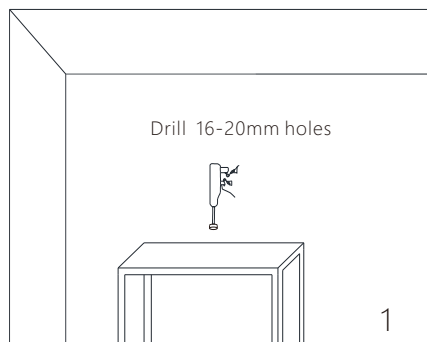
## 2.Specification

Name	Disc EVO Table Essential
Model No	O45
Input Voltage	100-240V ~ 50Hz
Consumption	80W
Luminous	9784Lm
Efficacy	≥130Lm/W
Color temperature	4000K
CRI	≥93
Operation temperature	-30°C ~ 40°C
Protection	IP54
Size	φ450×1150mm
Weight	4kg

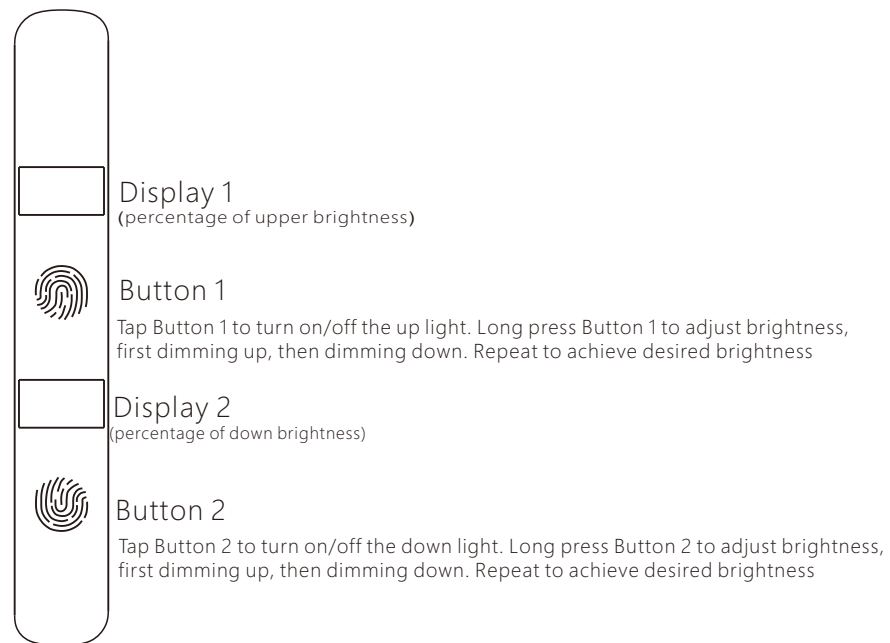
## 3.Product component



## 4. Installation



## 5. Instruction



## 6. Warranty

The lamp is covered by a 3-year warranty from date of purchase.