

DISC Floor EVO Essential User Manual

7.Precautions

- 1.The fixture must be installed by a qualified professional.
- 2.Installation must be done with the power off to prevent electric shock or equipment damage.
- 3.Do not disassemble or modify the fixture yourself, as this may reduce its safety protection level.
- 4.Install the fixture away from heat and vibration sources to avoid operational interference.
- 5.Ensure the power lines (neutral, live, and ground wires) are correctly connected and securely fastened.
- 6.Wiring Instructions: When connecting to the power supply, use a junction box with an IP rating that is not lower than the fixture's IP rating. The wires should be connected inside the terminal, with proper wire fixation in place.
- 7.Ensure the product's specifications match the local electrical grid parameters.
- 8.Avoid contact with corrosive chemicals, as they may damage the fixture.
- 9.Before installation, check the technical data and specifications on the nameplate to ensure they match actual use conditions. Ensure all components are intact before connecting the power.
- 10.Do not dismantle the fixture without proper authorization. Disconnect the power supply before performing any maintenance or inspection.
- 11.During maintenance, avoid damaging explosion-proof surfaces. After servicing, apply anti-rust oil, and securely close the fixture before use.

INDLEDs(Shenzhen) Co.,Ltd

Add: 402Workshop, B3 Lift, B building, Jinkaijin Industry Park, Shiyan town,
Bao'an District, Shenzhen , China

Tel: 0755-23078774

Email: eric@indleds.com

Website: www.indled.com

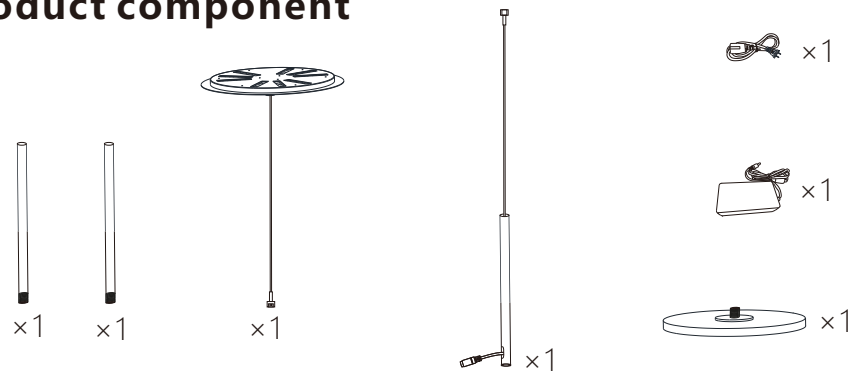
1.Product Description

DISC Floor EVO Essential is ideal for utilization as a task light for reading purposes and as accent lighting near a sofa.

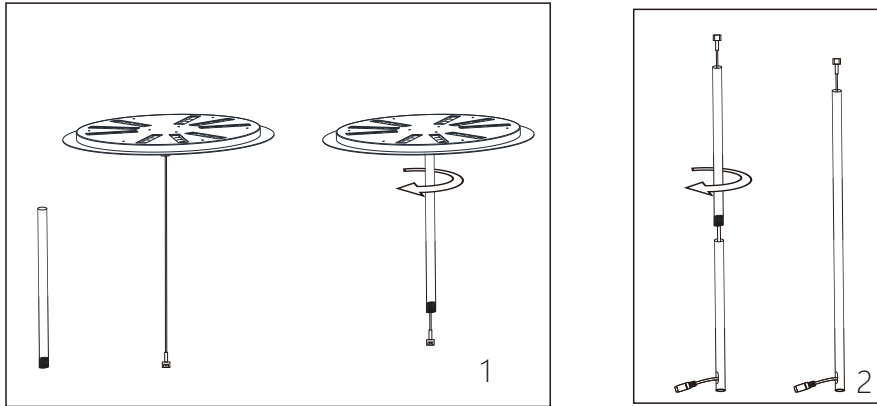
2.Specification

| | |
|-----------------------|--------------------------|
| Name | DISC Floor EVO Essential |
| Model No | ZL3FE |
| Input Voltage | 100-240V ~ 50Hz |
| Consumption | 36W |
| Luminous | 4902Lm |
| Efficacy | ≥130Lm/W |
| Color temperature | 2700/3000K |
| CRI | ≥92 |
| Operation temperature | -30°C ~ 40°C |
| Protection | IP54 |
| Size | φ350×1830 |
| Weight | 7.3kg |

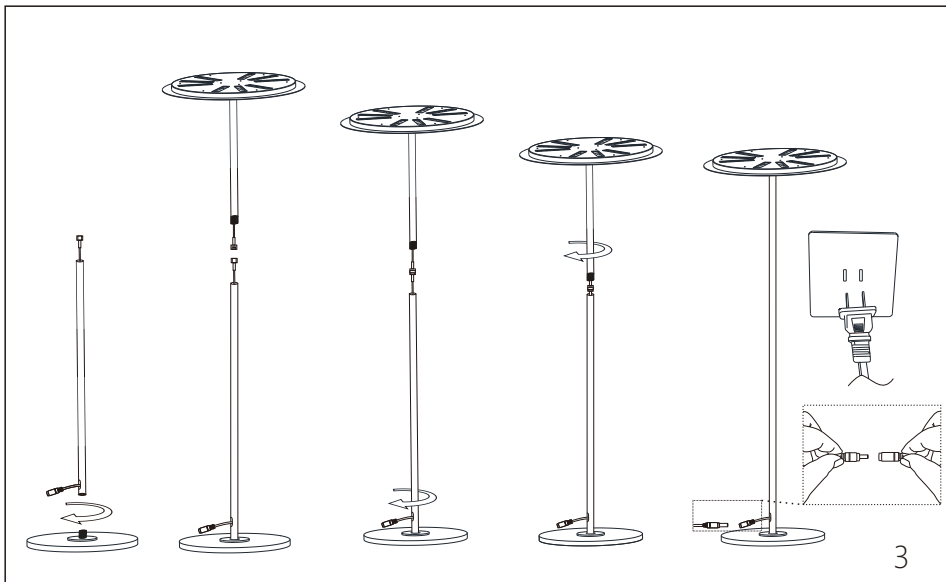
3. Product component



4. Installation

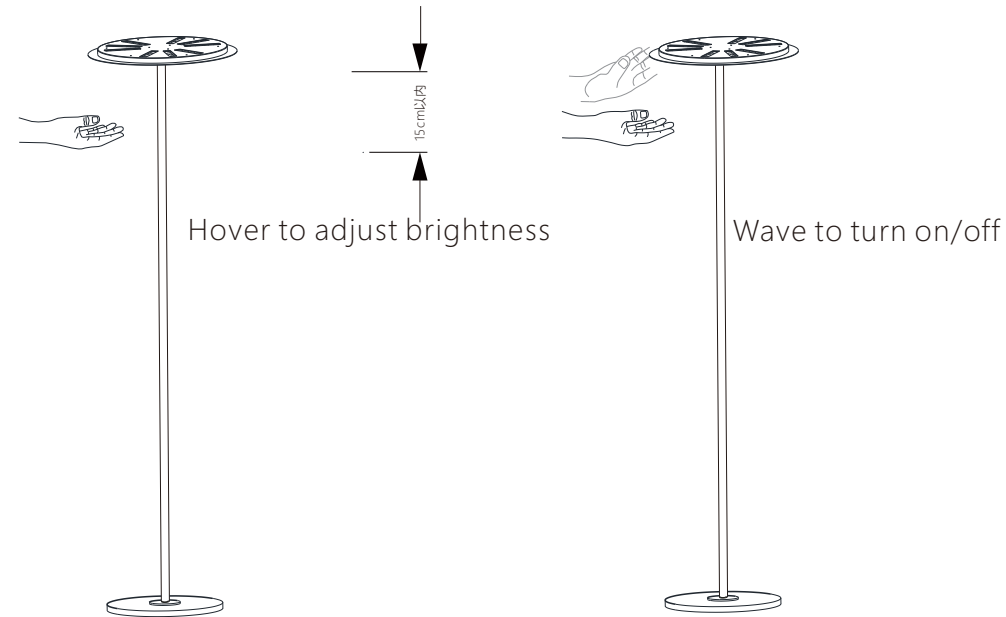


The order must be followed to prevent any potential damage to the components



5. Instruction

1. Plug in the DISC Floor EVO Essential for maximum brightness.
2. The lamp can be turned on by sweeping the sensor beneath the middle of head, and turned off again by another sweep. Repeat this action to switch lamp on and off. (Effective distance is within 15cm from sensor)
3. Hover your hand below the sensor without moving to dim the lowest brightness 0.5%. The dimming time from 100% to 0.5% is 3 seconds. During the dimming process, you can move your hand away to set the brightness.
4. After removing hand, hover again to adjust to the brightness. The dimming process from 0.5% to 100% takes 3 seconds. You move hands away during the process to set the desired brightness.
5. Repeat the above actions to get any desired brightness you need



6. Warranty

The lamp is covered by a 3-year warranty from date of purchase