

LINE 24



Well-being Bright

Comfortable Spacious

lax
rm

Well-being Bright

Comfortable Spacious

**Take S
Feel li**





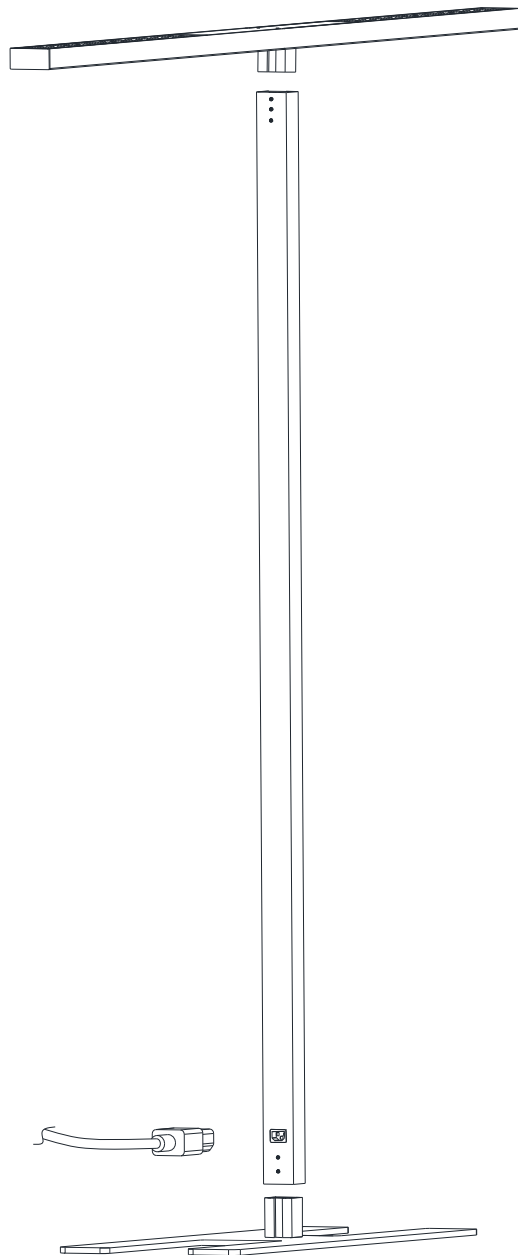
Touch dimming

- Touch briefly to switch on and off in your seat
- Press and hold to adjust brightness
- Display dimming percentage
- Built-in memory function
- Start to previous function when switched on



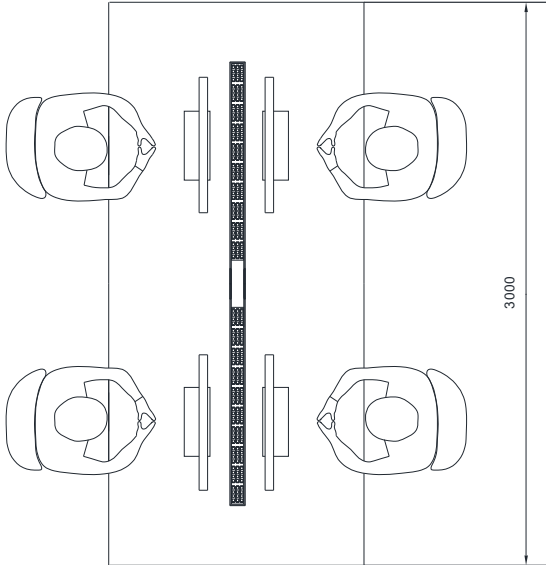
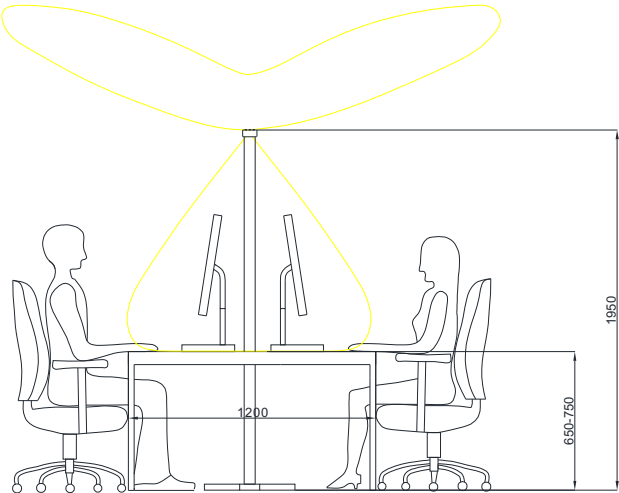


Automatic switching on and off lighting via PIR sensor

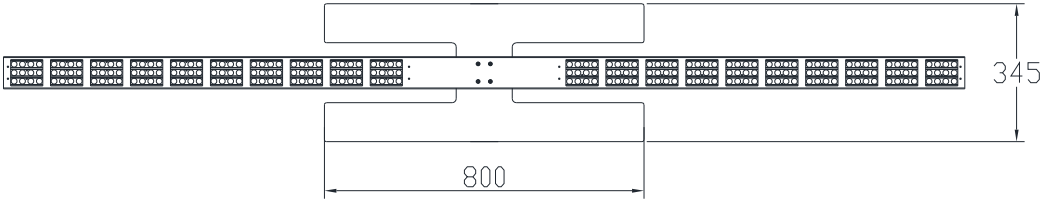
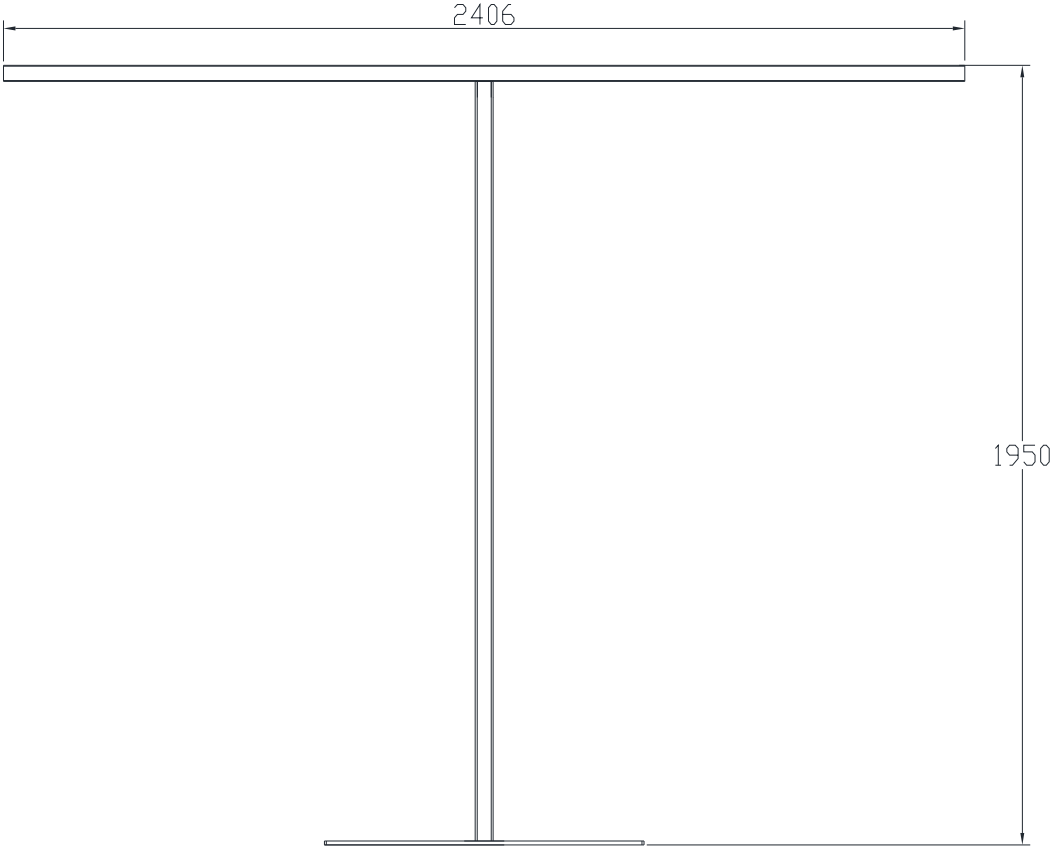


Simple and quick to assembly or disassembly with 1 minute

Conditions of Use

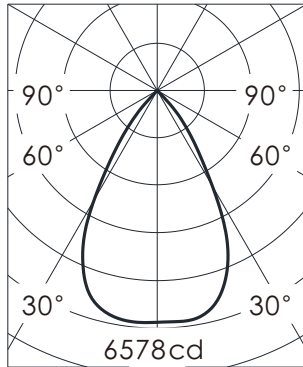


Dimension



Lighting distribution

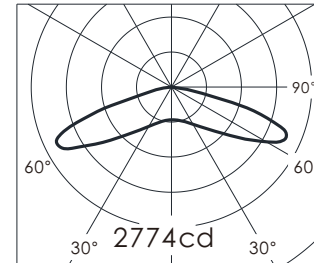
Single side



View angle : 64°

Height(m)	Illumination (lx)	Diameter (m)
1	3906	1.13
2	977	2.27
3	435	3.40
4	244	4.54
5	157	5.67

Direct luminous flux: 3286lm



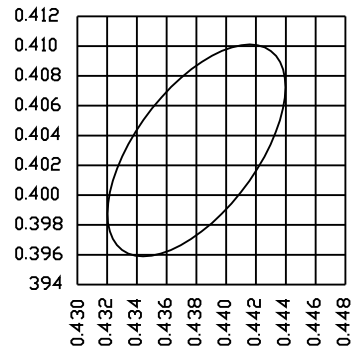
View angle : 160°

Height(m)	Illumination (lx)	Diameter (m)
1	75.5	13.98
2	18.8	27.96
3	8.5	41.94

Indirect luminous lux: 12480lm

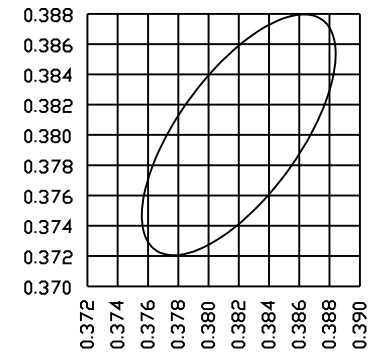
Bin standard

ANSI C78.377



BIN:30A

Centred x	y	Nominal CCT (K)	CCT Range(K)	MacAdam ellipse
0.4338	0.403	3000	2865-2940	3SDCM



BIN:40A

Centred x	y	Nominal CCT (K)	CCT Range(K)	MacAdam ellipse
0.3818	0.3797	4000	3900-4175	3SDCM

Electrical Characteristics	Voltage Range(V)		22~26
	Power /pc (W)	Indirect Direct	192 41
	Driver		Integrated
	Dimable		Touch
	Flicker		High frequency

Optical Characteristics	Light distribution		Direct/Indirect
	Luminous lux (lm)		6572/24960 Direct/Indirect
	lighting source(lm/w)		160/130 Direct/Indirect
	Luminare(lm/w)		130/110 Direct/Indirect
	Color quality		3000K : CRI93 Ra95 R9 90 Rf 90 Rg 101
			4000K : CRI94 Ra96 R9 90 Rf 92 Rg 101
	View angle	Indirect 160°	Direct 64°
	MacAdam Step		3SDCM
	UGR		9
	Color temperature		3000K/4000K

Physical Characteristics

Color	White
Composition	Optic Aluminum LED
Case	Aluminum
Dimension (mm)	2406×800×1950
Net weight(kg)	28.5

Dependability

Warranty	5 years
Lifespan > 50.000h(Tc=85°C)	L80B50-50.000h(Tc=85°C)
IP	53
Certificate	CE RoHS
Luminare Class	II
IK	Ik03
Temperature	-20 ~ +40°C

Standards&Certificates

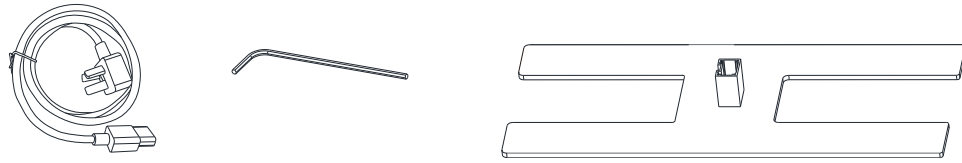
Integrating Sphere Test	IES LM79 (lumen,CCT,CRI,XY,SDCM,wave length)
Photometric Distribution Test	IES LM79
Aging Test	IES LM84&IES TM28
Ambient Temperature Test	UL1598&UL2388&IEC60598-1&IEC60598-2-21
High temperature High Humidity Test	UL1598&UL2388&IEC60598-1&IEC60598-2-21
Bending Test	500 cycles
Vibration Test	UL2388>750cycles
Tensile Test	Defined by Manufacturer
Drop Test	UL1598&UL2388&IEC60598-1&IEC60598-2-21
IK Test	IEC62262
Fire-Rating Test	UI94
UV Test	ASTMG154,ISO4892-3,UVA@340nm IEC60529
Salt Spray Test	IEC68-2-11
Thermal Shock Test	Non-lighting -40°C-55°C (25mins) with 5mins , 100 cycles
High temperature test	55°C

Packaging

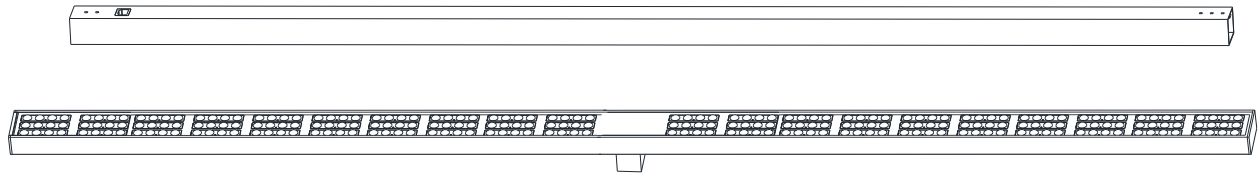


	Qty	Dimension (mm)	Net weight(kg)	Gross Weight(kg)
Luminare head	1	2406*118*110	12.5	14.2
Luminare pole	1	490*385*110	12.9	14.5
Luminare base	1	70*55*1920	3.1	4.6

Installation



Accessories



Steps

