

Wellspace™

Large Scale Luminous Ceiling

INDLEDs

Created with pride

Eric Junkun Shaw

M: +86 186 8896 6680 E: eric@indleds.com

T: +86 755 2752 2483 W: www.indleds.com

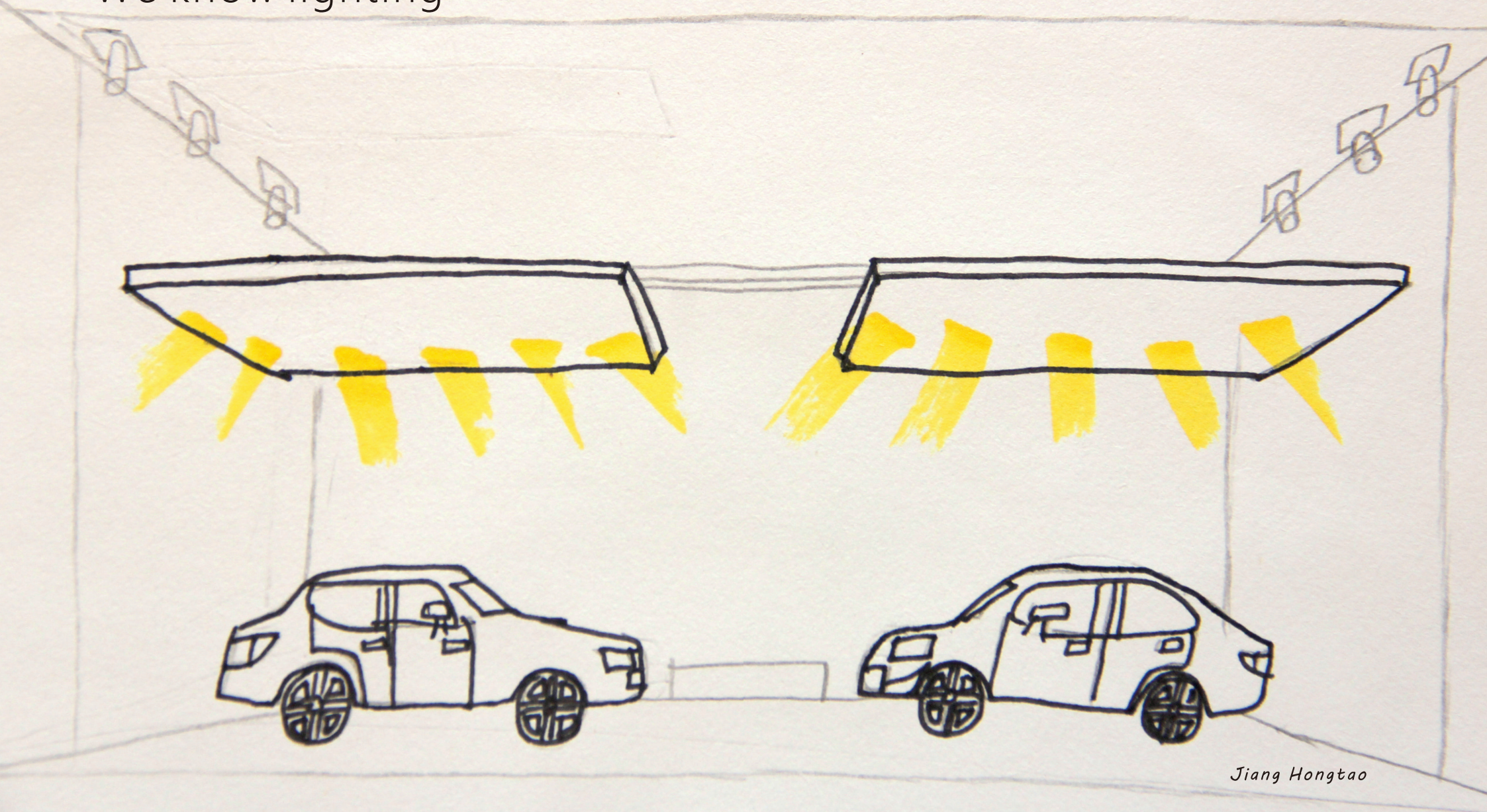
Add: 12F SenhainuoKechuang Building Shiyuan Shenzhen 518101 P.R.China

All copyright©2019 INDLEDs Co.,Ltd. All rights reserved.Specification and designs are subject to change without notice.
All data were deemed correct at time of creation. INDLEDs are not liable for errors or omissions.

We are **Wellspace™** not Lightbox



We know lighting



Jiang Hongtao

Wellspace™ deliver illuminance for varied visual task

Lightbox deliver information

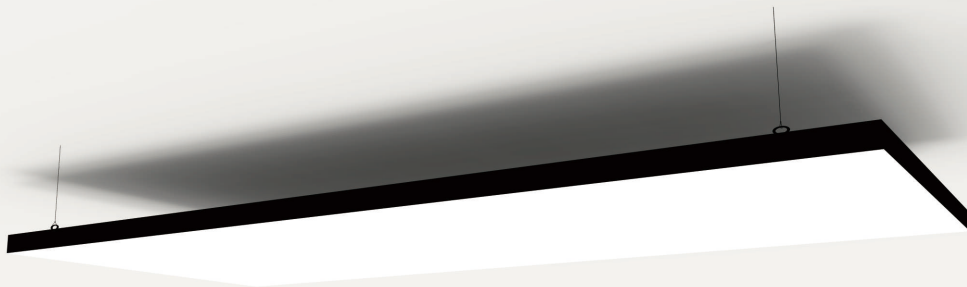
Different visual task need varied illuminance

Visual task	E(lx)	UGR	U0	Ra
Office	500	19	0.6	80
Store	500	22	0.6	80
Lounge	200	19	0.4	80

GB50034-2013 : China Standard for lighting design of buildings

Easy Installation

Suspended Mounting



No Specialty Installers Required

Basic Assembly

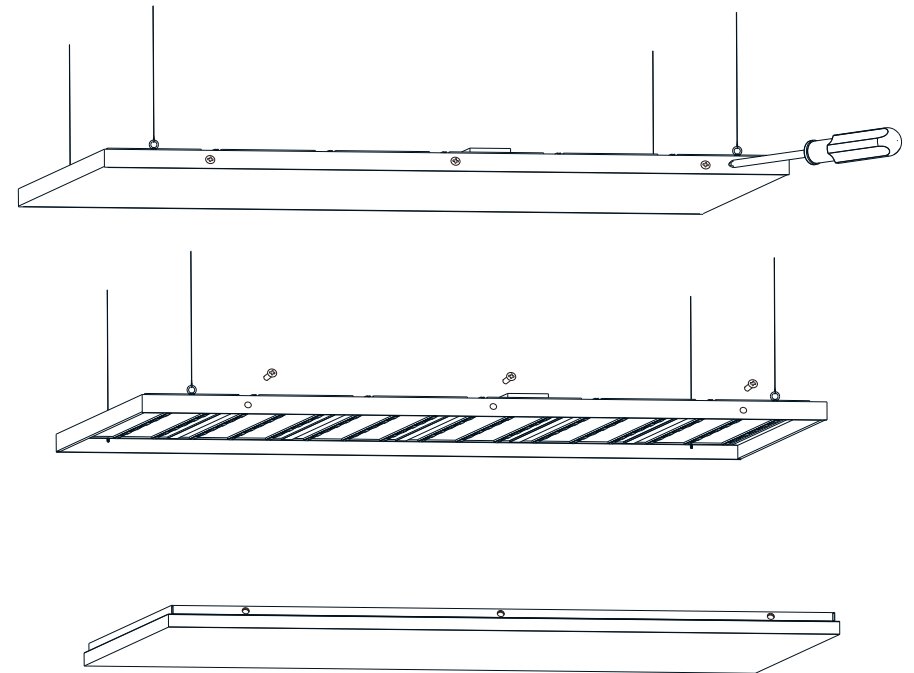
Plug&Play

Easy Maintenance

Unscrew bottom cover

Clean dirt with rag/repair luminaires

Install the cover back



Fire Rating: A2 Class



The Fiberglass fabric stay original color



Fiberglass Fabric

Fiberglass Fire Rating: A2
PVC Film Fire Rating: B2
Polyester fabric Fire Rating : B2

DIN 4102-1 fire test to building material

	Building material class	Designation
Class A	A1	Non-combustible materials
	A2	
Class B	B1	Not easily flammable
	B2	Flammable
	B3	Easily flammable

Europe A2 class: EN 13501: A2-s1, d0
United States Class A UL723 (ASTM E 84)
China GB8624:2006 class A2-s1, d0, t0



Maximum size: 3 m x 10 m
Standard size: 2.5 m x 5 m

Unbelievable bright uniformity glare-free lighting

Uniformity > 0.9 UGR < 19



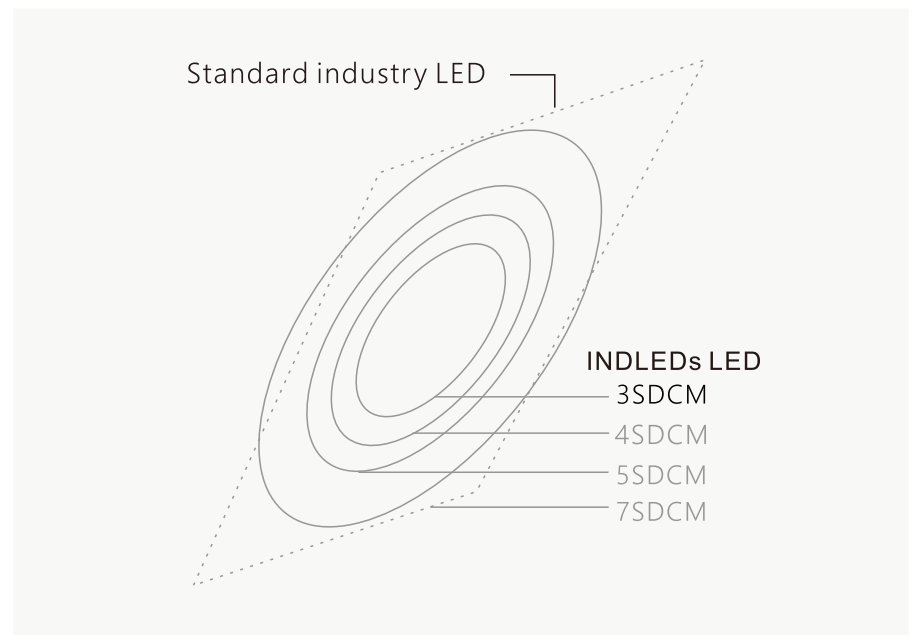
1970
MASERATI
GHIBLI

Consistent color temperature SDCM < 3



3 Step **4 Step**

Colour Difference
4 Step MacAdam ellipse (SDCM) is visible to human eye
3 Step MacAdam ellipse (SDCM) is not visible



Higher Color Rendering Index

Standard LED(4000k)

CRI90 Ra:93 R9:78
Rf:90 Rg:99

Full Spectrum LED Available

CRI :96 Ra:97 R9:89
Rf:96 Rg:101

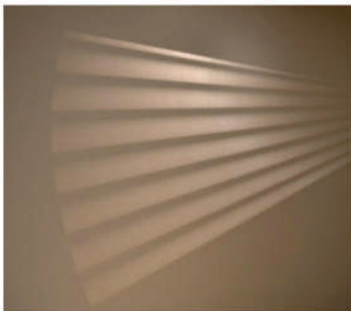
CRI90+ Rating Provides
TRUE and COMFORT COLOR



Flicker Free

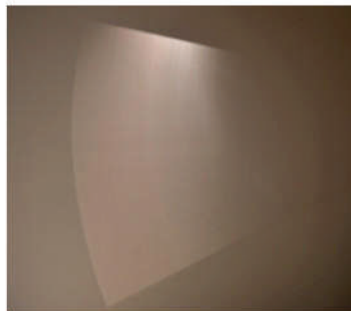
Reduce visual fatigue
Increase visual task performance
The quality of image shooting quality is easy to maintain, increasing the post-production cost

Flicker



Low light with interval lead to gaps in the fan

Flicker-Free

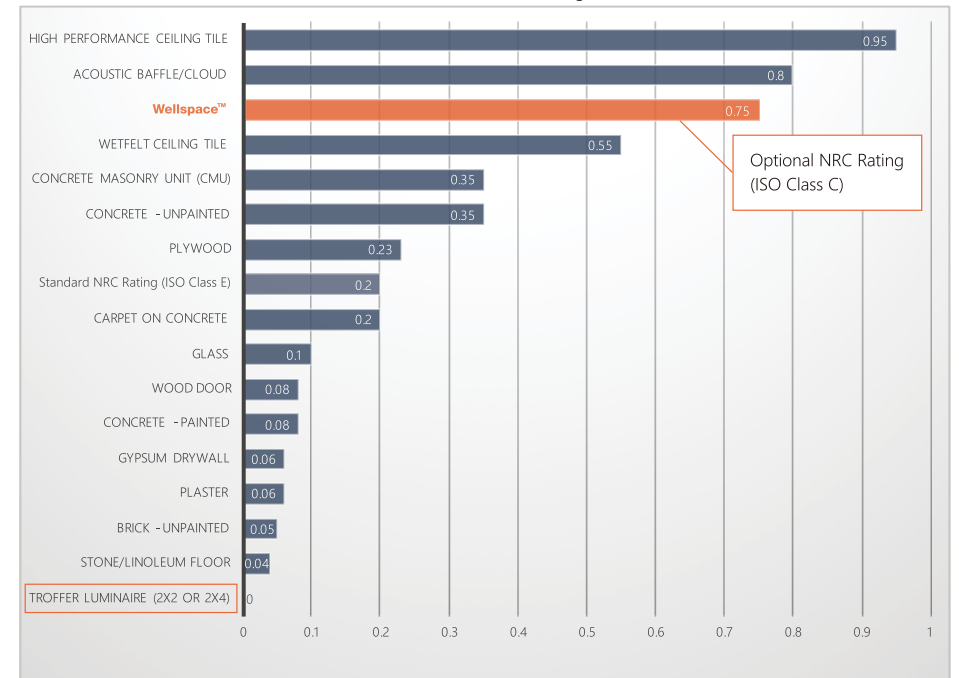


Smooth, unvarying light lead to no gap in the fan

Noise Reduction

Suspended **Wellspace™** can replace acoustic clouds and provide illumination in a single product saving the cost of the acoustic materials and avoiding the visual clutter created when trying to combine luminaires for general lighting in the same space as the sound absorbing fixtures.

Noise Reduction Coefficients(NRC) Value for Common Building Material



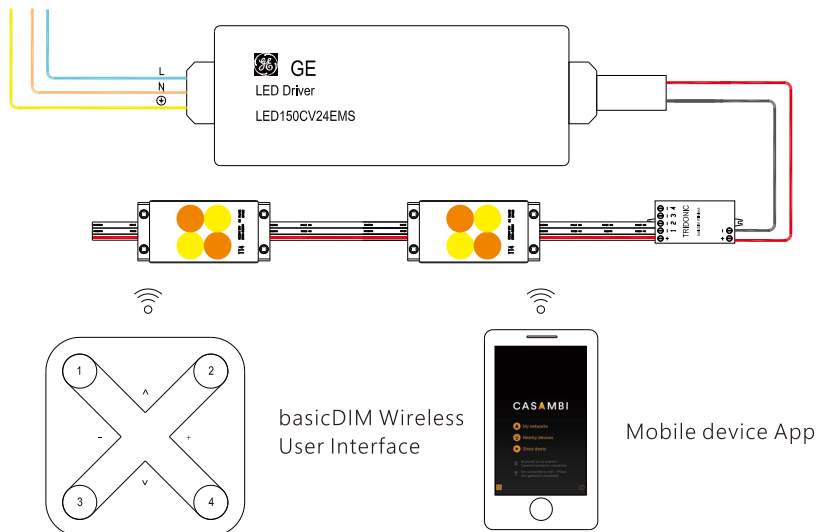
Acoustic properties αw 0.75 class C EN 11654
Noise Reduction Coefficient NRC 0.75 ASTM C423 - 99

Tunable white

TW lighting provide enhanced design flexibility with a wider color range and personal control options.
 TW lighting optimize the color of merchandise as it changed seasonally
 TW Lighting create color contrast to enhance branding and guide shoppers to products on-play



Wireless control via basicDIM Wireless



Wellspace™

Specifications

Electrical Characteristics

Voltage Range(V)	100-240AC
Power /pc (W)	1065
Dimming	Between 10% and 100% PWM (Pulse Width Modulation)
Control	Tridonic basicDIM Wireless PWM CV
Control interface	basicDIM Wireless User Interface/Casambi App
Driver	GE LED150CV24EMS

Optical Characteristics

Lumen/m ²	4000
Efficiency(lm/w)	46
Typical	1000 cd/m ²
CRI	90
MacAdam ellipse	3SDCM
Rf	90
Rg	99
CCT Color	2700~6500K

Construction

Dimensions	2.5m x 5mX0.12m
Shape	Rectangular
Front material	Fiberglass
Frame	Black Matt Aluminum
Base	Aluminum composite plate
Lighting source	TT4
Weigh/pcs(kg)	160

Dependability

Warranty	7 years
Fire rating	A2 class EN 13501: A2-s1, d0
Acoustic properties	αw 0.75 class C EN 11654
Noise Reduction Coefficient	NRC 0.75 ASTM C423 - 99

Others

Application	Retail Shop/Meeting room/Showroom
Certificates	CE/RoHS
Usage	Indoor use only
Accessories	Mounting kit ready