

## FFM-RD8042HHP

### Disk tube nanofiltration membrane

Product Description	Number of diaphragms:	209
	Inflow flow range (L/H) :	500-1200
	Material of guide plate:	ABS
	Membrane shell material:	FRP

### Performance characteristics:

●It has high recovery rate, stable effluent quality, strong anti pollution ability, long cleaning cycle, not easy to block, small ground occupation, low operation cost, full automatic control, no pretreatment and wide application range.

●**Application fields:** landfill leachate treatment, high difficulty organic wastewater treatment, high salinity wastewater treatment, high difficulty chemical wastewater treatment, high difficulty metallurgical wastewater treatment, high difficulty electroplating wastewater treatment.

Specification: Parameters	Membrane Area m <sup>2</sup>	Water yield L/H	Stable desalination rate %	Minimum desalination rate %
	>9.4	320	99.6	99.0

1. Test conditions: 32000ppm NaCL aqueous solution; The water temperature is 25 °C; The test pressure is 55bar;

2. The water yield of a single membrane element may vary in the range of + / - 20%.

3. The performance parameters of membrane components may change after the product is updated.

### Operating parameters:

Maximum operating temperature:	40°C
Operating pressure:	160 bar
Maximum differential pressure:	9.0 bar
PH range, continuous operation:	3-11
Chemical cleaning PH@40°C:	2-12
Allowable free chlorine content:	<0.1ppm

For special applications, please contact FFM Inc

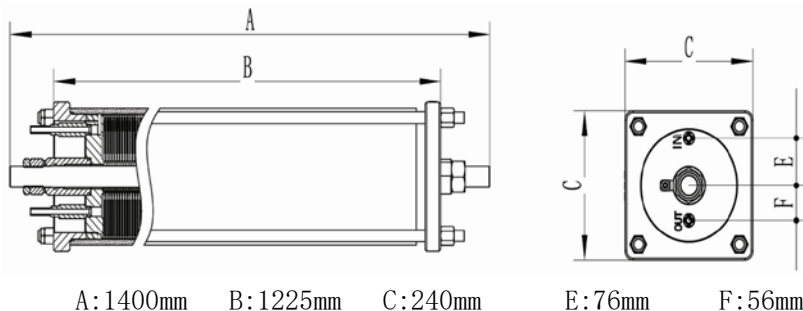
### Important information:

**1. Before each start-up of the system, it is necessary to ensure that the air in each membrane module is completely discharged, and the water inlet operation system with pressure of < 2bar and flow rate of each membrane not higher than 600L / h can be used.**

**2. The maximum influent flow rate of a single membrane module is 1200L / h. If the influent flow rate does not exceed this flow rate at any time, the recommended flow rate is 1000L / h.**

**3. Before the start-up of the new equipment, it is necessary to tighten the fixing nut with a torque wrench under 110Nm torque to prevent the fixing nut from loosening during transportation.**

**4. DT membrane module is designed according to the high concentration brine, so it is strictly forbidden to use tap water to test membrane module, so as to avoid damage to membrane caused by excessive water flow.**



A: 1400mm B: 1225mm C: 240mm E: 76mm F: 56mm

IN/OUT Interface diameter: 12mm Water outlet: Quick hose connection 11.6x9