



Additional information for FE (EXTERNAL CAPACITOR) Air Circulator

Content

P1-2	Company Profile
P3-8	Product Certification
P9-15	Capacitor Detail
P16-17	Job Reference



SAM HING CHEUNG FANS AND EQUIPMENT LTD

Address: 1B Kam Shing Industrial Building 1-11 Kwai Wing Road Kowloon, Kwai Chung, Hong Kong.

Tel : (852) 24109038 (852) 24109048

Fax : (852) 24877317

Email : cheung@wington.hk

Company Profile

WING TON FANS INDUSTRY LIMITED was found in 1956. The company was registered in Hong Kong and the prime business is to manufacture a series of excellent Wing Ton Industrial Air Circulators and Ventilation Systems. Over the past 50 years, Wing Ton set up SAM HING CHEUNG FANS AND EQUIPMENT LTD to provide efficient sales network, prompt delivery and excellent after sales service. WING TON has established a solid reputation from its base in Hong Kong and Asia. WING TON concerns QUALITY rather than QUANTITY. To achieve this goal, WING TON sets up its own factory in China. SHUNDE SAM HING CHEUNG FANS AND EQUIPMENT LIMITED mainly produces the critical components of WING TON products such as complete motors, impellers and casings. The factory has been maintained an ISO9001 certified quality management since 2000. WING TON also concerns the safety and performance of the/all products. All Wing Ton Industrial Air Circulators comply the latest international safety standard such as CE and SAA, Most of the WING TON ventilation systems are tested at the laboratory of AMCA in Singapore. AMCA provides.





ISO 9001

The Certificate Of Quality Management System

Certificate No. : 04922Q00203R2M

SHUNDE SAM HING CHEUNG FANS AND EQUIPMENT LTD.

Address: 101, 201, 301, 401-1, 501-1, Building 1, No.6-1, West Huangzhongnan 2nd Road,
Jiangyi Village, Leliu, Shunde District, Foshan City, Guangdong Province, P.R. China
Unified Social Credit Code: 91440606058532982L

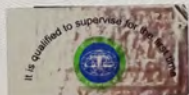
According to your organization's application, our company carried out audit and certification in accordance with the requirements for *Quality Management System* (GB/T19001-2016/ISO9001:2015), it accords with the requirements through assessment. The scope of the certified QMS is:

**Manufacture and sales service of industrial commercial use
(fans, exhaust fans, axial flow fans, centrifugal fans) and accessories**

Initial date: 2016-03-31

Term of validity of this certificate: 2022-03-10 to 2025-03-09

The scope of the certified should limits within the administrative licensing or China Compulsory Certification.
The certified organization shall be subject to annual supervision of CTC during the validity period.
The Certificate is only valid with the annual surveillance labels. The certificate information can be found at the CNCA's official website (www.cnca.gov.cn).



中国认可
国际互认
管理体系
MANAGEMENT SYSTEM
CNAS C049-M



Lang sui Ping
Chairman

Guangdong Quality Testing CTC Certification Co., Ltd.

Address: Room 226, No. 10, Science Avenue, Huangpu District, Guangzhou,
Guangdong, China 510670

Tel.: 86-020-89232333 Fax: 86-020-89232078 Web: www.qtctc.org





Product Service

Attestation of Conformity

No. N8A 17 10 72582 029

Holder of Certificate: WING TON FAN INDUSTRY LIMITED

1B Kam Shing Industrial Building
1-11 Kwai Wing Road
Kowloon
HONG KONG

Product: Fans
(Ceiling Fan)

Model(s): FE40JA, FE40JB, FE40JC, FE40JD, FE40JR, FE40JS,
FE45JA, FE45JB, FE45JC, FE45JD, FE45JR, FE45JS,
FE50JA, FE50JB, FE50JC, FE50JD, FE50JR, FE50JS,
FE65JA, FE65JB, FE65JC, FE65JD, FE65JR, FE65JS

Parameters:

Rated Input :	220-240VAC, 50Hz; 110W, 0.52A (for FE40JA, FE40JB, FE40JC, FE40JD, FE40JR and FE40JS) 140W, 0.63A (for FE45JA, FE45JB, FE45JC, FE45JD, FE45JR and FE45JS) 150W, 0.66A (for FE50JA, FE50JB, FE50JC, FE50JD, FE50JR and FE50JS) 160W, 0.75A (for FE65JA, FE65JB, FE65JC, FE65JD, FE65JR and FE65JS)
Protection Class :	I
Degree of Protection :	IPX0

Tested according to: EN 60335-2-80:2003/A2:2009
EN 60335-1:2012/A12:2017
EN 62233:2008

This Attestation of Conformity is issued on a voluntary basis according to the Low Voltage Directive 2014/35/EU relating to electrical equipment designed for use within certain voltage limits. It confirms that the listed equipment complies with the principal protection requirements of the directive and is based on the technical specifications applicable at the time of issuance. It refers only to the particular sample submitted for testing and certification. See also notes overleaf.

Test report no.: 681101718201



Date, 2017-11-02 (Kelvin Zeng)

CE After preparation of the necessary technical documentation as well as the EU declaration of conformity the required CE marking can be affixed on the product. The declaration of conformity is issued under the sole responsibility of the manufacturer. Other relevant EU-directives have to be observed.



AMCA International
Air Movement and Control Association International, Inc.
The International Authority on Air System Components Since 1917

International Headquarters
30 W. University Dr. · Arlington
Heights, IL 60004-1893 · USA

Phone: +1 847-394-0150
E-Mail: cpeshek@amca.org
Website: www.amca.org

Test No. 40272-A1

June 23, 2022

TO: Wing Ton Fan Industry Ltd.
1B Kam Shing Ind Bldg
1-11 Kwai Wing Rd
Hong Kong, HONG KONG 00000
HONG KONG

ATTN: Wai Hung Edwin Yeung
edwin@wington.hk

**SUBJECT : CONTRACT TESTING
MODEL No. FW65JA**

Attached are the test results of the subject model performed on 6/20/2022

If you should have any questions concerning these data, please let us know.

Your test unit will be shipped as soon as possible.

Sincerely,

AIR MOVEMENT AND CONTROL
ASSOCIATION INTERNATIONAL, INC.

Christian Peshek
Laboratory Manager
Approved Signatory

Attachment
Copy To: edwin@wington.hk



Air Movement and Control Association International, Inc.
 30 West University Drive, Arlington Heights, Illinois 60004-1893, U.S.A.

Test Number
40272-A1

Test Unit: Air Circulating Fan Head
 Manufacturer: Wing Ton Fan Industry Ltd.
 Trade Name: 650MM industrial Air Circulator
 Model Number: FW65JA
 Serial Number: FW65JA
 Fan Diameter: 24.801 in.
 Fan Discharge Area: 3.355 ft²
 Fan Test Direction: Forward

Test Purpose: Contract Test
 Date of Test: 06/13/2022
 Client: Wing Ton Fan Industry Ltd.
 Witness: None
 Personnel: dnolak
 P_b: 29.10 in. Hg
 Unit System: IP
 Standby Power: 0 W

Test Method per ANSI / AMCA Standard 230-15, Figure 2B1 Setup

Comments:

Motor Information	
Motor Manufacturer:	Wing Ton Fan Industry Ltd.
Motor Type:	None
Motor Model number:	FW65JA
Motor Serial number:	W178174
Motor Nameplate Data:	240V, 50Hz, 180W, 0.85A, 1400 RPM

VFD Information	
VFD Manufacturer:	None
VFD Model Type:	None
VFD Model number:	None
VFD Serial number:	None

Minimum Clearances according to Standard	
Ceiling height:	4 ft.
Fan centerline to floor:	15 ft.
Fan to downstream wall:	15 ft.
Fan to upstream wall:	4.1335 ft

Test room Clearances	
Ceiling height:	25 ft.
Fan centerline to floor:	15 ft.
Fan to downstream wall:	50 ft.
Fan to upstream wall:	25 ft.



ASIA AMCA SDN BHD

No.7, Jalan SiLC 1/6, Kawasan Perindustrian SiLC Nusajaya, Mukim Jelutong, 79200 Nusajaya, Johor

TEST NO. AA00197

Date: 14 Jun 2022

To: Wing Ton Fan Industry Ltd.
3C Kam Shing Ind Bldg Hong Kong
Hong Kong

Attn: Mr Edwin Yeung

SUBJECT: PERFORMANCE TEST
MODEL No. FW65JC
TYPE OF TEST: Sound Performance, AMCA300 – Figure 1

Attached are the test results of the subject model performed on 08 Jun 2022.

AA00197-S1	Sound Performance – FW65JC (Speed 1)
AA00197-S2	Sound Performance – FW65JC (Speed 2)
AA00197-S3	Sound Performance – FW65JC (Speed 3)

These tests were conducted in an AMCA Independent Accredited Laboratory for AMCA300 testing. To pursue further for the AMCA Product Certification, manufacturer or seller has to submit the published performance rating for AMCA reviewed and approved in accordance with the requirements of the AMCA Certified Ratings Program (CRP).

Should you have any questions concerning these data, please let us know.

Best Rgds

TinTin
Asia AMCA Sdn Bhd
Approved Signatory



三興祥通風設備有限公司

香港新界葵涌葵榮路1 - 11 號金城工業大廈1樓B座
電話：(852) 2410 9038 傳真：(852) 2487 7317
電郵：cheung@wington.hk www.wington.com

CERTIFICATE OF ORIGIN

DATE : 8 July 2024

TO WHOM IT MAY CONCERN

Dear Sir,

Please be informed that Foshan Shunde Sam Hing Cheung Fan and Equipment Limited is the wholly owned by Sam Hing Cheung Fans and Equipment Ltd Foshan Shunde Sam Hing Cheung Fan and Equipment Limited, which is located at Shunde, Guangdong Province, is the only factory in China that is manufacturing the entire series of Wing Ton Brand Industrial Air Circulator.

Model No : FS45GXA, FS50GXA, FS51XC, FS63XC, FS76XC
FW45GXA, FW50GXA, FW51XA, FW63XA, FW76XA, FW51XB, FW63XB
FW45GXH, FW50GXH, FW51XC, FW63XC, FW76XC, FW51XD, FW63XD
FW45GXT, FW50GXT, FW51XR, FW63XR, FW76XR, FW51XS, FW63XS
FE40JR, FE50JR, FE50JR, FE65JR
FS-50MIT, FS65MIT, FB65MIT
FD30, FD35, FD40, FD45, FD50
FE40JA, FE45JA, FE50JA
FS40JG, FS45JG, FW40JF, FW45JF

Thank you very much for your kind attention.

For and on behalf of
SAM HING CHEUNG FANS AND EQUIPMENT LTD.


Authorized Signature(s)



三興祥通風設備有限公司

香港新界葵涌葵榮路1 - 11 號金城工業大廈1樓B座
電話：(852) 2410 9038 傳真：(852) 2487 7317
電郵：cheung@wington.hk www.wington.com

CERTIFICATE OF CONFORMITY

TO WHOM IT MAY CONCERN

DATE: July 8, 2024

We hereby declare that the insulation class of the motor of the model below is Class E (according to IEC 60085:2007).

Model No : FS45GXA, FS50GXA, FS51XC, FS63XC, FS76XC
FW45GXA, FW50GXA, FW51XA, FW63XA, FW76XA, FW51XB, FW63XB
FW45GXH, FW50GXH, FW51XC, FW63XC, FW76XC, FW51XD, FW63XD
FW45GXT, FW50GXT, FW51XR, FW63XR, FW76XR, FW51XS, FW63XS
FE40JR, FE50JR, FE50JR, FE65JR
FS-50MIT, FS65MIT, FB65MIT
FD30, FD35, FD40, FD45, FD50
FE40JA, FE45JA, FE50JA
FS40JG, FS45JG, FW40JF, FW45JF

Thank you very much for your kind attention.

For and on behalf of
SAM HING CHEUNG FANS AND EQUIPMENT LTD.


Authorized Signature(s)



Film Capacitors – AC Capacitors

Motor run capacitors

CBB65

Construction

- Metallized polypropylene film
- Aluminum can and top
- Filling material: soft polyurethane resin

Features

- Self-healing properties
- Low dissipation factor
- Overpressure disconnection safety device
- S2 safety class as per IEC-60252-1(ed-2) am1
- High insulation resistance
- EN 60252-1 compliance

Typical applications

- For general sine wave application, mainly as motor run

Terminals

- 2+2 fast-on terminal 6.3 x 0.8mm #250 style, others on request

Mounting Parts (Optional)

- Threaded stud at bottom of can (M8, Max torque= 5 Nm for 50 mm diameter)







Technical data and specifications	
Reference standards	DIN EN 60252-1: 2011 + A1, IEC 60252-1 (ed 2) am1 UL 810, GB/T3667.1
Safety class to IEC 60252-1	S2
Life expectancy to IEC 60252-1	450 V : 30000 h (Class A)
Class of Operation	Class A
Capacitance Tolerance	+/- 5%
Rated Capacitances	3uF - 65uF
Rated frequency	50/60 Hz
Rated voltage V_{rms}	450 V , others on request
Maximum ratings	
Maximum permissible voltage V_{max}	$1.1 \cdot V_R$ (V_R = Rated voltage)
Maximum permissible current I_{max}	$1.3 \cdot I_R$ (I_R = Rated current)



Film Capacitors – AC Capacitors

Motor run capacitors

CBB65

Test data	
AC test voltage terminal to terminal V_{TT}	$2.0 \cdot V_R$, 2 s
Insulation voltage terminals to case	3000 V AC, 2 s
Insulation resistance R_{ins} or time constant at +20 °C, rel. Humidity $\leq 65\%$ (minimum as-delivered values)	10000 s
Dissipation factor $\tan \delta$ at +20 °C	$\leq 7 \cdot 10^{-3}$ (1 kHz)
Maximum rate of voltage rise dV/dt_{max}	10 V/ μ s
Climatic data	
Climatic category	40/085/21 to IEC 60068-1
Lower category T_{min}	-40° C
Upper category T_{max}	+85° C
Damp heat test t_{est}	21 days
Mechanical and thermal properties of terminal insulator material	
Terminal material <ul style="list-style-type: none"> ■ UL 94 V0 compatible ■ Glow wire test to IEC60335-1 Test temperature +750 °C ■ Part is compatible to EN 60335-1 	Self-extinguishing within 2 seconds of withdrawing glow wire without igniting wrapping tissue of GWT
Approvals: See table for approved ratings	
 US UL File E 238746	Approved component 10000 AFC
VDE EN 60252-1 	Approved up to 65 μ F , 450 V / 85°C : 30000 h (Class A)
CQC 	Approval on request
	Compliance to LV directive 2014/35/EU

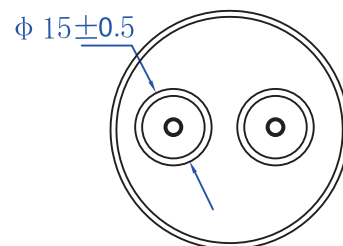
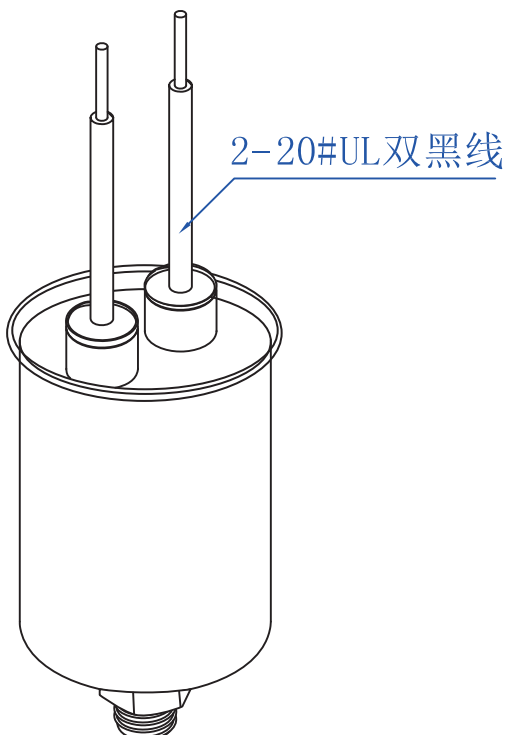
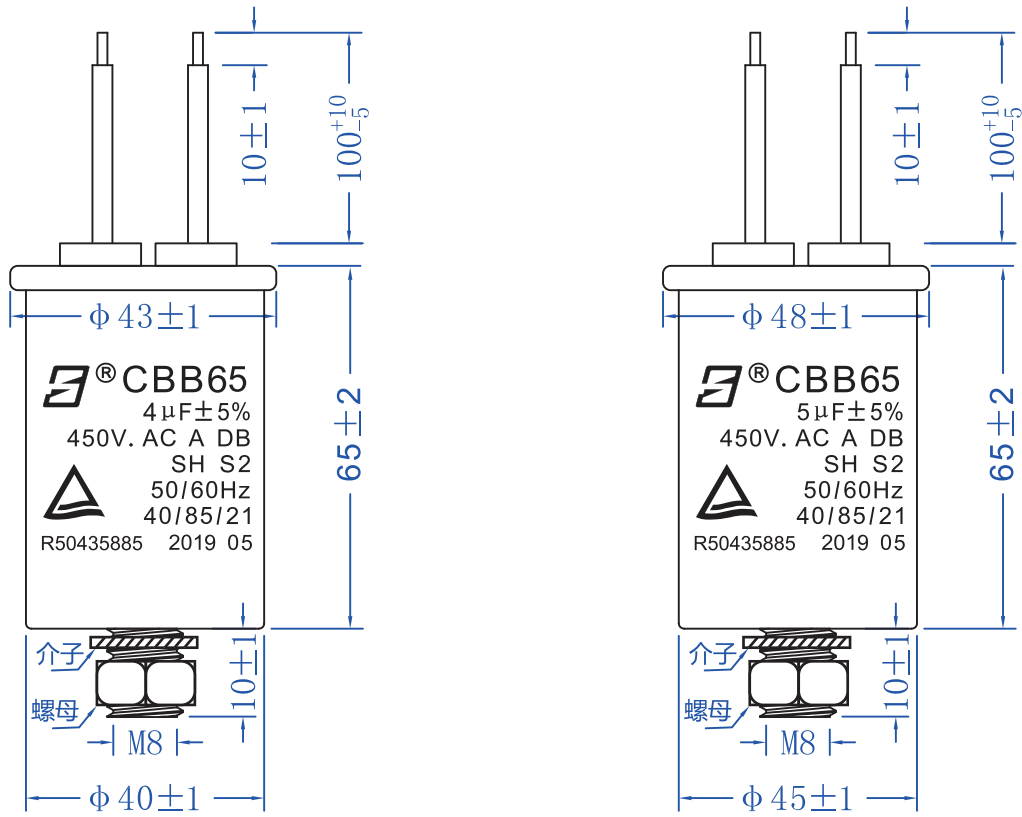


Film Capacitors – AC Capacitors

Motor run capacitors

CBB65

Dimensional drawing and marking



Zertifikat

Certificate



Zertifikat Nr. *Certificate No.*
R 50435885

Blatt *Sheet*
0001

Ihr Zeichen <i>Client Reference</i>	Unser Zeichen <i>Our Reference</i>	Ausstellungsdatum <i>Date of Issue</i>	<i>(day/mo/yr)</i>
	05-YFC-50186558 001	10.05.2019	

Genehmigungsinhaber *License Holder*

Xunde Electrical and Electronic
Co., Ltd.
Juwei Industry Zone
Beijiao, Shunde
Foshan, Guangdong
P. R. China

Fertigungsstätte *Manufacturing Plant*

Xunde Electrical and Electronic
Co., Ltd.
Juwei Industry Zone
Beijiao, Shunde
Foshan, Guangdong
P. R. China

Prüfzeichen *Test Mark*



Type Approved
Safety
Regular Production
Surveillance

www.tuv.com
ID 1419068883

Geprüft nach *Tested acc. to*
EN 60252-1:2011+A1

Zertifiziertes Produkt (Geräteidentifikation) *Certified Product (Product Identification)*

Lizenzentgelte - Einheit *License Fee - Unit*

Capacitor (AC Motor Capacitors)

Type Designation	: CBB65	5
Trademark	: Xunde Xunde (logo)	
Rated Voltage	: AC 400V/450V	
Rated Frequency	: 50Hz/60Hz	
Rated Capacitances	: 3µF-65µF (See Appendix 1)	6
Climatic Category	: 40/85/21	
Capacitance Tolerance	: +5%	
Class of Safety Protection	: S2	
Class of Operation	: Class A	
Self-healing Capacitor	: Yes	
Type of Operation	: Continuous	
Type of termination	: Tabs of flat Quick-connector (4.8x0.5mm; 6.3x0.8mm)	

Remark : The labelling requirements acc. to EU Directive 2001/95 have to be observed for distribution within the EEA. The installation has to be carried out according to installation instruction accompanying the products.

11

ANLAGE (Appendix): 1

Dem Zertifikat liegt unsere Prüf- und Zertifizierungsordnung zugrunde und es bestätigt die Konformität des Produktes mit den oben genannten Standards und Prüfgrundlagen. Zusätzliche Anforderungen in Ländern, in denen das Produkt in Verkehr gebracht werden soll, müssen zusätzlich betrachtet werden. Die Herstellung des zertifizierten Produktes wird überwacht.

This certificate is based on our Testing and Certification Regulation and states the conformity of the product with the standards and testing requirements as indicated above. Any additional requirements in countries where the product is going to be marketed have to be considered additionally. The manufacturing of the certified product is subject to surveillance.

TÜV Rheinland LGA Products GmbH, Tillystraße 2, 90431 Nürnberg

Tel: +49 221 806-1371 e-mail: cert-validity@de.tuv.com
Fax: +49 221 806-3935 http://www.tuv.com/safety





Film Capacitors – AC Capacitors

Motor run capacitors

CBB65

Construction

- Metallized polypropylene film
- Aluminum can and top
- Filling material: soft polyurethane resin

Features

- Self-healing properties
- Low dissipation factor
- Overpressure disconnection safety device
- S2 safety class as per IEC-60252-1(ed-2) am1
- High insulation resistance
- EN 60252-1 compliance



Typical applications

- For general sine wave application, mainly as motor run

Terminals

- 2+2 fast-on terminal 6.3 x 0.8mm #250 style, others on request

Mounting Parts (Optional)

- Threaded stud at bottom of can (M8, Max torque= 5 Nm for 50 mm diameter)





Technical data and specifications	
Reference standards	DIN EN 60252-1: 2011 + A1, IEC 60252-1 (ed 2) am1 UL 810, GB/T3667.1
Safety class to IEC 60252-1	S2
Life expectancy to IEC 60252-1	450 V : 10000 h (Class B)
Class of Operation	Class B
Capacitance Tolerance	+/- 5%
Rated Capacitances	3µF - 65µF
Rated frequency	50/60 Hz
Rated voltage V_{rms}	450 V , others on request
Maximum ratings	
Maximum permissible voltage V_{max}	$1.1 \cdot V_R$ (V_R = Rated voltage)
Maximum permissible current I_{max}	$1.3 \cdot I_R$ (I_R = Rated current)



Film Capacitors – AC Capacitors

Motor run capacitors

CBB65

Test data	
AC test voltage terminal to terminal V_{TT}	$2.0 \cdot V_R$, 2 s
Insulation voltage terminals to case	3000 V AC, 2 s
Insulation resistance R_{ins} or time constant at +20 °C, rel. Humidity $\leq 65\%$ (minimum as-delivered values)	10000 s
Dissipation factor $\tan \delta$ at +20 °C	$\leq 7 \cdot 10^{-3}$ (1 kHz)
Maximum rate of voltage rise dV/dt_{max}	10 V/ μ s
Climatic data	
Climatic category	40/085/21 to IEC 60068-1
Lower category T_{min}	-40° C
Upper category T_{max}	+85° C
Damp heat test t_{est}	21 days
Mechanical and thermal properties of terminal insulator material	
Terminal material <ul style="list-style-type: none"> ■ UL 94 V0 compatible ■ Glow wire test to IEC60335-1 Test temperature +750 °C ■ Part is compatible to EN 60335-1 	Self-extinguishing within 2 seconds of withdrawing glow wire without igniting wrapping tissue of GWT
Approvals: See table for approved ratings	
 US UL File E 238746	Approved component 10000 AFC
VDE EN 60252-1 	Approved up to 65 μ F , 450 V / 85°C : 10000 h (Class B)
CQC 	Approval on request
	Compliance to LV directive 2014/35/EU

Zertifikat

Certificate



Zertifikat Nr. *Certificate No.*
R 50369983

Blatt *Page*
0001

Ihr Zeichen <i>Client Reference</i>	Unser Zeichen <i>Our Reference</i>	Ausstellungsdatum <i>Date of Issue</i>	<i>(day/mo/yr)</i>
	05-YFC-50053958 001	22.02.2017	

Genehmigungsinhaber *License Holder*

Xunde Electrical and Electronic Co., Ltd.
Juwei Industry Zone
Beijiao, Shunde
Foshan, Guangdong
P.R. China

Fertigungsstätte *Manufacturing Plant*

Xunde Electrical and Electronic Co., Ltd.
Juwei Industry Zone
Beijiao, Shunde
Foshan, Guangdong
P.R. China

Prüfzeichen *Test Mark*



Geprüft nach *Tested acc. to*
EN 60252-1:2011+A1

Zertifiziertes Produkt (Geräteidentifikation) *Certified Product (Product Identification)*

Lizenzentgelte - Einheit *License Fee - Unit*

Capacitor (AC Motor Capacitors)

Type Designation	: CBB65	5
Trademark	: Xunde Kunde (logo)	
Rated Voltage	: AC 400V/450V	
Rated Frequency	: 50Hz/60Hz	
Rated Capacitances	: 3µF-60µF (See Appendix 1)	4
Climatic Category	: 40/85/21	
Capacitance Tolerance	: ±5%; ±10%; -5% to +10%	
Class of Safety Protection	: S2	
Class of Operation	: Class B	
Self-healing Capacitor	: Yes	
Type of Operation	: Continuous	
Type of termination	: Tabs of flat Quick-connector (4.8x0.5mm; 6.3x0.8mm)	

Remark : The labelling requirements acc. to EU Directive 2001/95 have to be observed for distribution within the EEA. The installation has to be carried out according to installation instruction accompanying the products.

9

ANLAGE (Appendix): 1

Dem Zertifikat liegt unsere Prüf- und Zertifizierungsordnung zugrunde und es bestätigt die Konformität des Produktes mit den oben genannten Standards und Prüfgrundlagen. Zusätzliche Anforderungen in Ländern, in denen das Produkt in Verkehr gebracht werden soll, müssen zusätzlich betrachtet werden. Die Herstellung des zertifizierten Produktes wird überwacht. This certificate is based on our Testing and Certification Regulation and states the conformity of the product with the standards and testing requirements as indicated above. Any additional requirements in countries where the product is going to be marketed have to be considered additionally. The manufacturing of the certified product is subject to surveillance.

TÜV Rheinland LGA Products GmbH, Tillystraße 2, 90431 Nürnberg

Tel.: +49 221 806-1371 e-mail: cert-validity@de.tuv.com
Fax: +49 221 806-3935 http://www.tuv.com/safety



JOB REFERENCE FOR WING TON PRODUCTS FOR THE PERIOD 2021-2023

2021-2023 年度榮通產品之部分工程範例

政府/公營部門	屋苑/商場/酒店業	教育界	倉庫/物流/貨運業	運輸行業	建築工程界及製造業	其他
高等法院	沙田愉翠商場	香港大學	3號貨櫃碼頭	九龍傳大昌汽車	寬視廣播有限公司	上水榮通源洗滌之家
香港入境事務處	又一城	城市大學	寶衣牌力貨倉	元龍比亞油輪船部	榮通源有限公司	香港化學廢物處理中心
香港消防局	美田皇貴花園	香港專業教育學院	香港利源國際貨運 (HK) 有限公司	紅磡仁孚車行	榮通源工程有限公司	美岸公園
九龍專電機處總部大樓	榮華閣	沙田 IVE	寶衣牌貨物倉	榮通源車行	榮通源有限公司	渣士尼集團
黃竹坑警察訓練學校	維多利亞公園	上水羅蘭崗學校	寶衣牌西馬物流中心	榮通源車行	榮通源有限公司	香港賽馬會
狗頭警署輔助訓練中心	大埔皇御苑	黃竹坑南新加坡國際學校	上水榮通源	士瓜得寶車行	榮通源有限公司	天耀大佛
深圳灣口岸(大廳/出入境管制站)	上水天翠邨	香港中文大學	沙田華興倉	城巴有限公司	榮通源有限公司	葵涌學校
關丹口岸(大廳/出入境管制站)	紅梅苑花園	香港中文大學	將軍澳 BK TV Mall 總部	九龍巴士 (一九三三) 有限公司	貴州美苑有限公司	連發會海濱花園
文咸東口岸(大廳/出入境管制站)	廣山花園	香港專業教育學院沙田分校	城市碼頭倉	榮通源車行	榮通源有限公司	香港志道學校
文咸西口岸(大廳/出入境管制站)	廣山花園	香港專業教育學院沙田分校	國際機場貨運倉	屯門九巴車廠	榮通源有限公司	屯門海濱
沙田灣口岸(大廳/出入境管制站)	沙田第一城	香港中文大學校友會聯誼會學校	合方貨運碼頭有限公司	榮通源車行	榮通源有限公司	大英有機生雞園
香港國際機場(大廳/出入境管制站)	麗城花園	貴州美苑小學	榮通源水貨倉	香港總匯有限公司	屯門維他利國際集團有限公司	逸生(香港)有限公司
港珠澳大橋口岸(大廳/出入境管制站)	港珠澳	沙田寶業工商總會理德小學	榮通源民運力中心	榮通源有限公司	(經大部份車站均已安裝榮通源產品)	大埔海大食品廠
羅湖警署	海怡半島	大埔仁濟醫院新禧小學	榮通源民運力中心	榮通源有限公司	榮通源有限公司	大埔美心食品廠
觀瀾警署	新屯門中心	上水鳳凰嶺新小學	榮通源民運力中心	榮通源有限公司	榮通源有限公司	日清食品有限公司
葵涌警署	葵涌都會坊	九龍博喃沙學校	榮通源民運力中心	榮通源有限公司	榮通源有限公司	大埔工業村中央處理中心
沙田警署	中環皇后大道	深水埗寶血會聖潔學校	榮通源民運力中心	榮通源有限公司	榮通源有限公司	大埔工業村大快坊
運輸處車輛檢驗綜合大樓	沙田新城市廣場	區智元朗崇德學校	榮通源民運力中心	榮通源有限公司	榮通源有限公司	太古可樂廠
順利船政律師樓會	灣仔維多利亞中心	九龍城五件維中學校	榮通源民運力中心	榮通源有限公司	榮通源有限公司	BALENO KINGDOM LTD
康樂及文化事務處	利奧坊一期	大埔海濱花園中學	榮通源民運力中心	榮通源有限公司	榮通源有限公司	伊瀾佛佛
屯門公眾碼頭	利奧坊二期	上水鳳凰嶺第一中學	榮通源民運力中心	榮通源有限公司	榮通源有限公司	九龍海馬馬場
中環5號碼頭	Miki	沙田新禧小學	榮通源民運力中心	榮通源有限公司	榮通源有限公司	三寶電器香港有限公司
屯門警署	將軍澳中心	上水嘉利公立學校	榮通源民運力中心	榮通源有限公司	榮通源有限公司	新屋空有限公司
大嶼山警署	將軍澳中心	香港基督教香港信義會南島幼稚園	榮通源民運力中心	榮通源有限公司	榮通源有限公司	羅尼集團(香港)有限公司
伊利沙伯醫院	利奧坊	伯特利中學	榮通源民運力中心	榮通源有限公司	榮通源有限公司	榮通源有限公司
香港國際機場大堂	新九龍廣場	佛敎覺光法師中學	榮通源民運力中心	榮通源有限公司	榮通源有限公司	Westlink 物流倉
香港國際機場第三跑道電纜	旺角新世紀廣場	兩州會館中學	榮通源民運力中心	榮通源有限公司	榮通源有限公司	榮通源有限公司
中區警署火牛房	國方	東華三院馮寶琳中學	榮通源民運力中心	榮通源有限公司	榮通源有限公司	榮通源有限公司
指定禁煙區 (CLP830, CLP800)	中環國際金融中心	孔教學院何栢儀珍中學	榮通源民運力中心	榮通源有限公司	榮通源有限公司	榮通源有限公司
青山發電廠	尖沙咀新太陽廣場	香港道教聯合會圓玄學院第二中學	榮通源民運力中心	榮通源有限公司	榮通源有限公司	榮通源有限公司
羅湖警署	觀塘 AP1	香港基督教香港信義會崇德學校	榮通源民運力中心	榮通源有限公司	榮通源有限公司	榮通源有限公司
灣仔西康物轉運站	元朗形禧	中環道會許大同學校	榮通源民運力中心	榮通源有限公司	榮通源有限公司	榮通源有限公司
灣仔修頓球場	上水廣福	聖公會英基培會青中學校	榮通源民運力中心	榮通源有限公司	榮通源有限公司	榮通源有限公司
沙田垃圾收集站	葵芳新都會廣場	聖公會天士敦小學	榮通源民運力中心	榮通源有限公司	榮通源有限公司	榮通源有限公司
葵涌市政署	葵芳新都會廣場	天主教博善小學	榮通源民運力中心	榮通源有限公司	榮通源有限公司	榮通源有限公司
灣仔市政署	大埔廣福	大埔維多利亞學校	榮通源民運力中心	榮通源有限公司	榮通源有限公司	榮通源有限公司
保安道街市	將軍澳新都城	沙田聖母無玷聖心學校	榮通源民運力中心	榮通源有限公司	榮通源有限公司	榮通源有限公司
上環街市	屯門 Y City	天水圍慈雲閣主顯可銘學校	榮通源民運力中心	榮通源有限公司	榮通源有限公司	榮通源有限公司
石塘咀街市	葵芳新都會廣場	天水圍呂呂維紀念中學	榮通源民運力中心	榮通源有限公司	榮通源有限公司	榮通源有限公司
花園街街市	沙田 HomeSquare	沙田公立學校	榮通源民運力中心	榮通源有限公司	榮通源有限公司	榮通源有限公司
大角咀街市	上水新都會廣場	葵芳會慶中學	榮通源民運力中心	榮通源有限公司	榮通源有限公司	榮通源有限公司
北河街街市	沙田悅酒店	民生書院	榮通源民運力中心	榮通源有限公司	榮通源有限公司	榮通源有限公司
九龍城街市	臺灣悅來酒店		榮通源民運力中心	榮通源有限公司	榮通源有限公司	榮通源有限公司
彩虹道街市	沙田帝港酒店		榮通源民運力中心	榮通源有限公司	榮通源有限公司	榮通源有限公司
火炭食環處	香港維多利亞酒店		榮通源民運力中心	榮通源有限公司	榮通源有限公司	榮通源有限公司
大圍食環處	帝苑酒店		榮通源民運力中心	榮通源有限公司	榮通源有限公司	榮通源有限公司
沙田食環處	香港四季酒店		榮通源民運力中心	榮通源有限公司	榮通源有限公司	榮通源有限公司
水務處龍運道機電工場	帝都酒店		榮通源民運力中心	榮通源有限公司	榮通源有限公司	榮通源有限公司
水務處天水圍大壩	香港麗晶卡爾頓酒店		榮通源民運力中心	榮通源有限公司	榮通源有限公司	榮通源有限公司
大埔康樂水廠	帝京酒店		榮通源民運力中心	榮通源有限公司	榮通源有限公司	榮通源有限公司
沙田水廠	香港酒店		榮通源民運力中心	榮通源有限公司	榮通源有限公司	榮通源有限公司
觀瀾水廠	帝京酒店		榮通源民運力中心	榮通源有限公司	榮通源有限公司	榮通源有限公司
大埔水廠	香港九龍東皇悅假日酒店		榮通源民運力中心	榮通源有限公司	榮通源有限公司	榮通源有限公司
長沙灣水廠	香港九龍東皇悅假日酒店		榮通源民運力中心	榮通源有限公司	榮通源有限公司	榮通源有限公司
觀瀾水廠			榮通源民運力中心	榮通源有限公司	榮通源有限公司	榮通源有限公司
葵芳水廠			榮通源民運力中心	榮通源有限公司	榮通源有限公司	榮通源有限公司
黃竹坑水廠			榮通源民運力中心	榮通源有限公司	榮通源有限公司	榮通源有限公司
羅湖水廠			榮通源民運力中心	榮通源有限公司	榮通源有限公司	榮通源有限公司
小西灣水廠			榮通源民運力中心	榮通源有限公司	榮通源有限公司	榮通源有限公司
葵芳水廠			榮通源民運力中心	榮通源有限公司	榮通源有限公司	榮通源有限公司
灣仔水廠			榮通源民運力中心	榮通源有限公司	榮通源有限公司	榮通源有限公司
觀瀾水廠			榮通源民運力中心	榮通源有限公司	榮通源有限公司	榮通源有限公司
天水圍水廠			榮通源民運力中心	榮通源有限公司	榮通源有限公司	榮通源有限公司

