

# VAR

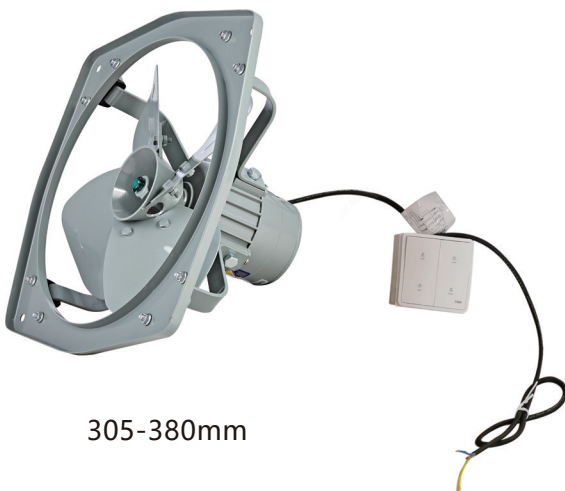
## 系列外置調速開關工業抽氣扇

### SERIES RUNNING VENTILATING FANS WITH SWITCH HOUSED EXTERNALLY

#### 產品特性

#### PRODUCT CHARACTERISTICS

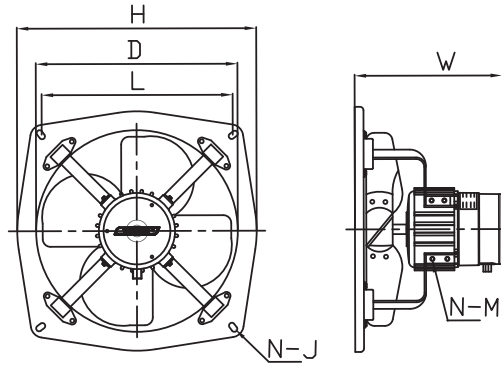
- 電機均為鋁外殼電機，E級絕緣，單相電機均為電容器輔助開關起動。
  - 扇葉乃鐵板沖壓，葉托為鋁合金鑄造，整個扇葉均進行嚴格平衡工序。
  - 備有按鍵式高低調速檔位及按鍵式開關。
- Fan motors are totally enclosed construction with dust seals, class E insulation. Motor casings are made of aluminum. All single phase motors are equipped with capacitors for start up.
  - Fan blades are made of pressed steel and the hubs are made of aluminum. They are all fully balanced.
  - Equipped with external LOW/HIGH-speed and ON/OFF switch.



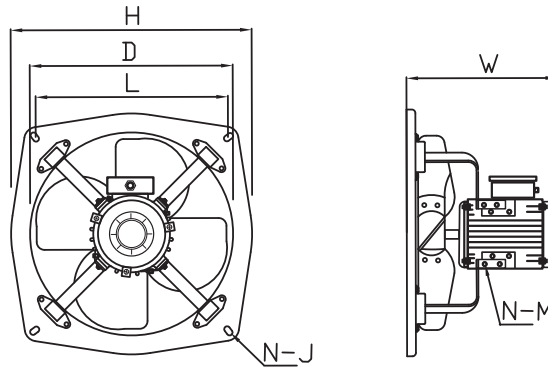
#### 技術參數

#### TECHNICAL PERFORMANCE DATA

型號 (Model)	扇葉直徑 inch/mm	電壓 Volt/Ph/Hz	檔位 Speed	電機功率 W	電流 A	轉速 RPM	風量 m <sup>3</sup> /h	噪音 dB (A)
<b>VAR305-1-4/6</b>	12" / 305	220-240/1/50	低 LOW	55	0.23	1115	1290	70
			高 HIGH	77	0.32	1390	1540	72
<b>VAR380-1-4/6</b>	15" / 380	220-240/1/50	低 LOW	109	0.45	1172	2090	62
			高 HIGH	136	0.57	1370	2540	73
<b>VAR460-1-4/6</b>	18" / 460	220-240/1/50	低 LOW	300	1.32	1130	3660	76
			高 HIGH	303	1.28	1400	4570	83



Model No	D	H	L	W	N-J	N-M	N.W.Kg
VAR305-1-4/6	326	387	310	220	4-φ9	4-M8	6.2
VAR380-1-4/6	400	475	363	245	4-φ9	4-M8	8.1



Model No	D	H	L	W	N-J	N-M	N.W.Kg
VAR460-1-4/6	475	553	445	275	4-φ11	4-M10	10.5

出風方式

FORM OF RUNNING VENTILATING FANS



Special bearing is required for these form of direction.