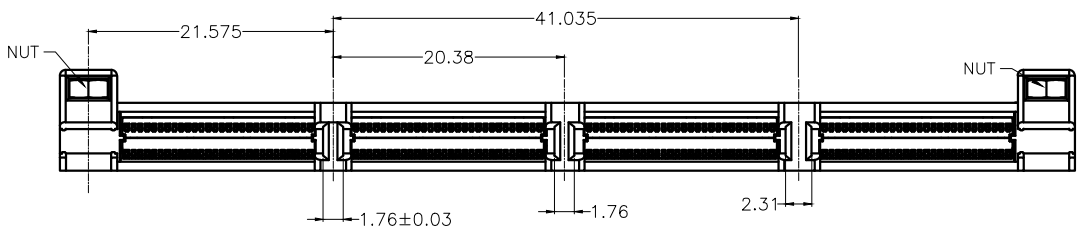
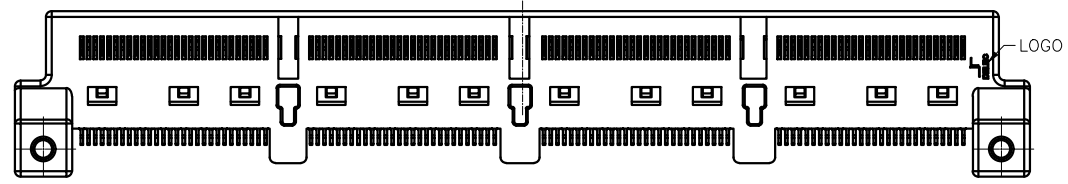
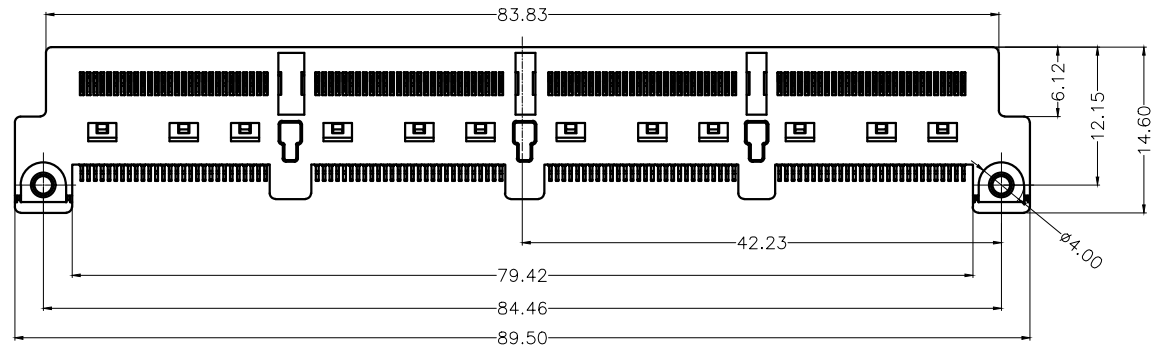
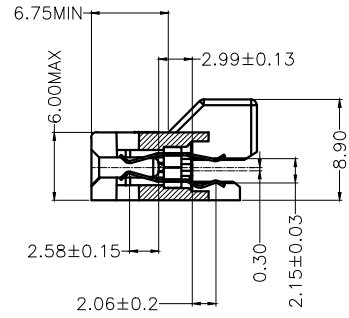
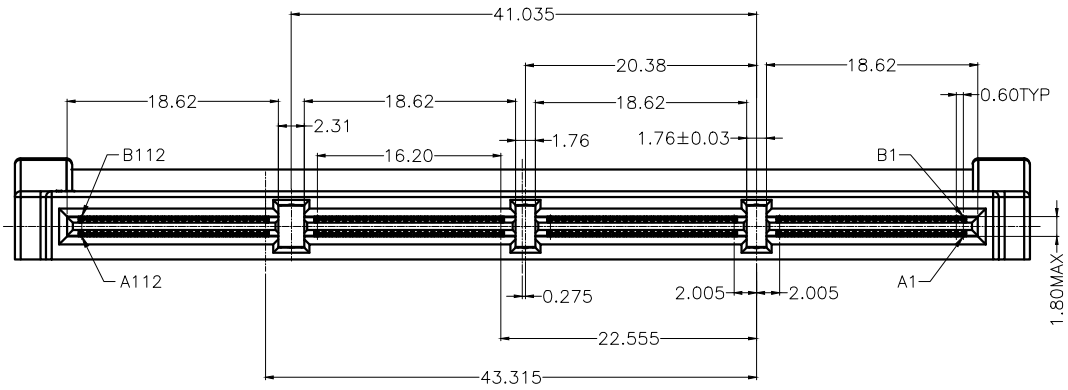


版本	发行日期	发行原因	发行者
A	2024-06-11	新版发行	SHP/SHB



DE902-121F00105X

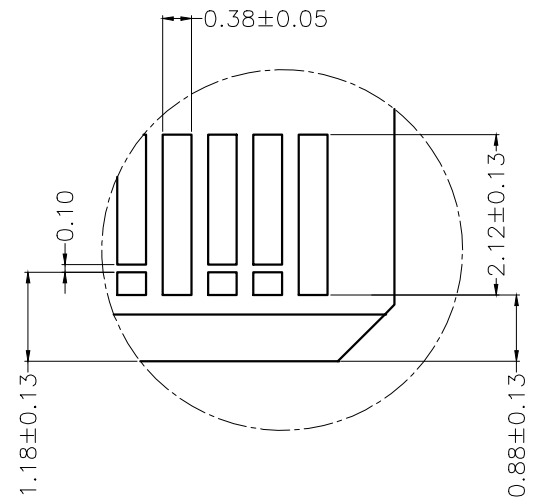
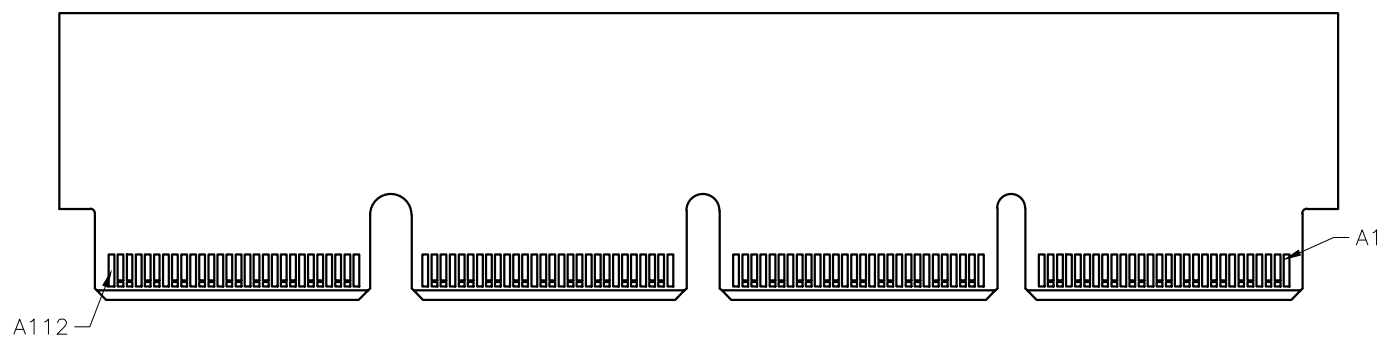
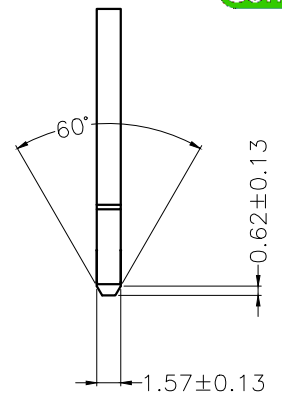
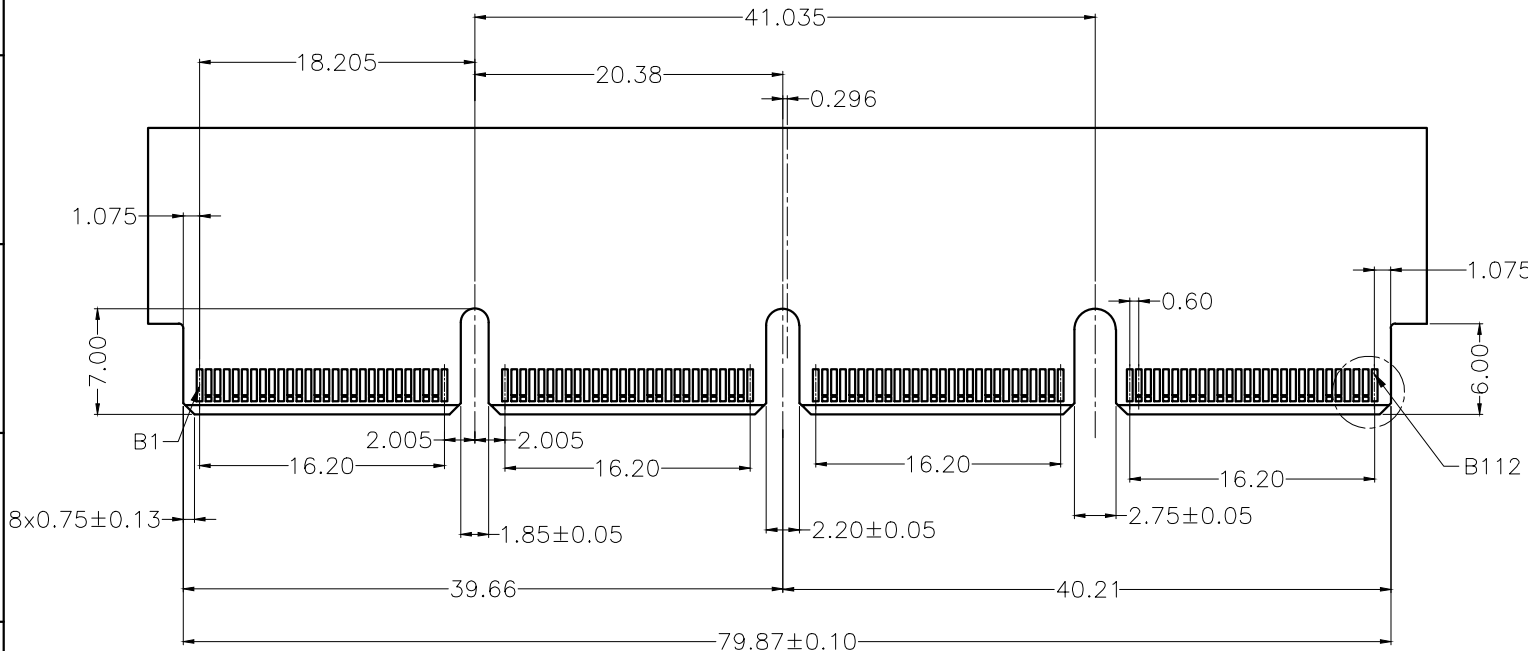
- SLIVER
- STYLE
- PLASTIC MATERIAL
- 2:LCP
- COLOUR
- 1:BLACK
- SOCKET / RECEPTACLE
- VERTICAL
- PIN
- 05:224pin
- PLATING FOR MATING AREA
- 1:G/F
- 2:15u" GOLD
- 3:30u" GOLD

NOTES:
 1.MATERIAL:
 HOUSING:GLASS FILLED LIQUID CRYSTAL POLYMER UL94-V0 BLACK
 CONTACT: COPPER ALLOY C5210
 SEPTUM: STAINLESS STEEL
 2.MATING CARD THICKNESS:1.57±0.13
 3.PCB THICKNESS:1.93±0.19

APPROVE	TITLE	DELECO		東莞多亞電子有限公司 Dongguan Duoya Electronics Co.,Ltd	
CHECK	PART NO.	GENERAL TOLERANCE			UNITS
DRAW	REV	DATE	DRAW	CHECK	APPROVE
	A	2024-06-11	Wshping	Wshping	De
			.X± 0.15	X.°± 2°	SCALE
			.XX± 0.10	X.°± 0.5°	3:2
			.XXX±		SHEET
					1/3
					SIZE
					A4
					REV
					A

AIG MAOTING CARD

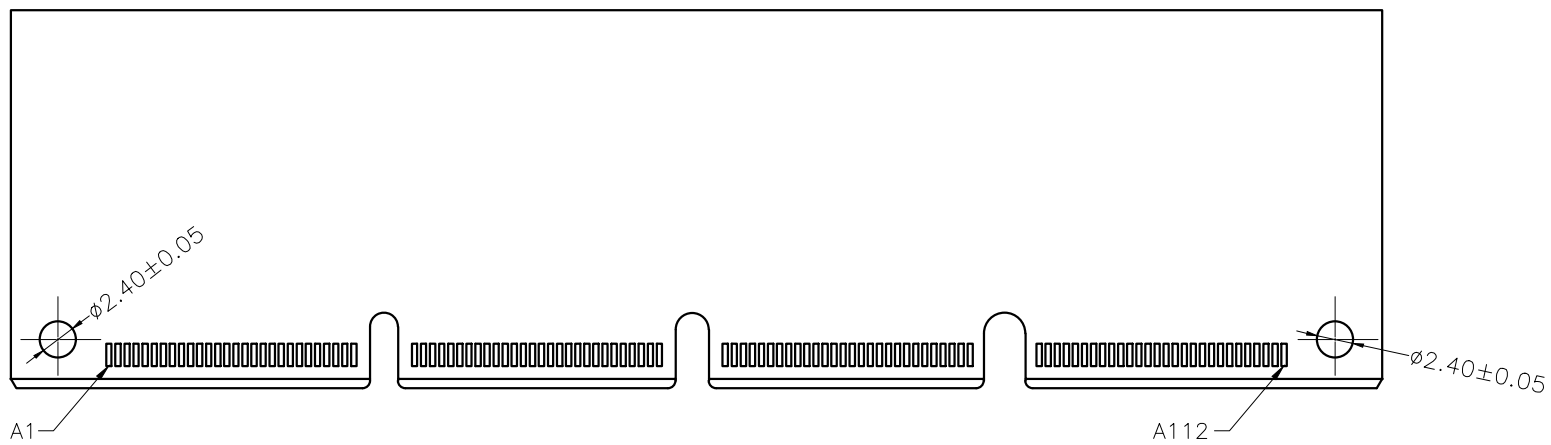
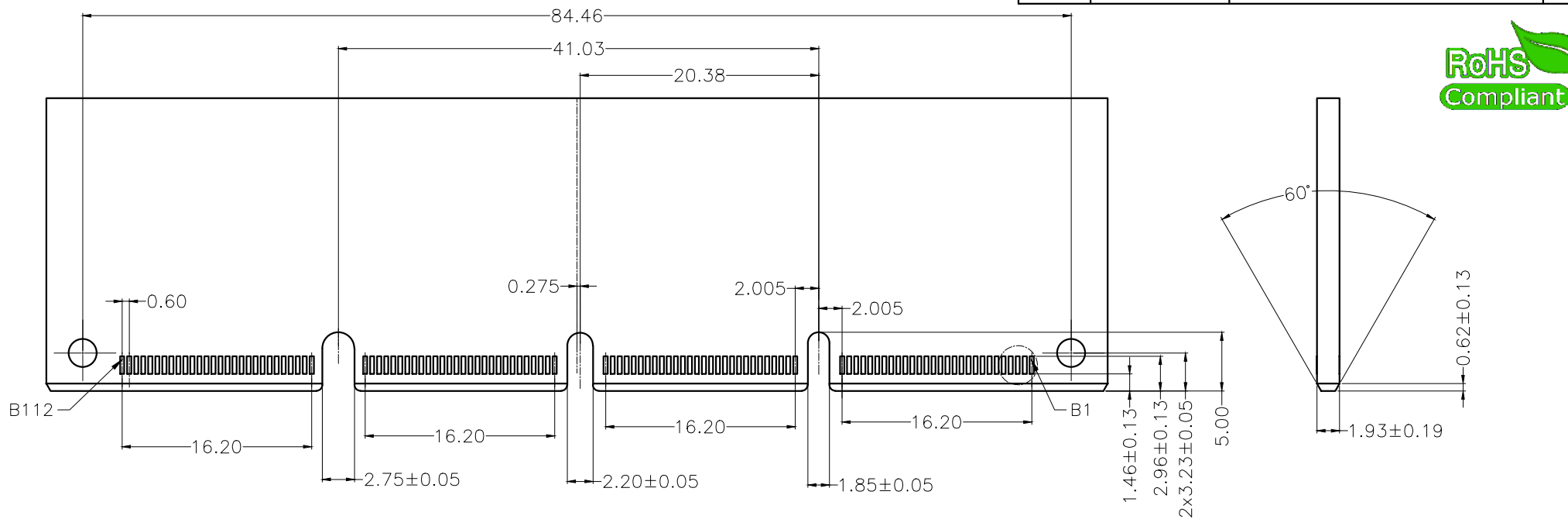
版本	发行日期	发行原因	发行者
A	2024-06-11	新版发行	S.H.P.S.M.B



APPROVE	TITLE EDGELINE SLIVER 1.93mm PCB 224CKTS STRADDLE MOUNT					DELEC		東莞多亞電子有限公司 Dongguan Duoya Electronics Co.,Ltd		
CHECK	PART NO. DE902-121F00105X					GENERAL TOLERANCE			UNITS mm	SIZE A4
DRAW	REV	DATE	DRAW	CHECK	APPROVE	.X± 0.15	X.°± 2°	SCALE 4:1	SHEET 2/3	REV A
	A	2024-06-11	Wshping	Wshping	De	.XX± 0.10	X.°± 0.5°			
						.XXX±				

CONNECTOR FOOTPRINT

版本	发行日期	发行原因	发行者
A	2024-06-11	新版发行	S.H.P.S.M.B



APPROVE	TITLE EDGELINE SLIVER 1.93mm PCB 224CKTS STRADDLE MOUNT					DELEC		東莞多亞電子有限公司 Dongguan Duoya Electronics Co.,Ltd		
CHECK	PART NO. DE902-121F00105X					GENERAL TOLERANCE			UNITS mm	SIZE A4
DRAW	REV	DATE	DRAW	CHECK	APPROVE	.X± 0.15	X.°± 2°	SCALE 4:1	SHEET 3/3	REV A
	A	2024-06-11	Wahping	Wahping	De	.XX± 0.10	X.°± 0.5°			
						.XXX±				