

DE93-1B1F003XXX	
SERIES, IX INDUSTRIAL	
KEY	
1:A KEY	
2:B KEY	
3:C KEY	
PLASTIC MATERIAL	
B:LCP	
COLOUR	
1:BLACK	
SOCKET / RECEPTACLE	
VERTICAL	
PIN	
PLATING FOR MATING AREA	
1:G/F	
2:15u" GOLD	
3:30u" GOLD	

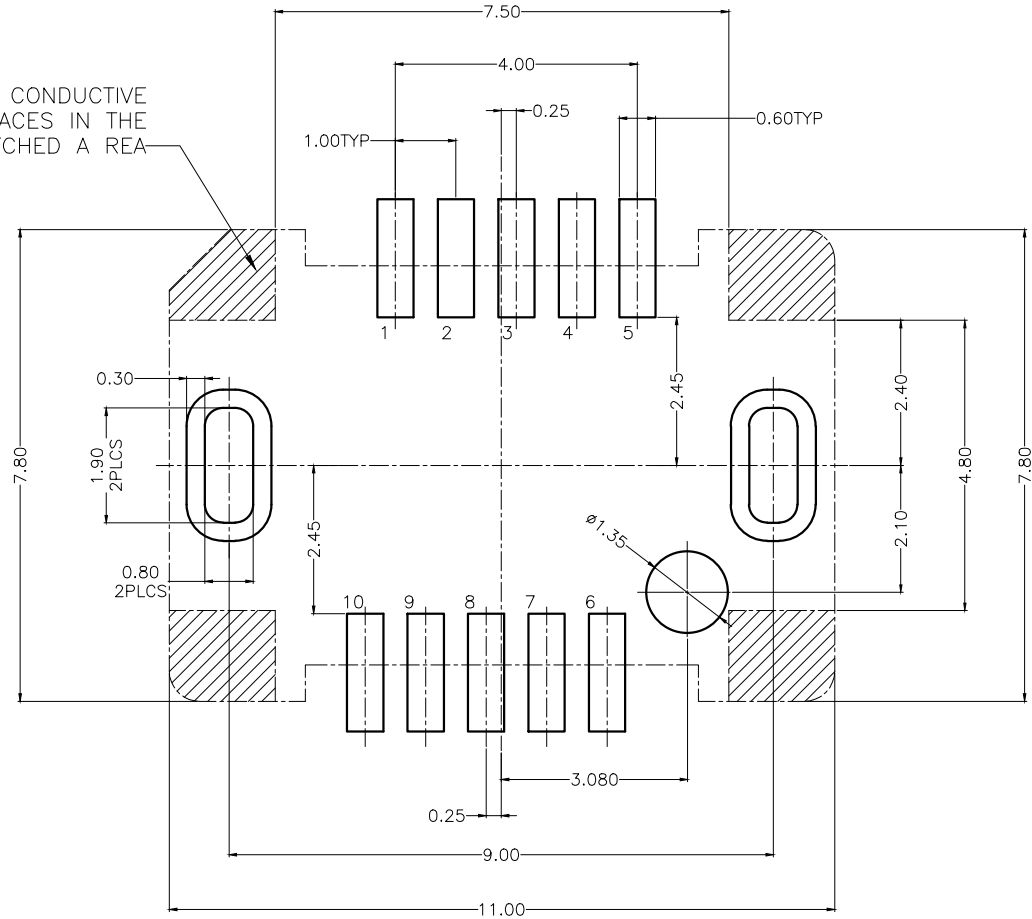
NOTES:

- MATERIAL: RoHS COMPLIANT PER EU DIRECTIVE 2011/65/EU AND AMENDMENTS. STAINLESS STEEL, MATTE TIN OVER NICKEL PLATED. INSERTS: HIGH TEMPERATURE RESISTANT ENGINEERING THERMOPLASTIC, GLASS REINFORCED, UL94V-0. CONTACTS: COPPER ALLOY PLATED WITH GOLD OR PALLADIUM-NICKEL (SEE ORDERING CODE) OVER 1.27µm (50µ") MINIMUM NICKEL ON THE MATING AREA AND MATTE TIN OVER NICKEL ON THE SMT TAILS. CODE 4 MATING AREA PLATING 1.27µm (50µ") GOLD OPTION CONFORMS TO ASTM B488, TYPE 2, CODE C, CLASS 1.25. MID-PLATE: STAINLESS-STEEL
- CONNECTORS ARE PROVIDED IN TAPE & REEL PACKAGING FOR PICK & PLACE PROCESSING AND ARE SUITABLE FOR IR REFLOW SOLDERING OF PIN IN PASTE SHIELD TAILS AND SURFACE MOUNT CONTACT TAILS.
- DESIGNED TO CONFORM TO REQUIREMENTS OF IEC 61076 PART 3-124 SPECIFICATION. THE A KEY FEATURE SHOWN IS INTENDED FOR USE WITH ETHERNET APPLICATIONS, EITHER 10/100 MBit/S OR 1 TO 10 GBit/S (CAT 5e, 6 & 6A).
- CURRENT RATING: 1.5 A PER POSITION (30° MAX TEMPERATURE RISE PER UL1977 & CSA C22.2 NO 182.3 STANDARDS) VOLTAGE RATING: 50V AC rms OR 60V DC
- OPERATING TEMPERATURE -55° TO +105°C.
- DIELECTRIC WITHSTANDING VOLTAGE: 500V DC
- CONTACT RESISTANCE: 30 MILLIOHMS MAXIMUM.
- INSULATION RESISTANCE: 500 MEGOHMS MINIMUM.
- MATING & UNMATING FORCE: 25N (5.6 lbf) MAXIMUM.

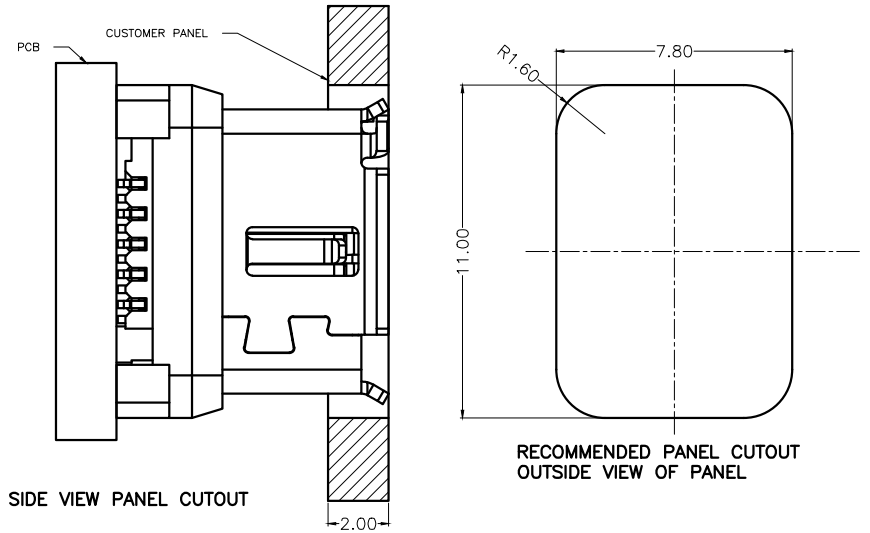
APPROVE	TITLE IX INDUSTRIAL CONNECTOR, 10 POSITION VERTICAL SMT TERMINATION, CAT 6A HIGH SPEED PERFORMANCE, TYPE A KEY, RoHS COMPLIANT	<b>DELEC</b>		東莞多亞電子有限公司 Dongguan Duoya Electronics Co.,Ltd				
CHECK	PART NO. DE93-1B1F003XXX	GENERAL TOLERANCE			UNITS mm	SIZE A4		
DRAW	REV	DATE	DRAW	CHECK	APPROVE	SCALE	SHEET	REV
	A	2024-06-11	Wshping	Wshping	De	4:1	1/3	A



ON CONDUCTIVE TRACES IN THE HATCHED AREA



RECOMMENDED PCB LAYOUT  
COMPONENT SIDE OF BOARD  
SCALE 15:1  
GENERAL TOLERANCE  $\pm 0.05$   
FOR THIS VIEW



SIDE VIEW PANEL CUTOUT

RECOMMENDED PANEL CUTOUT  
OUTSIDE VIEW OF PANEL

CONNECTOR PIN ASSIGNMENT		
POSITION NUMBER	PIN ASSIGNMENT 10 OR 100 MBit/S ETHERNET	PIN ASSIGNMENT 1, 2.5, 5 OR 10 GBit/S ETHERNET
1	TX+	BI_DA+
2	TX-	BI_DA-
3	NOT USED	GND
4	NOT USED	BI_DC+
5	NOT USED	BI_DC-
6	RX+	BI_DB+
7	RX-	BI_DB-
8	NOT USED	GND
9	NOT USED	BI_DD+
10	NOT USED	BI_DD-

APPROVE	TITLE IX INDUSTRIAL CONNECTOR, 10 POSITION VERTICAL SMT TERMINATION, CAT 6A HIGH SPEED PERFORMANCE, TYPE A KEY, RoHS COMPLIANT				
CHECK	PART NO. DE93-1B1F003XXX				
DRAW	REV	DATE	DRAW	CHECK	APPROVE
	A	2024-06-11	Wshping	Wshping	De

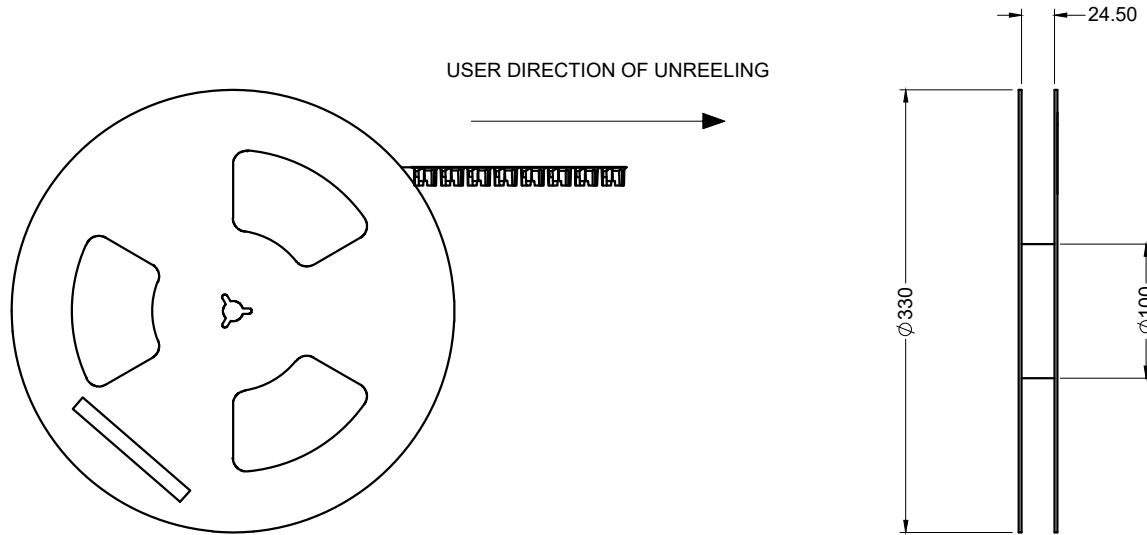
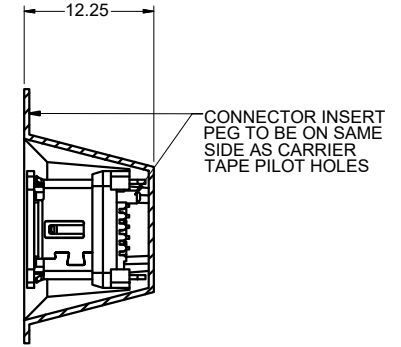
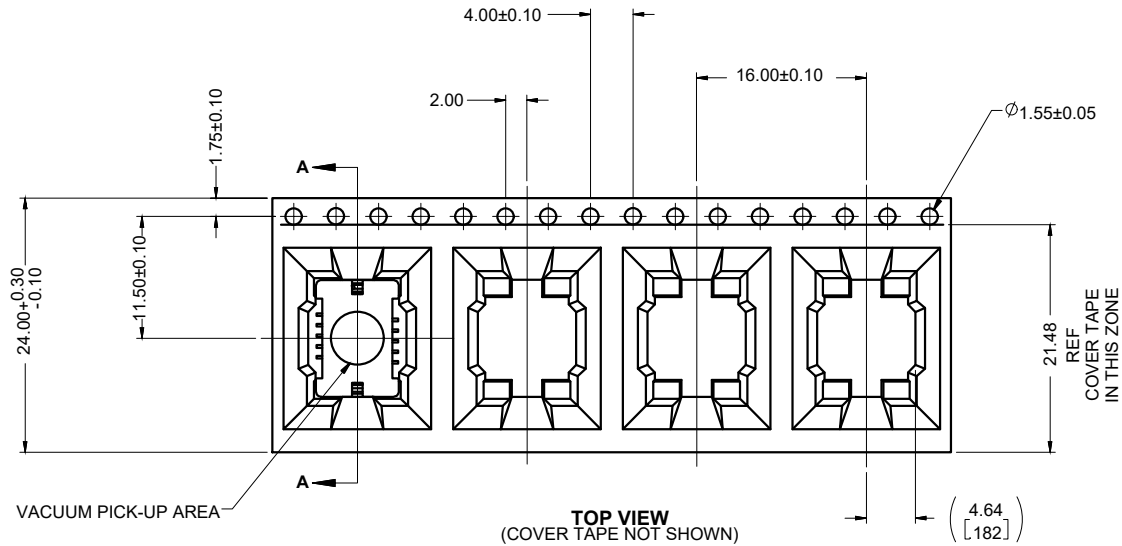


東莞多亞電子有限公司  
Dongguan Duoya Electronics Co.,Ltd

GENERAL TOLERANCE		UNITS	SIZE
.X $\pm$ 0.15 X. $^{\circ}$ $\pm$ 2° .XX $\pm$ 0.10 X. $^{\circ}$ $\pm$ 0.5° .XXX $\pm$		mm	A4
SCALE		SHEET	REV
8:1		2/3	A



版本	发行日期	发行原因	发行者
A	2024-06-11	新版发行	DDPS



PACKAGING NOTES:  
 1.EACH REEL TO CONTAIN A QUANTITY OF 350 CONNECTORS.  
 2.EACH FULL CARTON TO CONTAIN A QUANTITY OF 9 REELS  
 TOTAL OF 3150 CONNECTORS.

APPROVE	TITLE IX INDUSTRIAL CONNECTOR, 10 POSITION VERTICAL SMT TERMINATION, CAT 6A HIGH SPEED PERFORMANCE, TYPE A KEY, RoHS COMPLIANT				
CHECK	PART NO. DE93-1B1F003XXX				
DRAW	REV	DATE	DRAW	CHECK	APPROVE
	A	2024-06-11	Wshping	Wshping	De



東莞多亞電子有限公司  
Dongguan Duoya Electronics Co.,Ltd

GENERAL TOLERANCE	SCALE 8:1	UNITS mm	SIZE A4
.X± 0.15 X.°± 2° .XX± 0.10 X.°± 0.5° .XXX±		SHEET 3/3	REV A