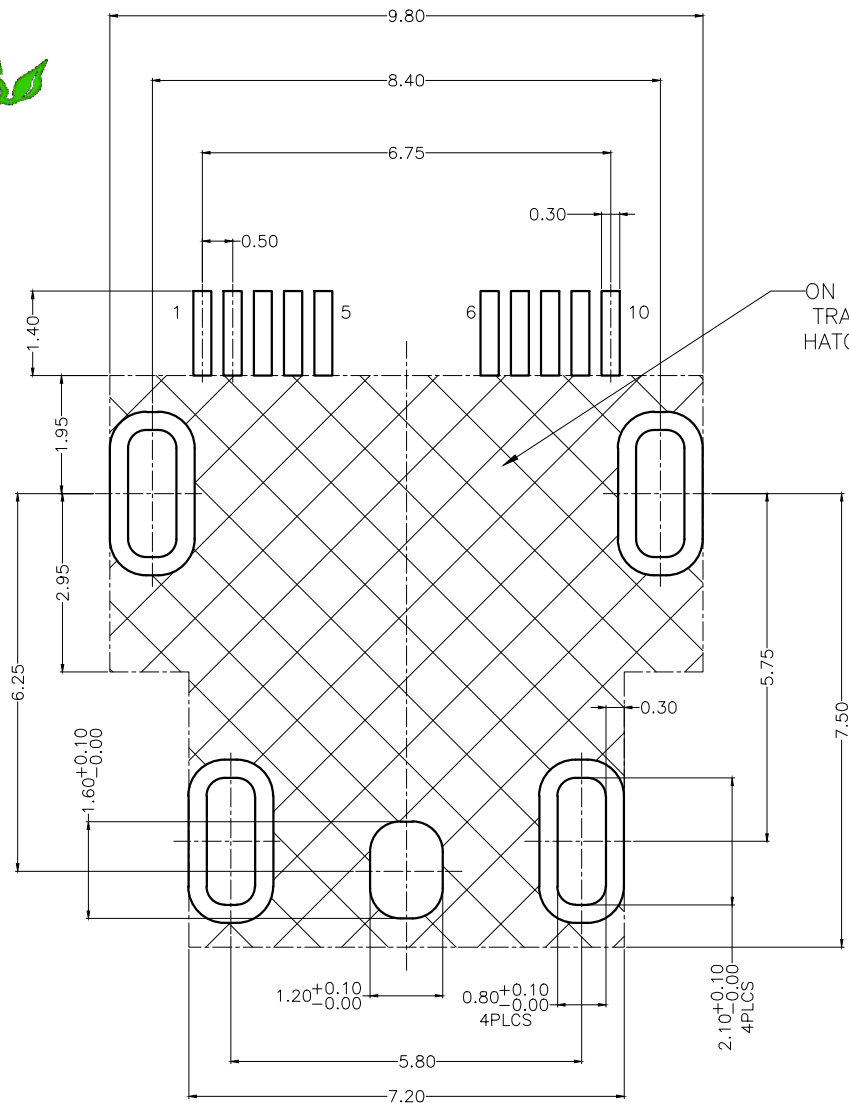


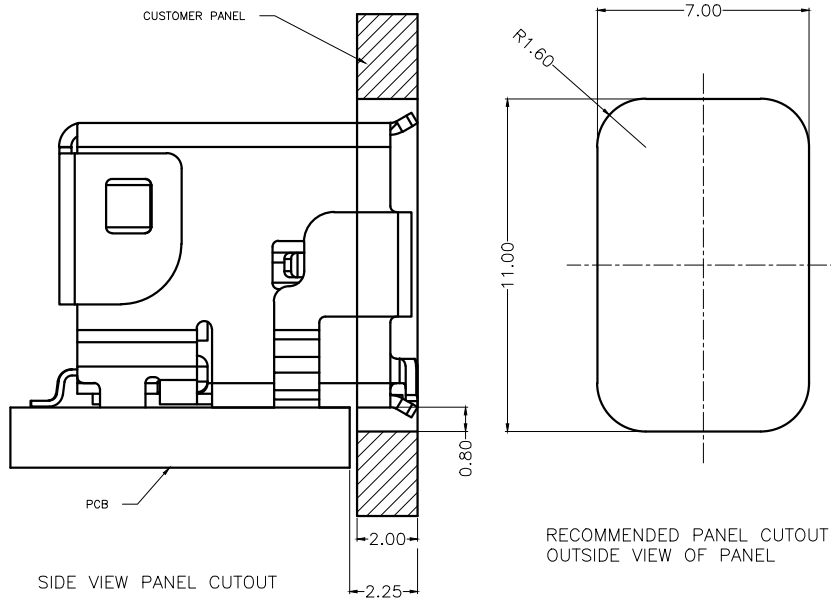
NOTES:

- MATERIAL: RoHS COMPLIANT PER EU DIRECTIVE 2011/65/EU AND AMENDMENTS. STAINLESS STEEL, MATTE TIN OVER NICKEL PLATED. INSERTS: HIGH TEMPERATURE RESISTANT ENGINEERING THERMOPLASTIC, GLASS REINFORCED, UL94V-0.
- CONTACTS: COPPER ALLOY PLATED WITH GOLD OR PALLADIUM-NICKEL (SEE ORDERING CODE) OVER 1.27µm (50µ") MINIMUM NICKEL ON THE MATING AREA AND MATTE TIN OVER NICKEL ON THE SMT TAILS. CODE 4 MATING AREA PLATING 1.27µm (50µ") GOLD OPTION CONFORMS TO ASTM B488, TYPE 2, CODE C, CLASS 1.25.
- MID-PLATE: STAINLESS-STEEL
- CONNECTORS ARE PROVIDED IN TAPE & REEL PACKAGING FOR PICK & PLACE PROCESSING AND ARE SUITABLE FOR IR REFLOW SOLDERING OF PIN IN PASTE SHIELD TAILS AND SURFACE MOUNT CONTACT TAILS.
- DESIGNED TO CONFORM TO REQUIREMENTS OF IEC 61076 PART 3-124 SPECIFICATION. THE A KEY FEATURE SHOWN IS INTENDED FOR USE WITH ETHERNET APPLICATIONS, EITHER 10/100 MBit/S OR 1 TO 10 GBit/S (CAT 5e, 6 & 6A).
- CURRENT RATING:
1.5 A PER POSITION (30° MAX TEMPERATURE RISE PER UL1977 & CSA C22.2 NO 182.3 STANDARDS)
3A WITH POSITIONS 1, 2, 6, 7 ENERGIZED (TEMPERATURE RISE PLUS AMBIENT LESS THAN LOWEST RELATIVETHERMAL INDEX TEMPERATURE OF THE PLASTICS)
- VOLTAGE RATING: 50V AC rms OR 60V DC
- OPERATING TEMPERATURE -55° TO +105°C.
- DIELECTRIC WITHSTANDING VOLTAGE: 500V DC
- CONTACT RESISTANCE: 30 MILLIOHMS MAXIMUM.
- INSULATION RESISTANCE: 500 MEGOHMS MINIMUM.
- MATING & UNMATING FORCE: 25N (5.6 lbf) MAXIMUM.

APPROVE	TITLE	IX INDUSTRIAL CONNECTOR, 10 POSITION A KEY RIGHT ANGLE STYLE,SMT TERMINATION,CAT 6A HIGH SPEED PERFORMANCE,RoHS COMPLAENT		DELEC		東莞多亞電子有限公司 Dongguan Duoya Electronics Co.,Ltd		
CHECK	PART NO.	DE93-1B1F001XXX		GENERAL TOLERANCE			UNITS mm	SIZE A4
DRAW	REV	DATE	DRAW	CHECK	APPROVE	.X± 0.15	SCALE 4:1	SHEET 1/3
	A	2024-06-11	Wahping	Wahping	De	.XX± 0.10		
						.XXX±		



RECOMMENDED PCB LAYOUT
 COMPONENT SIDE OF BOARD
 SCALE 12:1
 GENERAL TOLERANCE ±0.05
 FOR THIS VIEW



CONNECTOR PIN ASSIGNMENT		
POSITION NUMBER	PIN ASSIGNMENT 10 OR 100 MBit/S ETHERNET	PIN ASSIGNMENT 1, 2.5, 5 OR 10 GBit/S ETHERNET
1	TX+	BI_DA+
2	TX-	BI_DA-
3	NOT USED	GND
4	NOT USED	BI_DC+
5	NOT USED	BI_DC-
6	RX+	BI_DB+
7	RX-	BI_DB-
8	NOT USED	GND
9	NOT USED	BI_DD+
10	NOT USED	BI_DD-

版本	发行日期	发行原因	发行者
A	2024-06-11	新版发行	廖少强

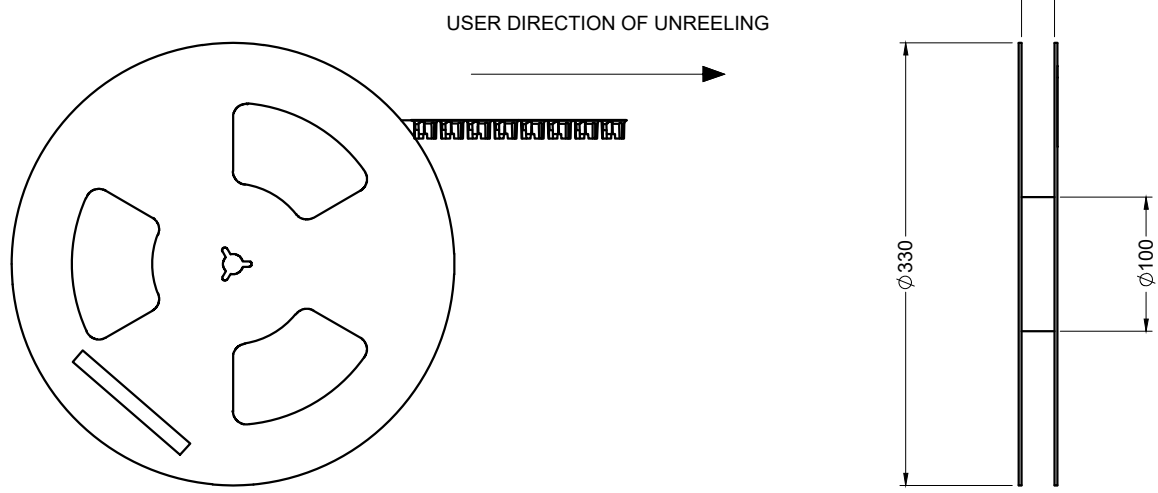
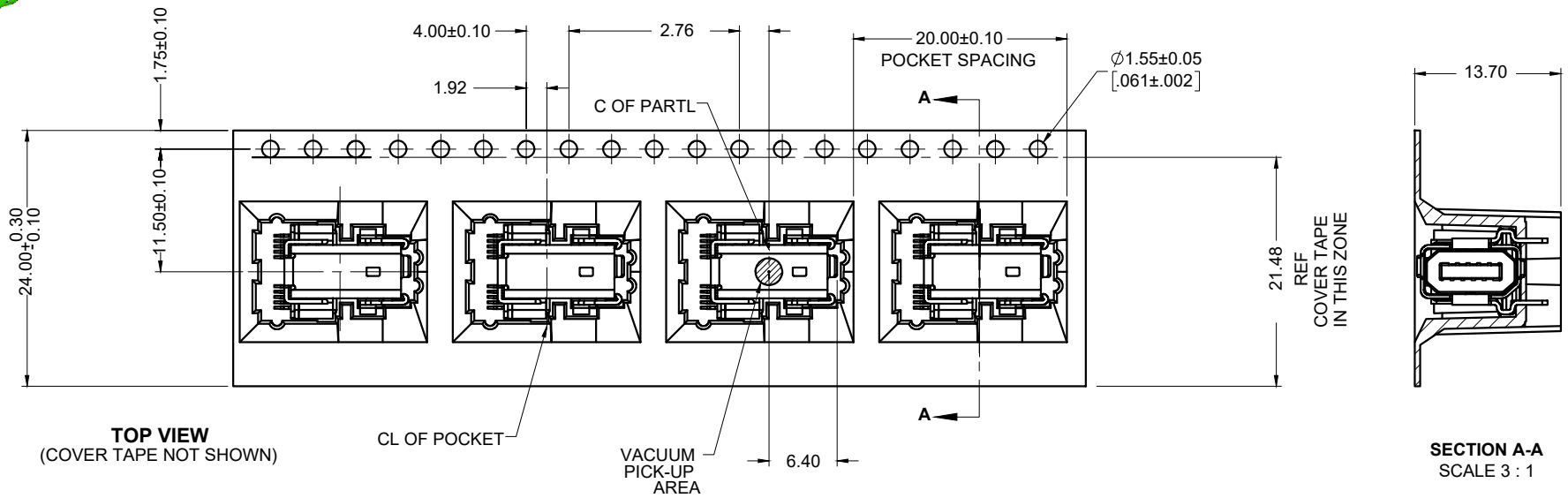
APPROVE	TITLE IX INDUSTRIAL CONNECTOR, 10 POSITION A KEY RIGHT ANGLE STYLE,SMT TERMINATION,CAT 6A HIGH SPEED PERFORMANCE,ROHS COMPLAENT				
CHECK	PART NO. DE93-1B1F001XXX				
DRAW	REV	DATE	DRAW	CHECK	APPROVE
	A	2024-06-11	Wshping	Wshping	De

DELEC 東莞多亞電子有限公司
 Dongguan Duoya Electronics Co.,Ltd

GENERAL TOLERANCE		UNITS	SIZE
.X± 0.15 X.°± 2° .XX± 0.10 X.°± 0.5° .XXX±		mm	A4
SCALE		SHEET	REV
8:1		2/3	A



版本	发行日期	发行原因	发行者
A	2024-06-11	新版发行	S.P.S.M.B



PACKAGING NOTES:
 1.EACH REEL TO CONTAIN A QUANTITY OF 240 CONNECTORS.
 2.EACH FULL CARTON TO CONTAIN A QUANTITY OF 9 REELS
 TOTAL OF 2160 CONNECTORS.

APPROVE	TITLE IX INDUSTRIAL CONNECTOR, 10 POSITION A KEY RIGHT ANGLE STYLE,SMT TERMINATION,CAT 6A HIGH SPEED PERFORMANCE,ROHS COMPLAINT					DELEC		東莞多亞電子有限公司 Dongguan Duoya Electronics Co.,Ltd		
CHECK	PART NO. DE93-1B1F001XXX					GENERAL TOLERANCE			UNITS mm	SIZE A4
DRAW	REV	DATE	DRAW	CHECK	APPROVE	.X± 0.15	X.°± 2°	SCALE 8:1	SHEET 3/3	REV A
	A	2024-06-11	Wshping	Wshping	Dr	.XX± 0.10	X°± 0.5°			
						.XXX±				