



# SPECIFICATION FOR APPROVAL

<b>DELEC</b>		
MARKETING GROUP	R&D GROUP	QA GROUP
ISSUED BY	CHECKED BY	QA INSPECTION
Peter	Weide Li	Tingliu

## CUSTOMER

### CUSTOMER APPROVAL:

APPROVAL       CONCESSIONARY       REJECTED

ISSUED BY : \_\_\_\_\_

CHECKED BY: \_\_\_\_\_

APPROVED BY: \_\_\_\_\_

COMMENTS : \_\_\_\_\_

CUSTOMER: \_\_\_\_\_

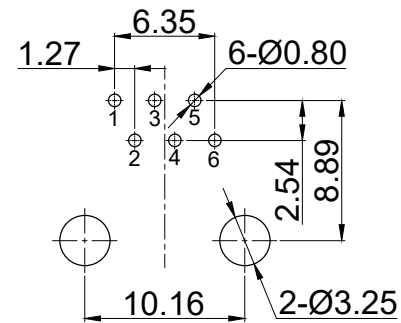
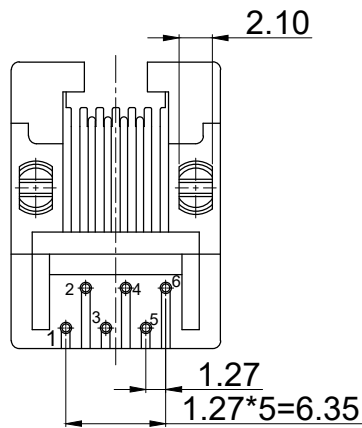
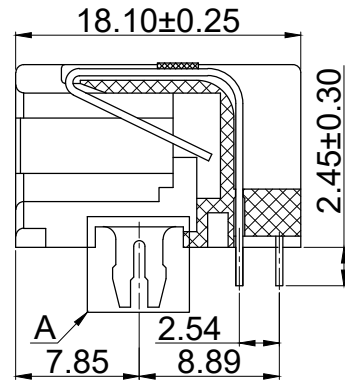
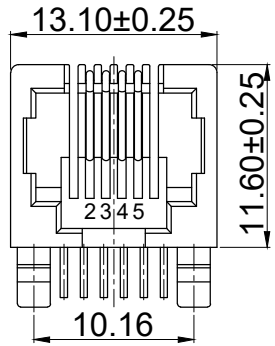
CUSTOMER PART NO: \_\_\_\_\_

SAMPLE Q'TY: \_\_\_\_\_

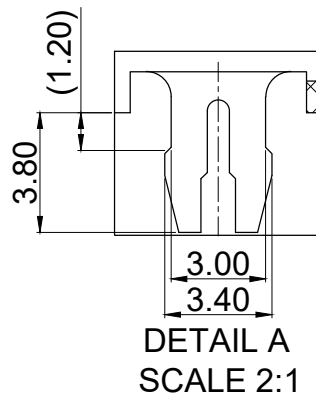
TITLE 6P6C SIDE ENTRY WITHOUT SHIELDED APPLICABLE FOR 1.2T PCB BOARD				<b>DELEC</b>		东莞多亚电子有限公司 DONGGUAN DUOYA ELECTRONICS CO., LTD		
PART NO. DE53-9D21034-001				GENERAL TOLERANCE			UNIT:MM(INCH)	SIZE: A4
DRAW	Peter	DATE	2022-03-27	.X±0.35	.X±1°	SCALE: 1:1	SHEET: 1/4	REV:A
CHECK	Peter	DATE	2022-03-27	.XX±0.25	.XX±0.5°			
APPROVE	De	DATE	2022-03-27	.XXX±0.10				



## MECHANICAL DIMENSION



RECOMMENDED PCB LAYOUT  
(COMPONENT SIDE VIEW)



DETAIL A  
SCALE 2:1

## SPECIFICATION AND PERFORMANCE



### 1 Scope

This specification covers the requirements for product performance, tests and quality assurance provisions for side entry PCB jack

### 2 Applicable document

The following documents form a part of this specification to the extent specified herein. In the event of conflict between the requirements of this specification and the product drawing shall take precedence

### 3 Materials

Plastic Housing: Thermoplastic PBT Flammability Rating UL94V-0.  
(Color: pantone Gray 3U)

Contact: phosphor bronze  $\varnothing=0.46\text{mm}$  round Pin

Plating: 1u" Gold plating over nickel

PCB retention fre-solder: 1LB min.

### 4. Mechanical characteristics:

Durability: 750(modular jack) insertion/plug dimension cycles

Mates with modular plug conforming to FCC part 68 subpart F

### 5. Electrical

Current rating: 1.5AMP

Voltage rating: 125VAC max.

Contact resistance: 30 milliohms max.

Insulation resistance: 500 megohms min. @500 VDC.

Dielectric strength: 1000 VAC RMS 60Hz, 1min.

### 6. Environmental:

Operating temperature:  $-40^{\circ}\text{C}\sim+85^{\circ}\text{C}$

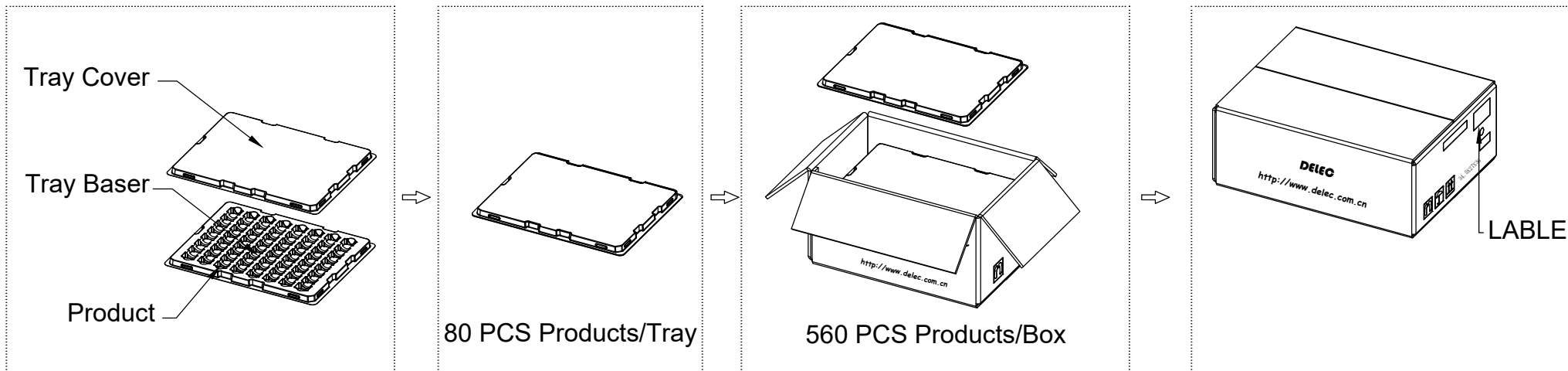
Storage temperature:  $-40^{\circ}\text{C}\sim+85^{\circ}\text{C}$

### 7. Applicable printed circuit board

The product is designed to meet the electrical, mechanical and environmental performance requirements specified in product drawing

TITLE 6P6C SIDE ENTRY WITHOUT SHIELDED APPLICABLE FOR 1.2T PCB BOARD				<b>DELEC</b>		东莞多亚电子有限公司 DONGGUAN DUOYA ELECTRONICS CO., LTD		
PART NO. DE53-9D21034-001				GENERAL TOLERANCE			UNIT:MM(INCH)	SIZE: A4
DRAW	Peter	DATE	2022-03-27	.X±0.35	.X±1°	SCALE: 1:1	SHEET: 3/4	REV:A
CHECK	Peter	DATE	2022-03-27	.XX±0.25	.XX±0.5°			
APPROVE	De	DATE	2022-03-27	.XXX±0.10				

PACKAGE INFORMATION AND LABEL



PACKING QUANTITY : 80 PCS FINISHED GOODS PER TRAY  
 14 TRAYS (1120 PCS FINISHED GOODS) PER CARTON BOX

TITLE 6P6C SIDE ENTRY WITHOUT SHIELDED APPLICABLE FOR 1.2T PCB BOARD				<b>DELEC</b>		东莞多亚电子有限公司 DONGGUAN DUOYA ELECTRONICS CO., LTD		
PART NO. DE53-9D21034-001				GENERAL TOLERANCE			UNIT:MM(INCH)	SIZE: A4
DRAW	Peter	DATE	2022-03-27	.X±0.35	.X±1°	SCALE: 1:1	SHEET: 4/4	REV:A
CHECK	Peter	DATE	2022-03-27	.XX±0.25	.XX±0.5°			
APPROVE	De	DATE	2022-03-27	.XXX±0.10				