



SPECIFICATION FOR APPROVAL

DELEC		
MARKETING GROUP	R&D GROUP	QA GROUP
ISSUED BY	CHECKED BY	QA INSPECTION
Peter	Weide Li	Ting Liu

CUSTOMER

CUSTOMER APPROVAL:

APPROVAL CONCESSIONARY REJECTED

ISSUED BY : _____

CHECKED BY: _____

APPROVED BY: _____

CUSTOMER: _____

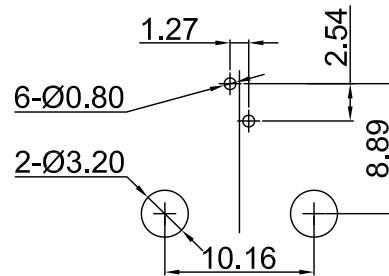
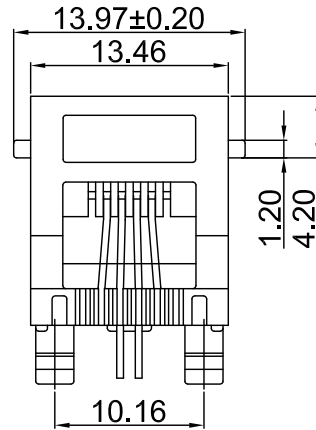
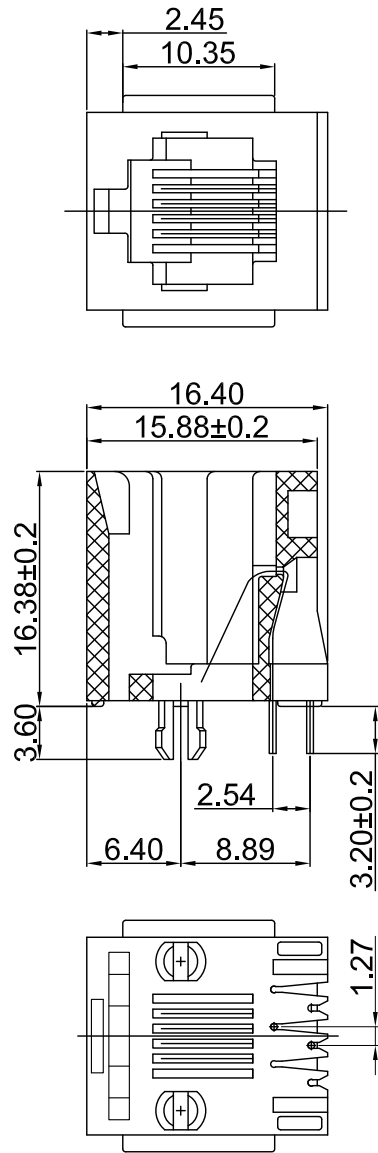
CUSTOMER PART NO: _____

SAMPLE Q'TY: _____

COMMENTS : _____

TITLE 6P2C TOP ENTRY FLANGED PCB JACK WITHOUT SHIELDED				DELEC		东莞多亚电子有限公司 DONGGUAN DUOYA ELECTRONICS CO., LTD		
PART NO. DE52-1D11017-006				GENERAL TOLERANCE			UNIT:MM(INCH)	SIZE: A4
DRAW	Peter	DATE	2020-11-06	.X±0.20	.X±1°	SCALE: 1:1	SHEET: 1/4	REV:A
CHECK	Peter	DATE	2020-11-06	.XX±0.15	.XX±0.5°			
APPROVE	De	DATE	2020-11-06	.XXX±0.10				

MECHANICAL DIMENSION



RECOMMENDED PCB LAYOUT (COMPONENT SIDE VIEW)



SPECIFICATION AND PERFORMANCE

1 Scope

This specification covers the requirements for product performance, tests and quality assurance provisions for side entry PCB jack

2 Applicable document

The following documents form a part of this specification to the extent specified herein. In the event of conflict between the requirements of this specification and the product drawing shall take precedence

3 Materials

Plastic Housing: Glass filled polyester PBT UL 94V-0

(Color :pantone Black)

Contact: phosphor bronze $\varnothing=0.46\text{mm}$ round Pin

Plating: 6 u" Gold plating over nickel

PCB retention fre-solder: 1LB min.

4. Mechanical characteristics:

Durability: 750(modular jack) insertion/plug dimension cycles

Mates with modular plug conforming to FCC part 68 subpart F

5. Electrical

Current rating: 1.5AMP

Voltage rating: 125VAC max.

Contact resistance: 30 milliohms max.

Insulation resistance: 500 megohms min. @500 VDC.

Dielectric strength: 1000 VAC RMS 60Hz, 1min.

6. Environmental:

Operating temperature: $-40^{\circ}\text{C}\sim+85^{\circ}\text{C}$

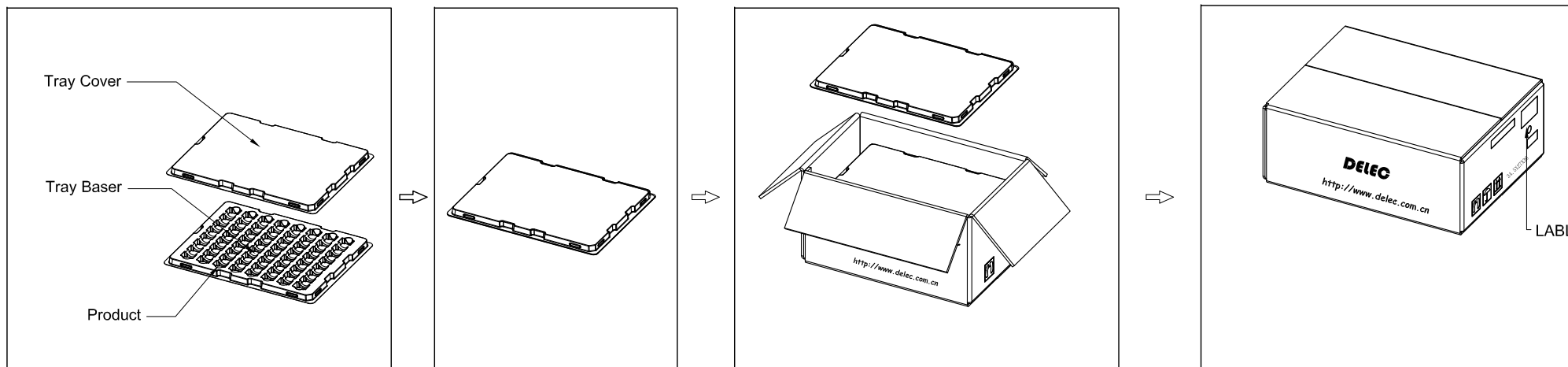
Storage temperature: $-40^{\circ}\text{C}\sim+85^{\circ}\text{C}$

7. Applicable printed circuit board

The product is designed to meet the electrical, mechanical and environmental performance requirements specified in product drawing

TITLE 6P2C TOP ENTRY FLANGED PCB JACK WITHOUT SHIELDED				DELEC		东莞多亚电子有限公司 DONGGUAN DUOYA ELECTRONICS CO., LTD		
PART NO. DE52-1D11017-006				GENERAL TOLERANCE			UNIT:MM(INCH)	SIZE: A4
DRAW	Peter	DATE	2020-11-06	.X±0.20	.X±1°	SCALE: 1:1	SHEET: 3/4	REV:A
CHECK	Peter	DATE	2020-11-06	.XX±0.15	.XX±0.5°			
APPROVE	De	DATE	2020-11-06	.XXX±0.10				

PACKAGE INFORMATION AND LABEL



PACKING QUANTITY : 128 PCS FINISHED GOODS PER TRAY
 14 TRAYS (1792 PCS FINISHED GOODS) PER CARTON BOX

TITLE 6P2C TOP ENTRY FLANGED PCB JACK WITHOUT SHIELDED				DELEC		东莞多亚电子有限公司 DONGGUAN DUOYA ELECTRONICS CO., LTD		
PART NO. DE52-1D11017-006				GENERAL TOLERANCE			UNIT:MM(INCH)	SIZE: A4
DRAW	Peter	DATE	2020-11-06	.X±0.20	.X±1°	SCALE: 1:1	SHEET: 4/4	REV:A
CHECK	Peter	DATE	2020-11-06	.XX±0.15	.XX±0.5°			
APPROVE	De	DATE	2020-11-06	.XXX±0.10				