



SPECIFICATION FOR APPROVAL

| | | |
|-----------------|------------|---------------|
| DELEC | | |
| MARKETING GROUP | R&D GROUP | QA GROUP |
| ISSUED BY | CHECKED BY | QA INSPECTION |
| Peter | Weide Li | Ting Liu |

CUSTOMER

CUSTOMER APPROVAL:

APPROVAL CONCESSIONARY REJECTED

ISSUED BY : _____

CHECKED BY: _____

APPROVED BY: _____

CUSTOMER: _____

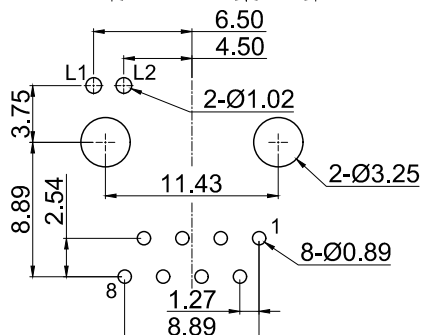
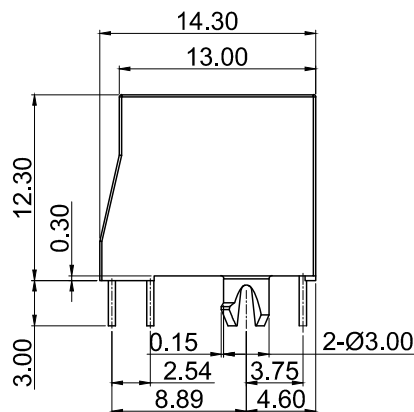
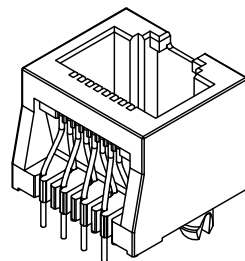
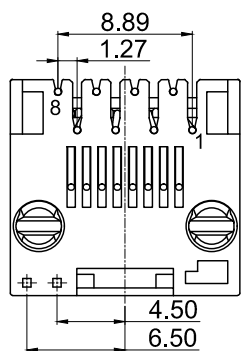
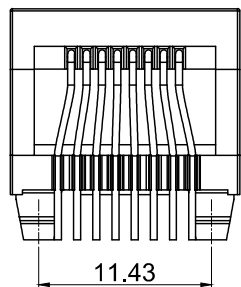
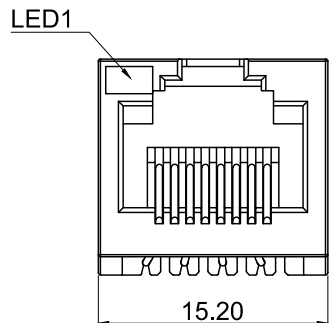
CUSTOMER PART NO: _____

SAMPLE Q'TY: _____

COMMENTS : _____

| | | | | | | | | | |
|---|-------|------|------------|-------------------|----------|---|---------------|------------|-------|
| TITLE RJ45 1*1 TOP ENTRY FLANGED PCB JACK WITHOUT SHIELDED | | | | DELEC | | 东莞多亚电子有限公司 DONGGUAN DUOYA ELECTRONICS CO., LTD | | | |
| PART NO. DE52-5D1103A-201 | | | | GENERAL TOLERANCE | | | UNIT:MM(INCH) | SIZE: A4 | |
| DRAW | Peter | DATE | 2022-08-10 | .X±0.35 | .X±1° | | SCALE: 1:1 | SHEET: 1/4 | REV:A |
| CHECK | Peter | DATE | 2022-08-10 | .XX±0.25 | .XX±0.5° | | | | |
| APPROVE | De | DATE | 2022-08-10 | .XXX±0.10 | | | | | |

MECHANICAL DIMENSION



RECOMMENDED PCB LAYOUT
(COMPONENT SIDE VIEW)

SPECIFICATION AND PERFORMANCE



1 Scope

This specification covers the requirements for product performance, tests and quality assurance provisions for side entry PCB jack

2 Applicable document

The following documents form a part of this specification to the extent specified herein. In the event of conflict between the requirements of this specification and the product drawing shall take precedence

3 Materials

Plastic Housing: Glass filled polyester PBT

(Color :pantone Black)

Contact: phosphor bronze $\varnothing=0.46\text{mm}$ round Pin

Plating: F u" Gold plating over nickel

PCB retention fre-solder: 1LB min.

4. Mechanical characteristics:

Durability: 750(modular jack) insertion/plug dimension cycles

Mates with modular plug conforming to FCC part 68 subpart F

5. Electrical

Current rating: 1.5AMP

Voltage rating: 125VAC max.

Contact resistance: 30 milliohms max.

Insulation resistance: 500 megohms min. @500 VDC.

Dielectric strength: 1000 VAC RMS 60Hz, 1min.

6. Environmental:

Operating temperature: $-40^{\circ}\text{C}\sim+85^{\circ}\text{C}$

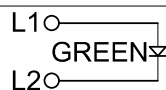
Storage temperature: $-40^{\circ}\text{C}\sim+85^{\circ}\text{C}$

7. Applicable printed circuit board

The product is designed to meet the electrical, mechanical and environmental performance requirements specified in product drawing

LED 1POLARITY

| | | |
|----|----|-------|
| L1 | L2 | COLOR |
| + | - | GREEN |



TITLE
RJ45 1*1 TOP ENTRY FLANGED PCB JACK WITHOUT SHIELDED

DELEC

东莞多亚电子有限公司
DONGGUAN DUOYA ELECTRONICS CO., LTD

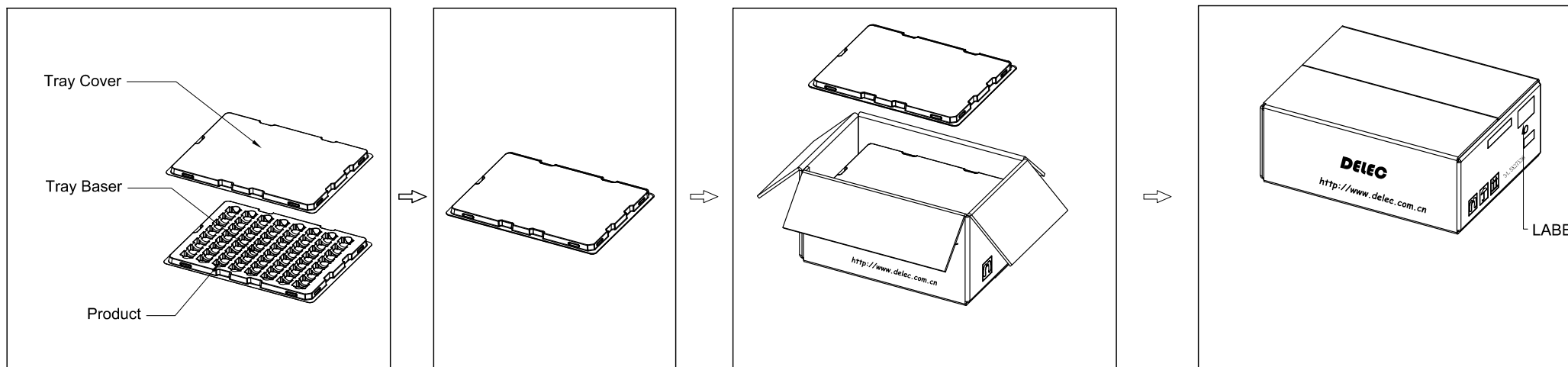
| LED ELECTRICAL / OPTICAL CHARACTERISTICS | | | |
|--|------|---------------------|------------------------|
| COLOR | IF | VF(FORWARD VOLTAGE) | λD DOMINANT WAVELENGTH |
| GREEN | 20mA | 2.2 V | 565nm |

| | | | | | |
|----------|-------|------------------|------------|-------------------|----------|
| PART NO. | | DE52-5D1103A-201 | | GENERAL TOLERANCE | |
| DRAW | Peter | DATE | 2022-08-10 | .X±0.35 | .X±1° |
| CHECK | Peter | DATE | 2022-08-10 | .XX±0.25 | .XX±0.5° |
| APPROVE | De | DATE | 2022-08-10 | .XXX±0.10 | |

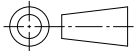
| | |
|---------------|------------|
| UNIT:MM(INCH) | SIZE: A4 |
| SCALE: 1:1 | SHEET: 3/4 |
| | REV:A |



PACKAGE INFORMATION AND LABEL



PACKING QUANTITY : 225 PCS FINISHED GOODS PER TRAY
 20 TRAYS (4500 PCS FINISHED GOODS) PER CARTON BOX

| | | | | | | | | |
|---|-------|------|------------|-------------------|----------|---|---------------|----------|
| TITLE RJ45 1*1 TOP ENTRY FLANGED PCB JACK WITHOUT SHIELDED | | | | DELEC | | 东莞多亚电子有限公司 DONGGUAN DUOYA ELECTRONICS CO., LTD | | |
| PART NO. DE52-5D1103A-201 | | | | GENERAL TOLERANCE | |  SCALE: 1:1 | UNIT:MM(INCH) | SIZE: A4 |
| DRAW | Peter | DATE | 2022-08-10 | .X±0.35 | .X±1° | | SHEET: 4/4 | REV:A |
| CHECK | Peter | DATE | 2022-08-10 | .XX±0.25 | .XX±0.5° | | | |
| APPROVE | De | DATE | 2022-08-10 | .XXX±0.10 | | | | |