



SPECIFICATION FOR APPROVAL

DELEC		
MARKETING GROUP	R&D GROUP	QA GROUP
ISSUED BY	CHECKED BY	QA INSPECTION
Peter	Weide Li	Ting Liu

CUSTOMER

CUSTOMER APPROVAL:

APPROVAL CONCESSIONARY REJECTED

ISSUED BY : _____

CHECKED BY: _____

APPROVED BY: _____

CUSTOMER: _____

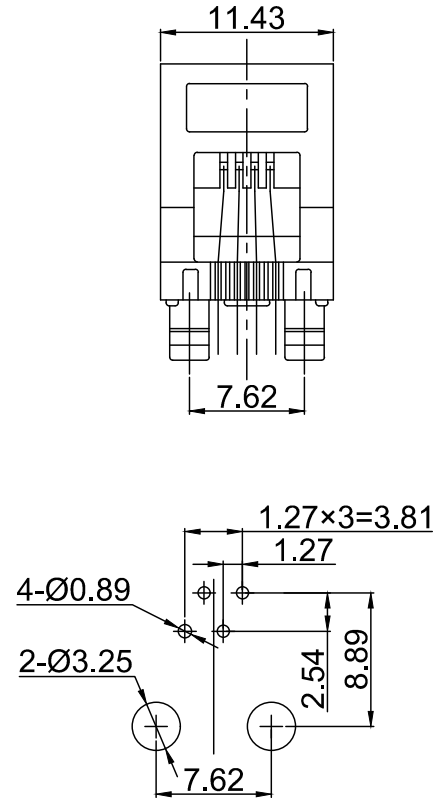
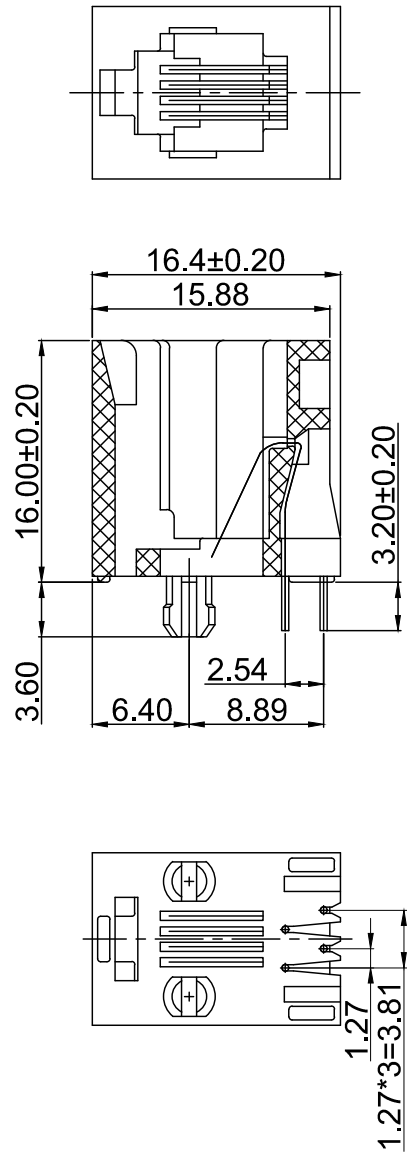
CUSTOMER PART NO: _____

SAMPLE Q'TY: _____

COMMENTS : _____

TITLE 4P4C TOP ENTRY PCB JACK WITHOUT SHIELDED				DELEC		东莞多亚电子有限公司 DONGGUAN DUOYA ELECTRONICS CO., LTD		
PART NO. DE52-1D11038-001				GENERAL TOLERANCE			UNIT:MM(INCH)	SIZE: A4
DRAW	Peter	DATE	2022-06-10	.X±0.35	.X±1°	SCALE: 1:1	SHEET: 1/4	REV:A
CHECK	Peter	DATE	2022-06-10	.XX±0.25	.XX±0.5°			
APPROVE	De	DATE	2022-06-10	.XXX±0.10				

MECHANICAL DIMENSION



RECOMMENDED PCB LAYOUT
(COMPONENT SIDE VIEW)



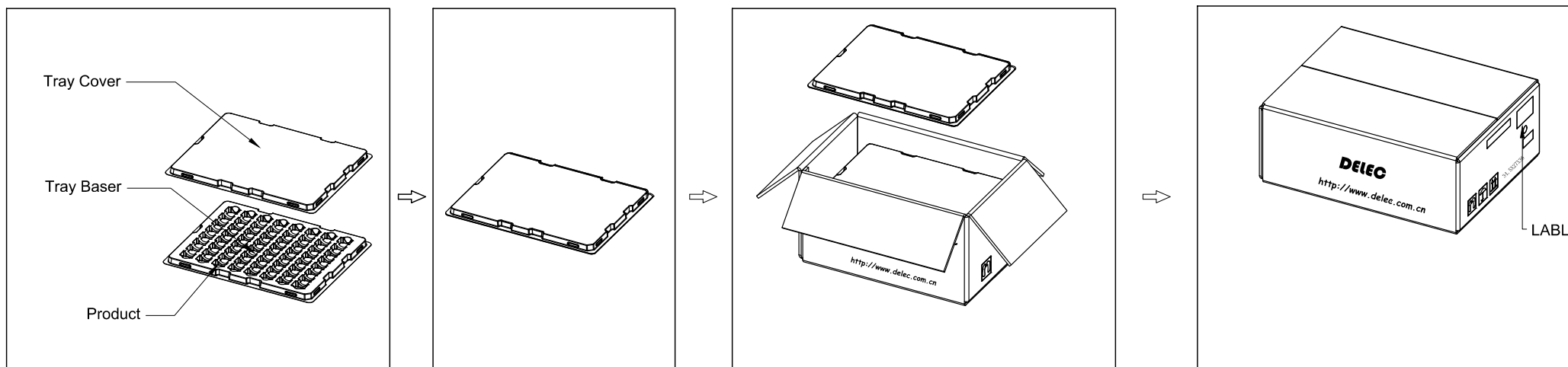
SPECIFICATION AND PERFORMANCE

- 1 Scope
This specification covers the requirements for product performance, tests and quality assurance provisions for side entry PCB jack
- 2 Applicable document
The following documents form a part of this specification to the extent specified herein. In the event of conflict between the requirements of this specification and the product drawing shall take precedence
- 3 Materials
Plastic Housing: Glass filled polyester PBT UL 94V-0 (Color :pantone Black)
Contact: phosphor bronze Ø=0.46mm Round Pin
Plating: F u" Gold plating over nickel
PCB retention fre-solder: 1LB min.
- 4. Mechanical characteristics:
Durability: 750(modular jack) insertion/plug dimension cycles
Mates with modular plug conforming to FCC part 68 subpart F
- 5. Electrical
Current rating: 1.5AMP
Voltage rating: 125VAC max.
Contact resistance: 30 milliohms max.
Insulation resistance: 500 megohms min. @500 VDC.
Dielectric strength: 1000 VAC RMS 60Hz, 1min.
- 6. Environmental:
Operating temperature: -40°C ~ +85°C
Storage temperature: -40°C ~ +85°C
- 7. Applicable printed circuit board
The product is designed to meet the electrical, mechanical and environmental performance requirements specified in product drawing

TITLE 4P4C TOP ENTRY PCB JACK WITHOUT SHIELDED				DELEC		东莞多亚电子有限公司 DONGGUAN DUOYA ELECTRONICS CO., LTD		
PART NO. DE52-1D11038-001				GENERAL TOLERANCE			UNIT:MM(INCH)	SIZE: A4
DRAW	Peter	DATE	2022-06-10	.X±0.35	.X±1°	SCALE: 1:1	SHEET: 3/4	REV:A
CHECK	Peter	DATE	2022-06-10	.XX±0.25	.XX±0.5°			
APPROVE	De	DATE	2022-06-10	.XXX±0.10				



PACKAGE INFORMATION AND LABEL



PACKING QUANTITY : 128 PCS FINISHED GOODS PER TRAY
 14 TRAYS (1792 PCS FINISHED GOODS) PER CARTON BOX

TITLE 4P4C TOP ENTRY PCB JACK WITHOUT SHIELDED				DELEC		东莞多亚电子有限公司 DONGGUAN DUOYA ELECTRONICS CO., LTD		
PART NO. DE52-1D11038-001				GENERAL TOLERANCE			UNIT:MM(INCH)	SIZE: A4
DRAW	Peter	DATE	2022-06-10	.X±0.35	.X±1°		SCALE: 1:1	SHEET: 4/4
CHECK	Peter	DATE	2022-06-10	.XX±0.25	.XX±0.5°			
APPROVE	De	DATE	2022-06-10	.XXX±0.10				