



# SPECIFICATION FOR APPROVAL

<b>DELEC</b>		
MARKETING GROUP	R&D GROUP	QA GROUP
ISSUED BY	CHECKED BY	QA INSPECTION
Peter	Weide Li	Ting Liu

## CUSTOMER

### CUSTOMER APPROVAL:

APPROVAL       CONCESSIONARY       REJECTED

ISSUED BY : \_\_\_\_\_

CHECKED BY: \_\_\_\_\_

APPROVED BY: \_\_\_\_\_

CUSTOMER: \_\_\_\_\_

CUSTOMER PART NO: \_\_\_\_\_

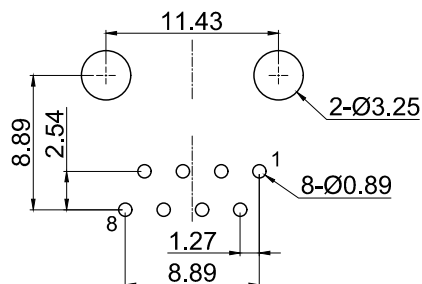
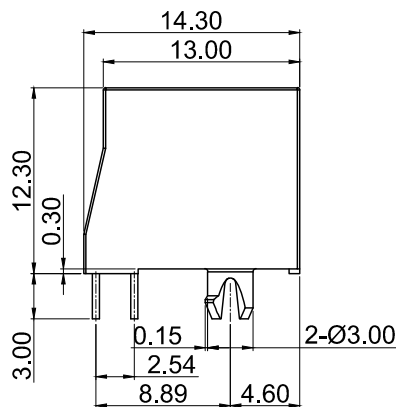
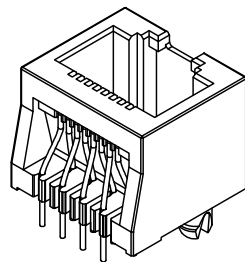
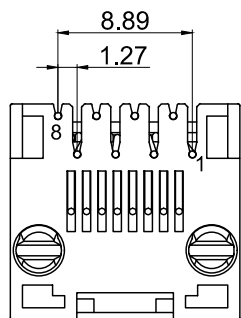
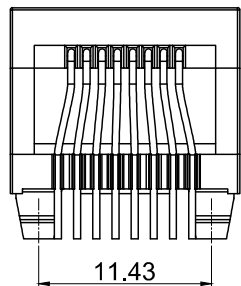
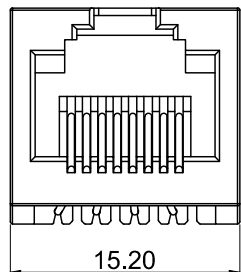
SAMPLE Q'TY: \_\_\_\_\_

COMMENTS : \_\_\_\_\_

TITLE RJ45 1*1 TOP ENTRY FLANGED PCB JACK WITHOUT SHIELDED				<b>DELEC</b>		东莞多亚电子有限公司 DONGGUAN DUOYA ELECTRONICS CO., LTD			
PART NO. DE52-5D1103A-001				GENERAL TOLERANCE			UNIT:MM(INCH)	SIZE: A4	
DRAW	Peter	DATE	2022-08-10	.X±0.35	.X±1°		SCALE: 1:1	SHEET: 1/4	REV:A
CHECK	Peter	DATE	2022-08-10	.XX±0.25	.XX±0.5°				
APPROVE	De	DATE	2022-08-10	.XXX±0.10					



## MECHANICAL DIMENSION



RECOMMENDED PCB LAYOUT  
(COMPONENT SIDE VIEW)

## SPECIFICATION AND PERFORMANCE



### 1 Scope

This specification covers the requirements for product performance, tests and quality assurance provisions for side entry PCB jack

### 2 Applicable document

The following documents form a part of this specification to the extent specified herein. In the event of conflict between the requirements of this specification and the product drawing shall take precedence

### 3 Materials

Plastic Housing: Glass filled polyester PBT

(Color :pantone Black)

Contact: phosphor bronze  $\varnothing=0.46\text{mm}$  round Pin

Plating: F u" Gold plating over nickel

PCB retention fre-solder: 1LB min.

### 4. Mechanical characteristics:

Durability: 750(modular jack) insertion/plug dimension cycles

Mates with modular plug conforming to FCC part 68 subpart F

### 5. Electrical

Current rating: 1.5AMP

Voltage rating: 125VAC max.

Contact resistance: 30 milliohms max.

Insulation resistance: 500 megohms min. @500 VDC.

Dielectric strength: 1000 VAC RMS 60Hz, 1min.

### 6. Environmental:

Operating temperature:  $-40^{\circ}\text{C}\sim+85^{\circ}\text{C}$

Storage temperature:  $-40^{\circ}\text{C}\sim+85^{\circ}\text{C}$

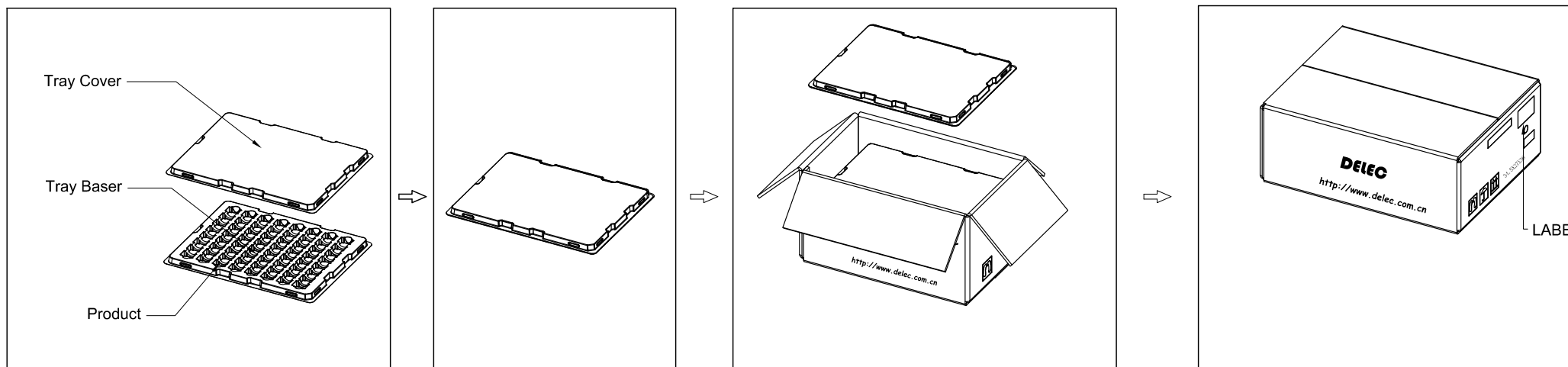
### 7. Applicable printed circuit board

The product is designed to meet the electrical, mechanical and environmental performance requirements specified in product drawing

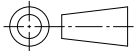
TITLE RJ45 1*1 TOP ENTRY FLANGED PCB JACK WITHOUT SHIELDED				<b>DELEC</b>		东莞多亚电子有限公司 DONGGUAN DUOYA ELECTRONICS CO., LTD		
PART NO. DE52-5D1103A-001						GENERAL TOLERANCE		
DRAW	Peter	DATE	2022-08-10	.X±0.35	.X±1°	SCALE: 1:1	SHEET: 3/4	REV:A
CHECK	Peter	DATE	2022-08-10	.XX±0.25	.XX±0.5°			
APPROVE	De	DATE	2022-08-10	.XXX±0.10				



PACKAGE INFORMATION AND LABEL



PACKING QUANTITY : 225 PCS FINISHED GOODS PER TRAY  
 20 TRAYS (4500 PCS FINISHED GOODS) PER CARTON BOX

TITLE RJ45 1*1 TOP ENTRY FLANGED PCB JACK WITHOUT SHIELDED				<b>DELEC</b>		东莞多亚电子有限公司 DONGGUAN DUOYA ELECTRONICS CO., LTD		
PART NO. DE52-5D1103A-001				GENERAL TOLERANCE		 SCALE: 1:1	UNIT:MM(INCH)	SIZE: A4
DRAW	Peter	DATE	2022-08-10	.X±0.35	.X±1°		SHEET: 4/4	REV:A
CHECK	Peter	DATE	2022-08-10	.XX±0.25	.XX±0.5°			
APPROVE	De	DATE	2022-08-10	.XXX±0.10				