



SPECIFICATION FOR APPROVAL

DELEC		
MARKETING GROUP	R&D GROUP	QA GROUP
ISSUED BY	CHECKED BY	QA INSPECTION
Peter	Weide Li	Liu Ting

CUSTOMER

CUSTOMER APPROVAL:

APPROVAL CONCESSIONARY REJECTED

ISSUED BY : _____

CHECKED BY: _____

APPROVED BY: _____

COMMENTS : _____

CUSTOMER: _____

CUSTOMER PART NO: _____

SAMPLE Q'TY: _____

TITLE 1X1 8P8C VERTICAL WITHOUT LED				DELEC		東莞多亞電子有限公司 DONGGUAN DUOYA ELECTRONICS CO., LTD		
PART NO. DE52-1D1101A-006				GENERAL TOLERANCE			UNIT:MM(INCH)	SIZE: A4
DRAW	Peter	DATE	2020-11-06	.X±0.20	.X±1°	SCALE: 1:1	SHEET: 1/4	REV:A
CHECK	Peter	DATE	2020-11-06	.XX±0.15	.XX±0.5°			
APPROVE	De	DATE	2020-11-06	.XXX±0.10				



ISSUE RECORD

REV	DESCRIPTION OF CHANGE	REVIEWED BY	APPROVED BY	ISSUE DATE
A	FIRST ISSUE	Peter	De	2020-11-06

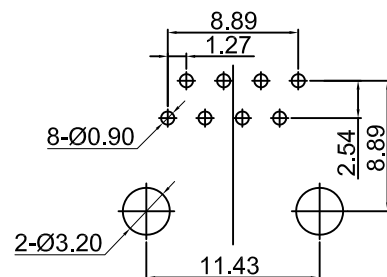
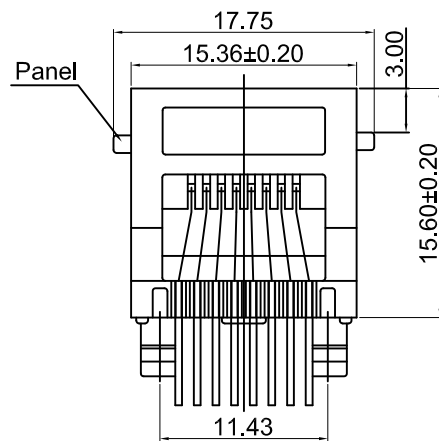
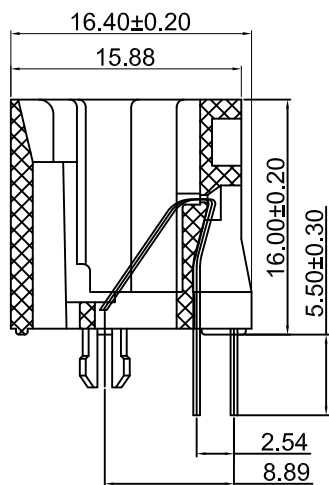
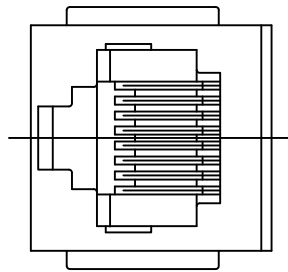
H
G
F
E
D
C
B
A

BY DUOYA CONNECTOR CORPORATION
© COPYRIGHT 2010
PRODUCT DRAWING

TITLE 1X1 8P8C VERTICAL WITHOUT LED				DELEC		東莞多亞電子有限公司 DONGGUAN DUOYA ELECTRONICS CO., LTD			
PART NO. DE52-1D1101A-006				GENERAL TOLERANCE			UNIT:MM(INCH)	SIZE: A4	
DRAW	Peter	DATE	2020-11-06	.X±0.20	.X±1°	SCALE: 1:1	SHEET: 2/4	REV:A	
CHECK	Peter	DATE	2020-11-06	.XX±0.15	.XX±0.5°				
APPROVE	De	DATE	2020-11-06	.XXX±0.10					



MECHANICAL DIMENSION



RECOMMENDED PCB LAYOUT
(COMPONENT SIDE VIEW)

SPECIFICATION AND PERFORMANCE

1 Scope

This specification covers the requirements for product performance, tests and quality assurance provisions for side entry PCB jack

2 Applicable document

The following documents form a part of this specification to the extent specified herein. In the event of conflict between the requirements of this specification and the product drawing shall take precedence

3 Materials

Housing: Glass filled polyester UL94V-0, pantone Black
Contact: phosphor bronze $\varnothing=0.46\text{mm}$ round Pin
Plating: 6 u"Gold plating over nickel
PCB retention fre-solder: 1LB min.

4 Mechanical characteristics:

Durability: 750(modular jack) insertion/plug dimension cycles

5 Electrical

Current rating: 1.5AMP
Voltage rating: 125VAC max.
Contact resistance: 30 milliohms max.
Insulation resistance: 500 megohms min.@500 VDC.
Dielectric strength: 1000 VAC RMS 60Hz, 1min.

6 Environmental:

Operating temperature: $-40^{\circ}\text{C}\sim+85^{\circ}\text{C}$
Storage temperature: $-40^{\circ}\text{C}\sim+85^{\circ}\text{C}$
Mates with modular plug conforming to FCC part 68 subpart F.

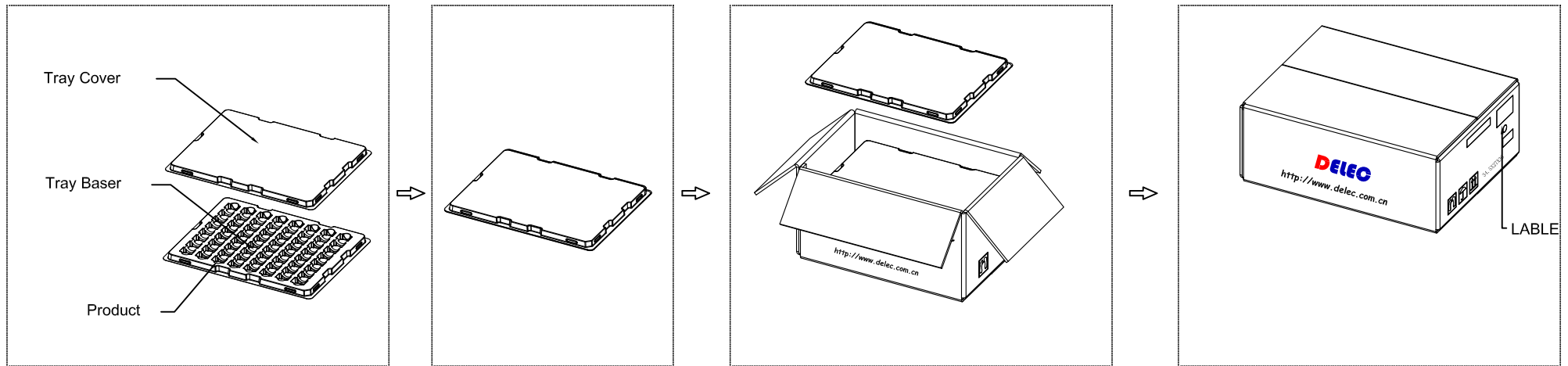
7 Applicable printed circuit board

The product is designed to meet the electrical, mechanical and environmental performance requirements specified in product drawing

TITLE 1X1 8P8C VERTICAL WITHOUT LED				DELEC		東莞多亞電子有限公司 DONGGUAN DUOYA ELECTRONICS CO., LTD		
PART NO. DE52-1D1101A-006				GENERAL TOLERANCE			UNIT:MM(INCH)	SIZE: A4
DRAW	Peter	DATE	2020-11-06	.X±0.20	.X±1°	SCALE: 1:1	SHEET: 3/4	REV:A
CHECK	Peter	DATE	2020-11-06	.XX±0.15	.XX±0.5°			
APPROVE	De	DATE	2020-11-06	.XXX±0.10				



PACKAGE INFORMATION AND LABLE



**PACKING QUANTITY : 128 PCS FINISHED GOODS PER TRAY
18 TRAYS (2304 PCS FINISHED GOODS) PER CARTON BOX**

TITLE 1X1 8P8C VERTICAL WITHOUT LED				DELEC		東莞多亞電子有限公司 DONGGUAN DUOYA ELECTRONICS CO., LTD		
PART NO. DE52-1D1101A-006				GENERAL TOLERANCE			UNIT:MM(INCH)	SIZE: A4
DRAW	Peter	DATE	2020-11-06	.X±0.20	.X±1°	SCALE: 1:1	SHEET: 4/4	REV:A
CHECK	Peter	DATE	2020-11-06	.XX±0.15	.XX±0.5°			
APPROVE	De	DATE	2020-11-06	.XXX±0.10				