

SPECIFICATION FOR APPROVAL

DELEC		
MARKETING GROUP	R&D GROUP	QA GROUP
ISSUED BY	CHECKED BY	QA INSPECTION
Victor Ran	Victor	Liu Ting

CUSTOMER

CUSTOMER APPROVAL:

APPROVAL CONCESSIONARY REJECTED

ISSUED BY : _____

CHECKED BY: _____

APPROVED BY: _____

COMMENTS : _____

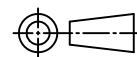
CUSTOMER: _____

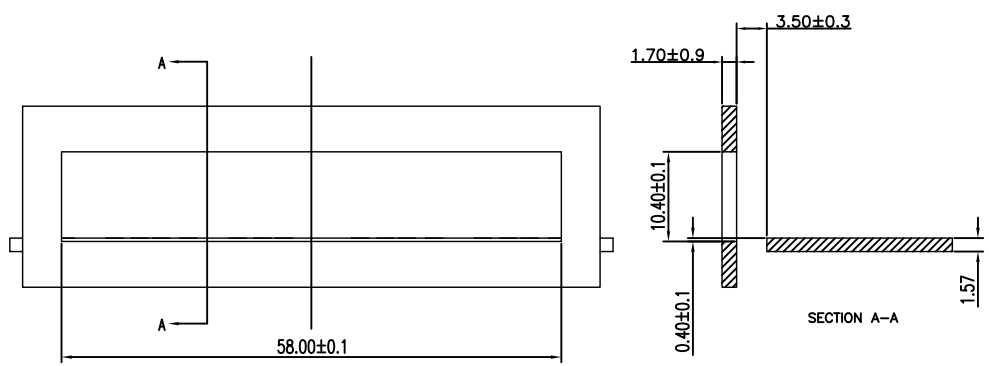
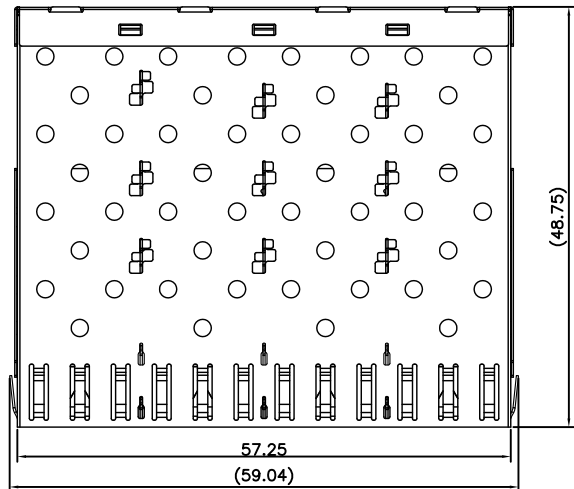
CUSTOMER PART NO: _____

SAMPLE Q'TY: _____

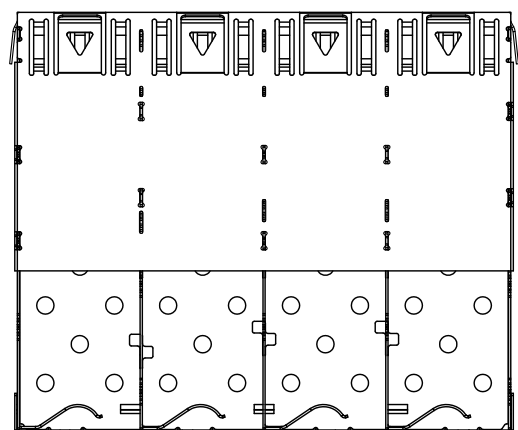
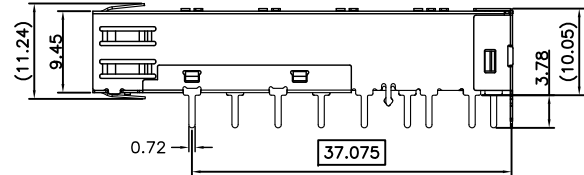
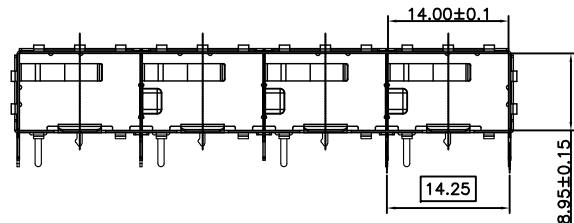
SAMPLE DATE: _____

RoHS COMPLIANT

TITLE SFP 1X4 CAGE				DELEC		东莞多亚电子有限公司 DONGGUAN DUOYA ELECTRONICS CO., LTD		
PART NO. DH10-1N34003-00N				GENERAL TOLERANCE			UNIT:MM	SIZE: A4
DRAW	Aaron	DATE	2020-08-27	.X±0.20	.X±1'	SCALE: 1:1	SHEET: 1/5	REV:A
CHECK	Aaron	DATE	2020-08-27	.XX±0.15	.XX±5'			
APPROVE	Victor	DATE	2020-08-27	.XXX±0.10				



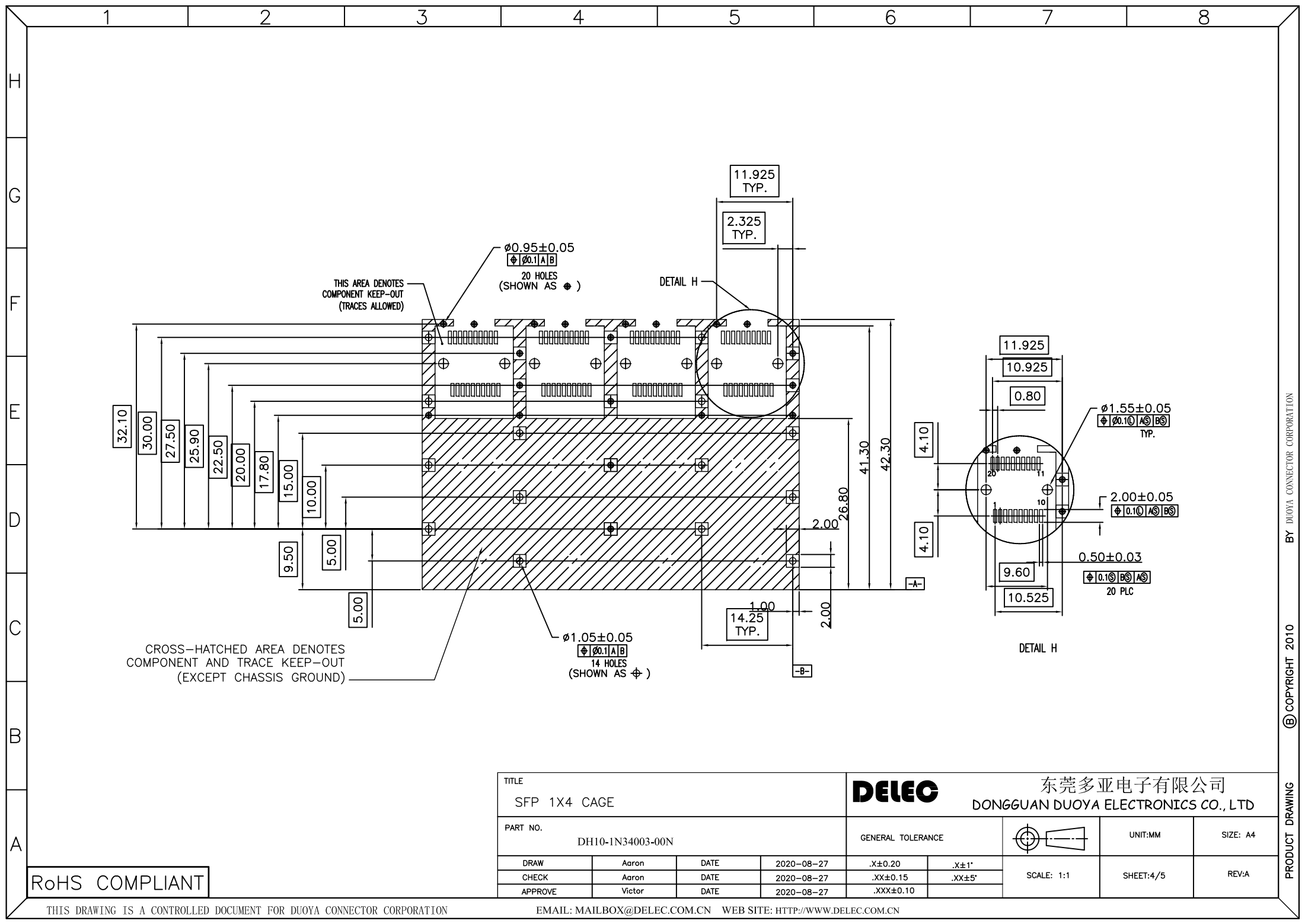
RECOMMENDED BEZEL DESIGN



- NOTES:
- 1.MATERIAL: COPPER ALLOY, THICKNESS 0.25mm
 - 2.PACKAGING: TRAY PACKAGING
 - 3.TEMPERATURE RANGE: -55°C TO +85°C

TITLE				DELEC		东莞多亚电子有限公司 DONGGUAN DUOYA ELECTRONICS CO., LTD					
SFP 1X4 CAGE						GENERAL TOLERANCE		UNIT:MM		SIZE: A4	
PART NO.				DH10-1N34003-00N		SCALE: 1:1		SHEET:3/5		REV:A	
DRAW	Aaron	DATE	2020-08-27	.X±0.20	.X±1'	SCALE: 1:1		SHEET:3/5		REV:A	
CHECK	Aaron	DATE	2020-08-27	.XX±0.15	.XX±5'						
APPROVE	Victor	DATE	2020-08-27	.XXX±0.10							

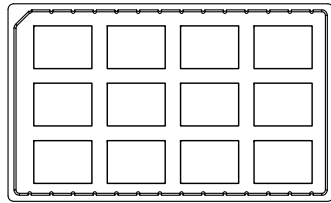
RoHS COMPLIANT



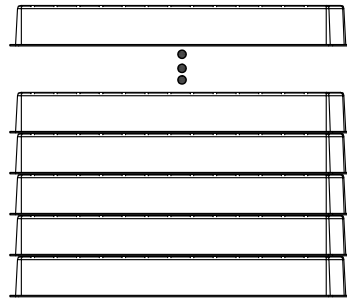
TITLE				DELEC		东莞多亚电子有限公司 DONGGUAN DUOYA ELECTRONICS CO., LTD			
SFP 1X4 CAGE						GENERAL TOLERANCE		UNIT:MM	
PART NO.				DH10-1N34003-00N		SCALE: 1:1		SHEET:4/5	
DRAW	Aaron	DATE	2020-08-27	.X \pm 0.20	.X \pm 1'	REV:A			
CHECK	Aaron	DATE	2020-08-27	.XX \pm 0.15	.XX \pm 5'				
APPROVE	Victor	DATE	2020-08-27	.XXX \pm 0.10					

RoHS COMPLIANT

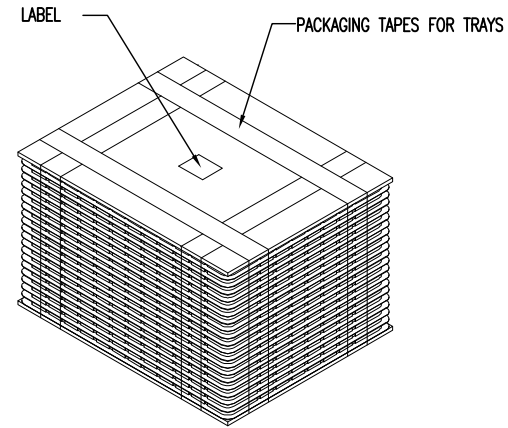
PACKAGE INFORMATION AND LABEL



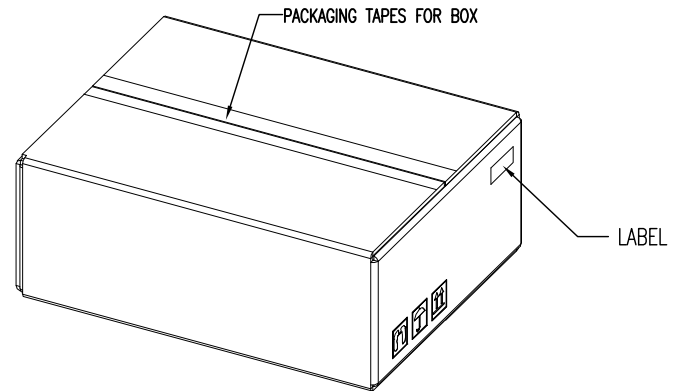
1. PRODUCTS IN TRAYS



2. TRAYS OVERLAY:
(THE NEXT TRAY NEED ROTATE 180 DEGREE AND PUT IT ON PREVIOUS TRAY.)
(相邻两个吸塑间水平方向成180度摆放)



3. LABEL & PACKAGING TAPES FOR TRAYS:



4. LABEL & PACKAGING TAPES FOR BOX

PACKAGING LISTS	
ITEM	Q'TY
PRODUCT	108 PCS
TRAY	9 PCS
BOX(L340*W265*H200MM)	1 PCS
LABLE	2 PCS
PACKAGING TAPES	8 M (ABOUT)

TITLE SFP 1X4 CAGE				DELEC		东莞多亚电子有限公司 DONGGUAN DUOYA ELECTRONICS CO., LTD		
PART NO. DH10-1N34003-00N				GENERAL TOLERANCE			UNIT:MM	SIZE: A4
DRAW	Aaron	DATE	2020-08-27	.X±0.20	.X±1'	SCALE: 1:1	SHEET: 5/5	REV:A
CHECK	Aaron	DATE	2020-08-27	.XX±0.15	.XX±5'			
APPROVE	Victor	DATE	2020-08-27	.XXX±0.10				

RoHS COMPLIANT