

# SPECIFICATION FOR APPROVAL

<b>DELEC</b>		
MARKETING GROUP	R&D GROUP	QA GROUP
ISSUED BY	CHECKED BY	QA INSPECTION
Aaron	Victor	XuLong

CUSTOMER

CUSTOMER APPROVAL:

APPROVAL     CONCESSIONARY     REJECTED

ISSUED BY : \_\_\_\_\_

CHECKED BY: \_\_\_\_\_

APPROVED BY: \_\_\_\_\_

CUSTOMER: \_\_\_\_\_

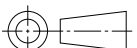
CUSTOMER PART NO: \_\_\_\_\_

SAMPLE Q'TY: \_\_\_\_\_

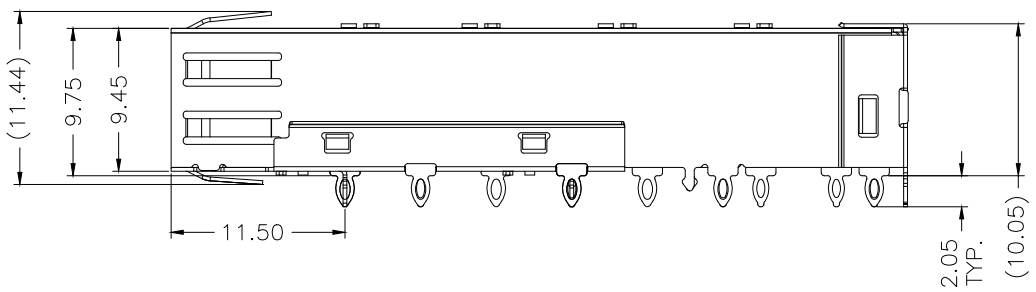
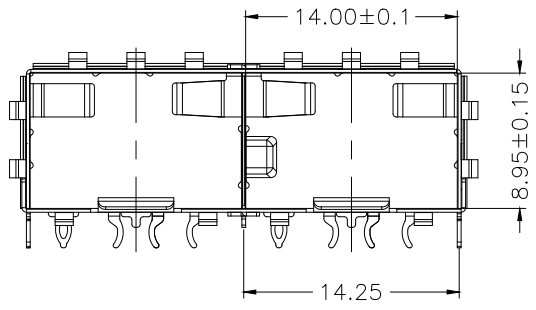
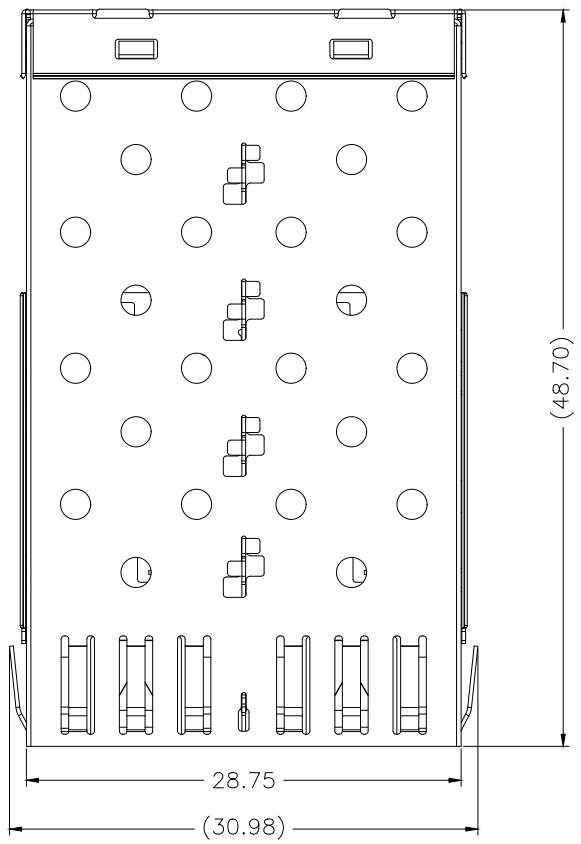
COMMENTS : \_\_\_\_\_

SAMPLE DATE: \_\_\_\_\_

**RoHS COMPLIANT**

TITLE SFP 1X2 CAGE WITH GROUNDING PIN				<b>DELEC</b>		东莞多亚电子有限公司 DONGGUAN DUOYA ELECTRONICS CO., LTD		
PART NO. DH10-1N32H02-00N				GENERAL TOLERANCE			UNIT:MM	SIZE: A4
DRAW	Aaron	DATE	2022-05-28	.X±0.20	.X±1'	SCALE: 1:1	SHEET: 1/7	REV:A
CHECK	Aaron	DATE	2022-05-28	.XX±0.15	.XX±5'			
APPROVE	Victor	DATE	2022-05-28	.XXX±0.10				





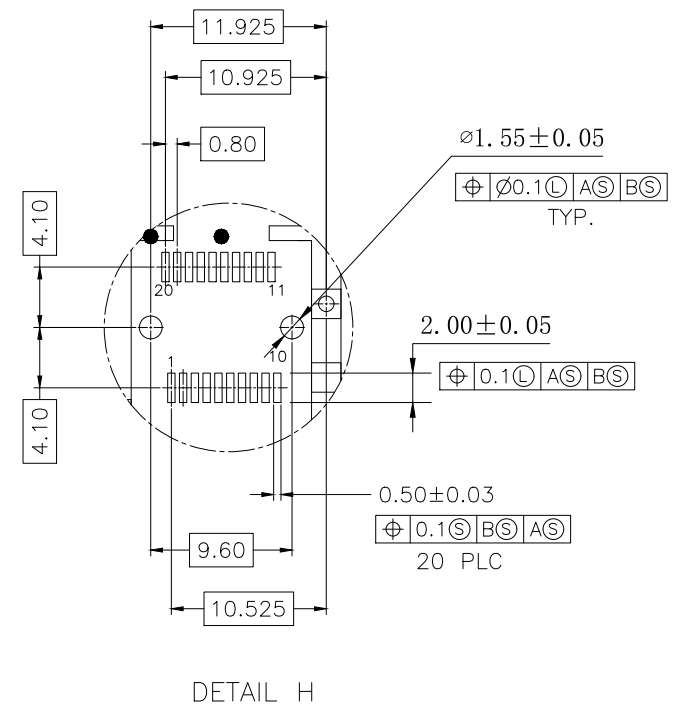
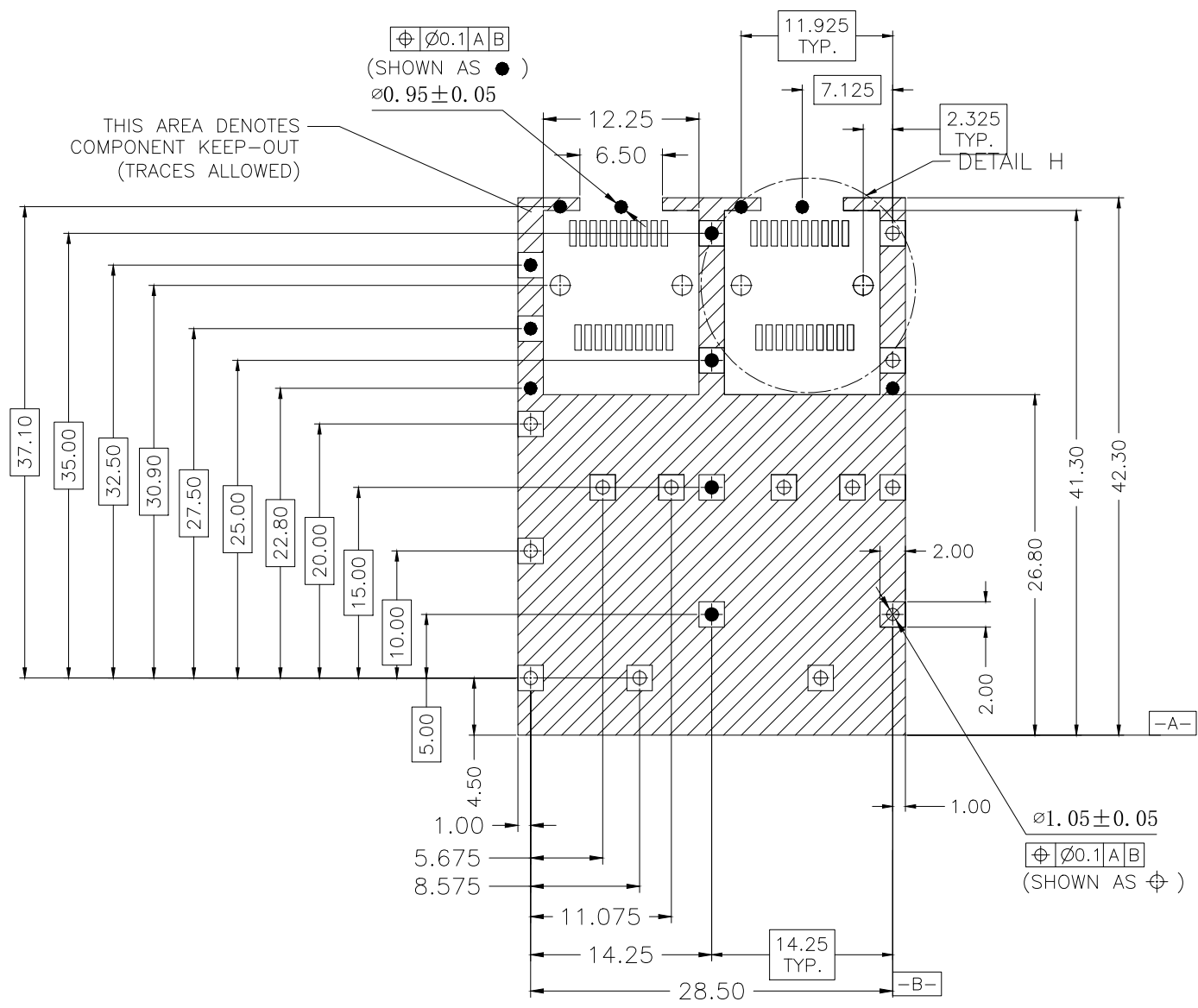
NOTES:

- 1.MATERIAL: COPPER ALLOY, NI-PLATED
- 2.PACKAGING: TRAY PACKAGING
- 3.TEMPERATURE RANGE: -55°C TO +105°C

RoHS COMPLIANT

TITLE				<b>DELEC</b>		东莞多亚电子有限公司 DONGGUAN DUOYA ELECTRONICS CO., LTD			
SFP 1X2 CAGE WITH GROUNDING PIN						GENERAL TOLERANCE			UNIT:MM
PART NO.				DH10-1N32H02-00N		SCALE: 1:1		SHEET: 3/7	REV:A
DRAW	Aaron	DATE	2022-05-28	.X±0.20	.X±1'				
CHECK	Aaron	DATE	2022-05-28	.XX±0.15	.XX±5'				
APPROVE	Victor	DATE	2022-05-28	.XXX±0.10					

PCB LAYOUT  
FOR SINGLE SIDE MOUNTING



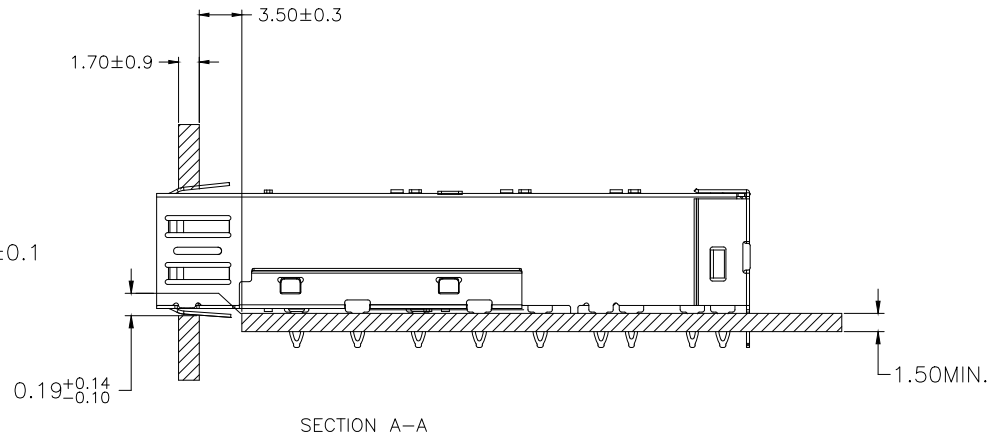
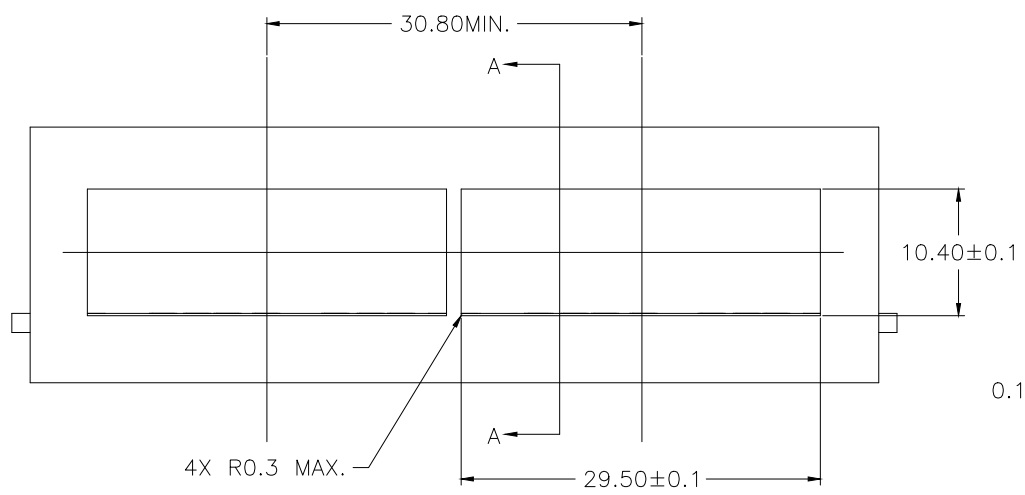
RoHS COMPLIANT

TITLE SFP 1X2 CAGE WITH GROUNDING PIN				<b>DELEC</b>		东莞多亚电子有限公司 DONGGUAN DUOYA ELECTRONICS CO., LTD		
PART NO. DH10-1N32H02-00N				GENERAL TOLERANCE			UNIT:MM	SIZE: A4
DRAW	Aaron	DATE	2022-05-28	.X±0.20	.X±1'	SCALE: 1:1	SHEET: 4/7	REV:A
CHECK	Aaron	DATE	2022-05-28	.XX±0.15	.XX±5'			
APPROVE	Victor	DATE	2022-05-28	.XXX±0.10				

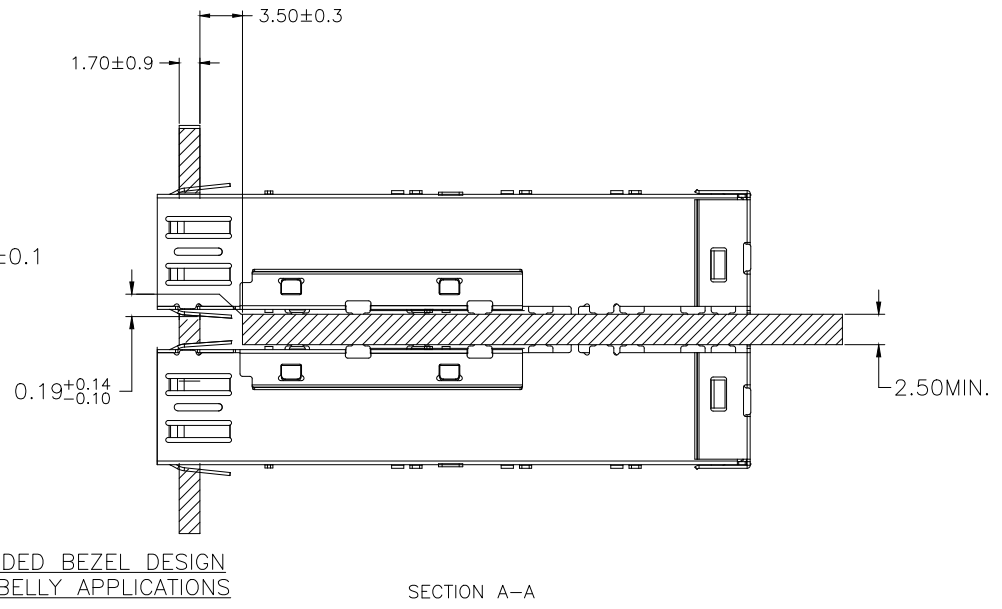
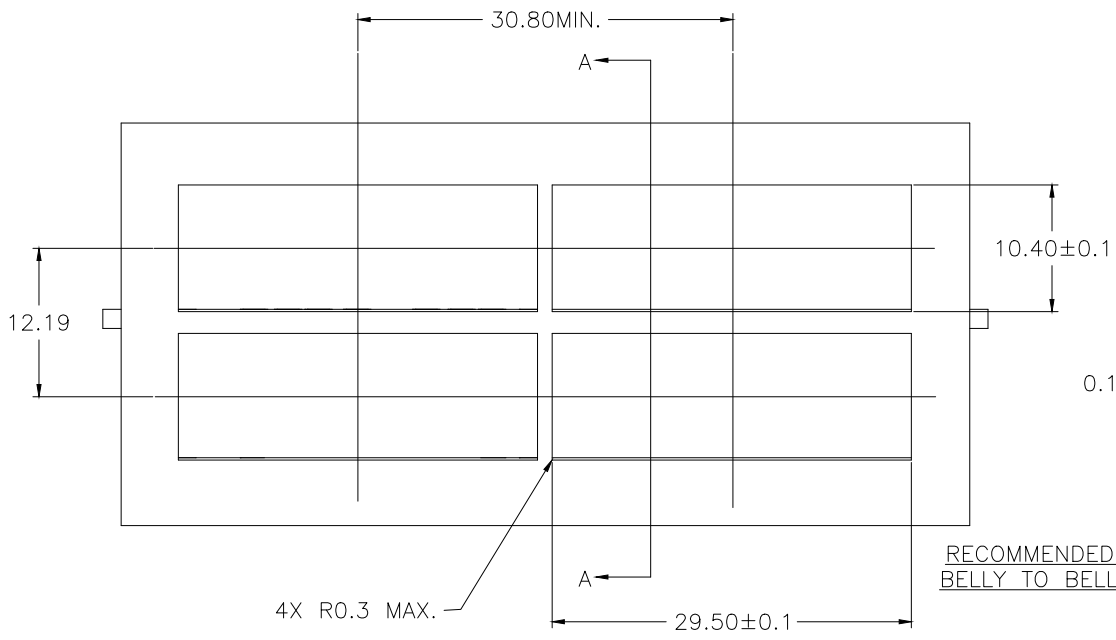


1 2 3 4 5 6 7 8

H  
G  
F  
E  
D  
C  
B  
A



RECOMMENDED BEZEL DESIGN  
SINGLE SIDED APPLICATIONS



RECOMMENDED BEZEL DESIGN  
BELLY TO BELLY APPLICATIONS

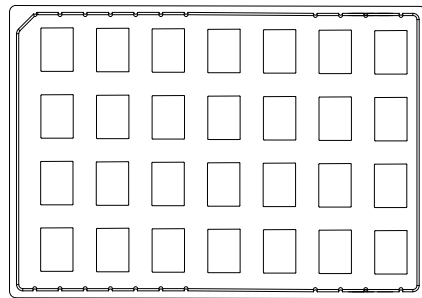
RoHS COMPLIANT

TITLE					
SFP 1X2 CAGE WITH GROUNDING PIN					
PART NO.					
DH10-1N32H02-00N					
DRAW	Aaron	DATE	2022-05-28	.X±0.20	.X±1'
CHECK	Aaron	DATE	2022-05-28	.XX±0.15	.XX±5'
APPROVE	Victor	DATE	2022-05-28	.XXX±0.10	

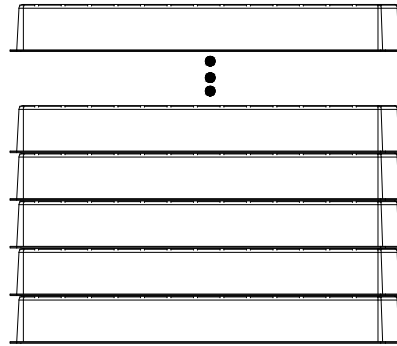
**DELEC** 东莞多亚电子有限公司  
DONGGUAN DUOYA ELECTRONICS CO., LTD

	UNIT:MM	SIZE: A4
	SCALE: 1:1	SHEET: 6/7

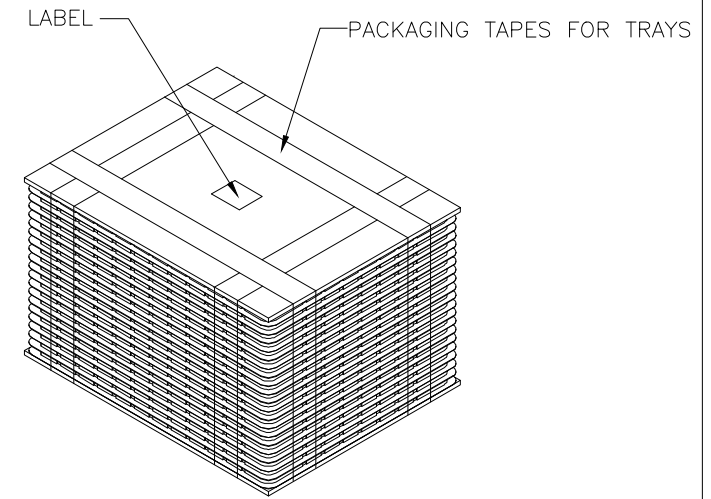
# PACKAGE INFORMATION AND LABEL



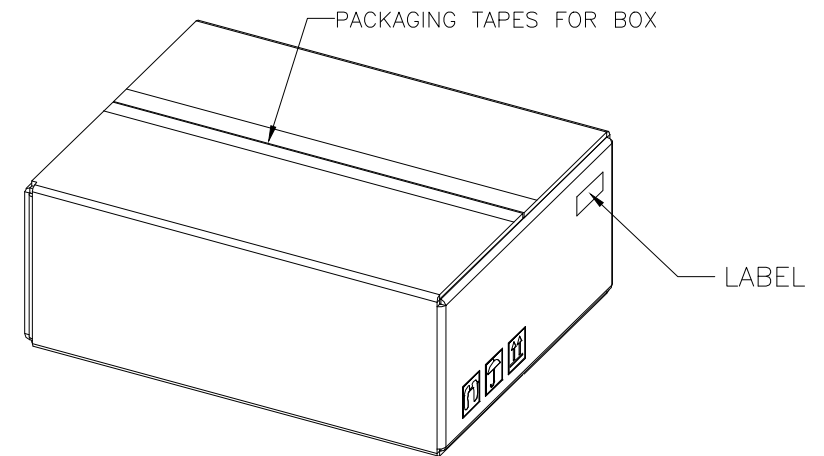
1. 28PCS PRODUCTS IN TRAYS



2. 8PCS TRAYS OVERLAY:  
(THE NEXT TRAY NEED ROTATE 180 DEGREE AND PUT IT ON PREVIOUS TRAY.)  
(相邻两个吸塑间水平方向成180度摆放)



3. LABEL & PACKAGING TAPES FOR TRAYS:



4. LABEL & PACKAGING TAPES FOR BOX

PACKAGING LISTS	
ITEM	Q'TY
PRODUCT	224PCS
TRAY	8PCS
BOX(L340*W265*H200MM)	1 PCS
LABLE	2 PCS
PACKAGING TAPES	8 M (ABOUT)

RoHS COMPLIANT

TITLE SFP 1X2 CAGE WITH GROUNDING PIN				<b>DELEC</b>		东莞多亚电子有限公司 DONGGUAN DUOYA ELECTRONICS CO., LTD		
PART NO. DH10-1N32H02-00N				GENERAL TOLERANCE			UNIT:MM	SIZE: A4
DRAW	Aaron	DATE	2022-05-28	.X±0.20	.X±1'	SCALE: 1:1	SHEET: 7/7	REV:A
CHECK	Aaron	DATE	2022-05-28	.XX±0.15	.XX±5'			
APPROVE	Victor	DATE	2022-05-28	.XXX±0.10				