

# SPECIFICATION FOR APPROVAL

<b>DELEC</b>		
MARKETING GROUP	R&D GROUP	QA GROUP
ISSUED BY	CHECKED BY	QA INSPECTION
Aaron	Victor	Liu Ting

## CUSTOMER

CUSTOMER APPROVAL:

APPROVAL       CONCESSIONARY       REJECTED

ISSUED BY : \_\_\_\_\_

CHECKED BY: \_\_\_\_\_

APPROVED BY: \_\_\_\_\_

COMMENTS : \_\_\_\_\_  
 \_\_\_\_\_

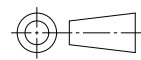
CUSTOMER: \_\_\_\_\_

CUSTOMER PART NO: \_\_\_\_\_

SAMPLE Q'TY: \_\_\_\_\_

SAMPLE DATE: \_\_\_\_\_

RoHS COMPLIANT

TITLE SFP 1X2 CAGE WITH GROUNDING PIN				<b>DELEC</b>		东莞多亚电子有限公司 DONGGUAN DUOYA ELECTRONICS CO., LTD		
PART NO. DH10-1N32H04-06N				GENERAL TOLERANCE			UNIT:MM	SIZE: A4
DRAW	Aaron	DATE	2022-6-23	.X±0.20	.X±1'	SCALE: 1:1	SHEET: 1/7	REV:A
CHECK	Aaron	DATE	2022-6-23	.XX±0.15	.XX±5'			
APPROVE	Victor	DATE	2022-6-23	.XXX±0.10				



1 2 3 4 5 6 7 8

H

G

F

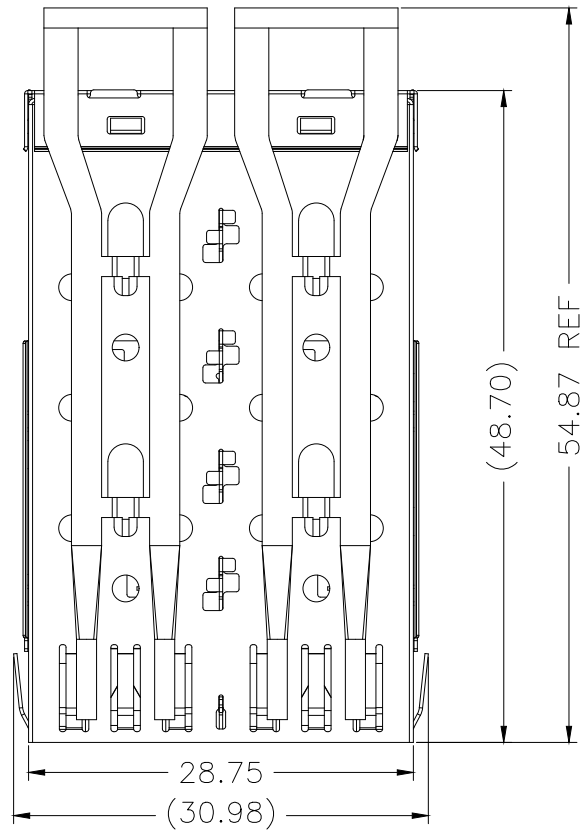
E

D

C

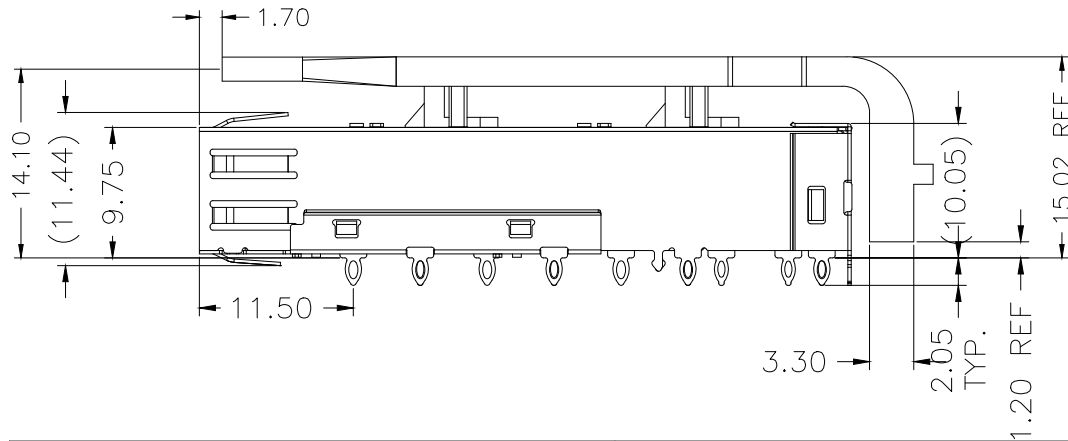
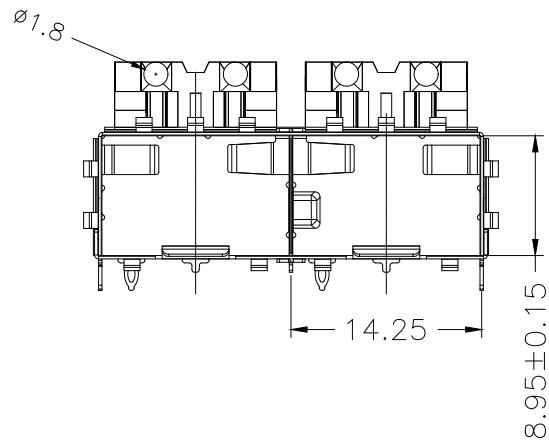
B

A



NOTES:

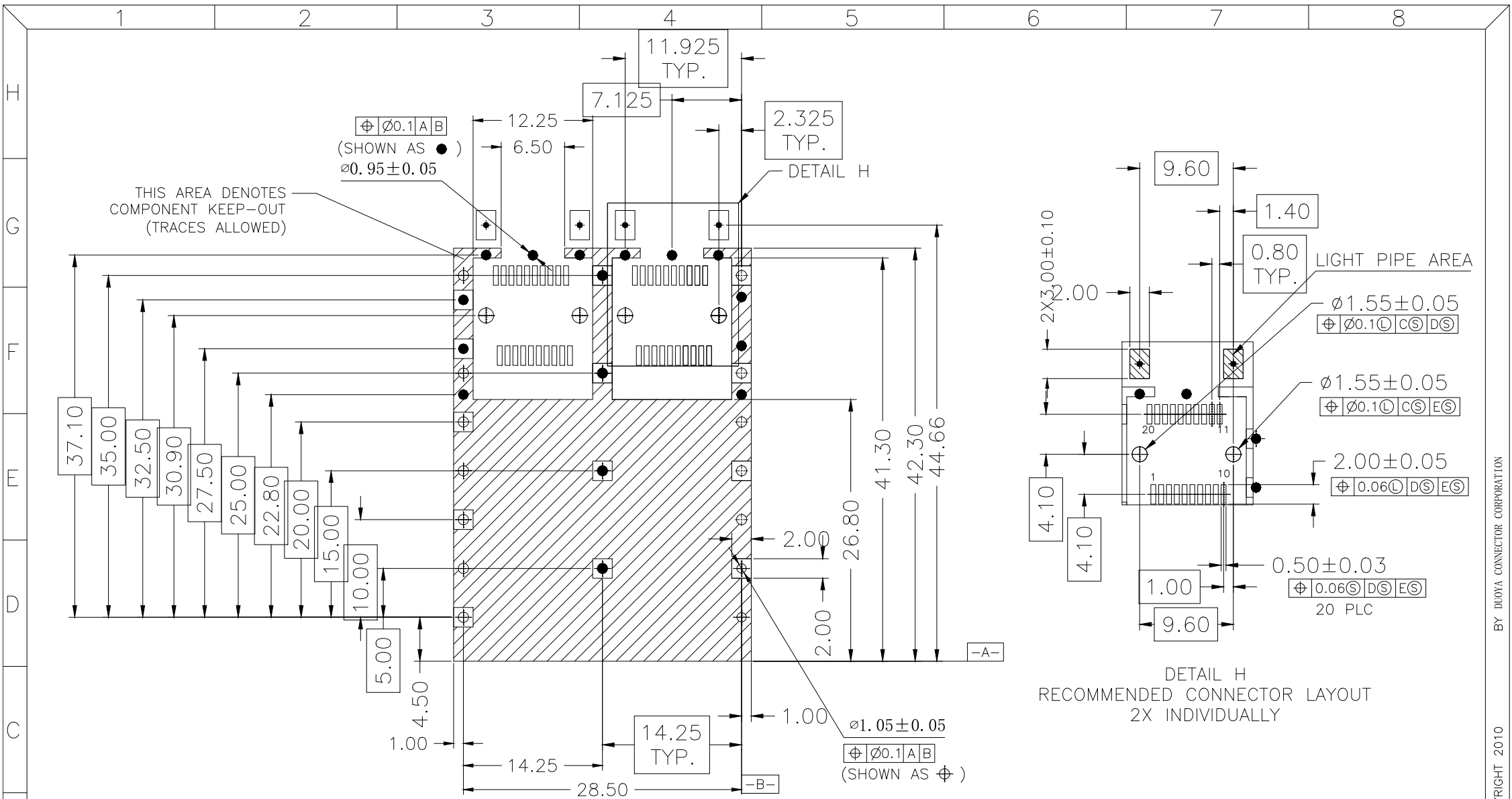
- 1.MATERIAL: COPPER ALLOY, NI-PLATED  
LIGHT PIPE: PC, THANSSPARENT
- 2.PACKAGING: TRAY PACKAGING
- 3.TEMPERATURE RANGE: -55°C TO +105°C



TITLE				<b>DELEC</b>		东莞多亚电子有限公司 DONGGUAN DUOYA ELECTRONICS CO., LTD	
SFP 1X2 CAGE WITH GROUNDING PIN				GENERAL TOLERANCE			UNIT:MM
PART NO.				SCALE: 1:1		SHEET:3/7	
DH10-1N32H04-06N				SIZE: A4		REV:A	
DRAW	Aaron	DATE	2022-6-23	.X±0.20	.X±1'		
CHECK	Aaron	DATE	2022-6-23	.XX±0.15	.XX±5'		
APPROVE	Victor	DATE	2022-6-23	.XXX±0.10			

RoHS COMPLIANT

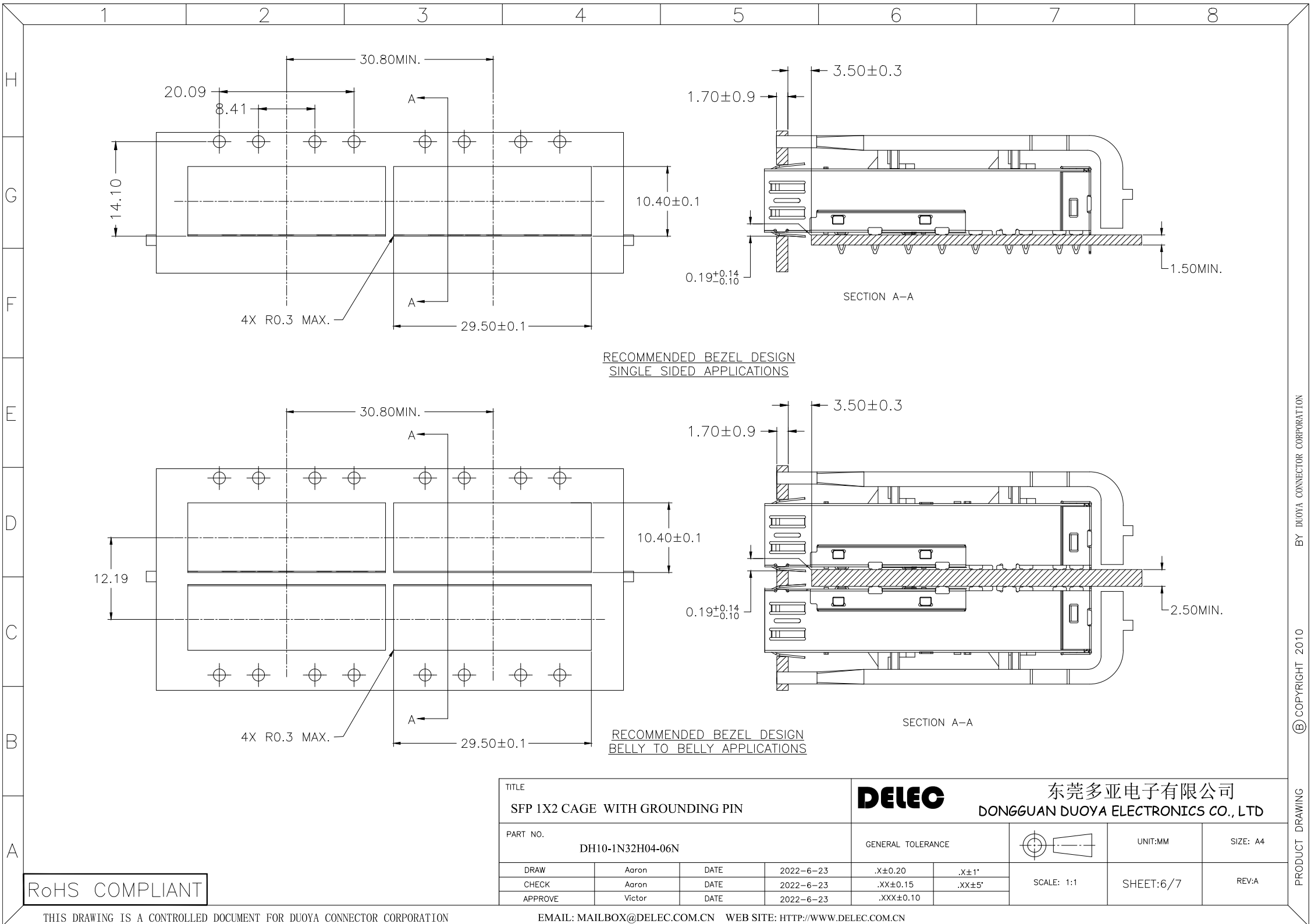




PCB LAYOUT FOR BELLY TO BELLY SIDE MOUNTING

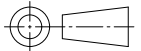
TITLE				<b>DELEC</b>		东莞多亚电子有限公司 DONGGUAN DUOYA ELECTRONICS CO., LTD		
SFP 1X2 CAGE WITH GROUNDING PIN								
PART NO.				GENERAL TOLERANCE		UNIT:MM		
DH10-1N32H04-06N						SIZE: A4		
DRAW	Aaron	DATE	2022-6-23	.X±0.20	.X±1'	SCALE: 1:1	SHEET: 5/7	
CHECK	Aaron	DATE	2022-6-23	.XX±0.15	.XX±5'			REV:A
APPROVE	Victor	DATE	2022-6-23	.XXX±0.10				

RoHS COMPLIANT



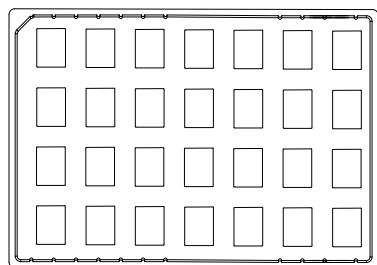
RECOMMENDED BEZEL DESIGN  
SINGLE SIDED APPLICATIONS

RECOMMENDED BEZEL DESIGN  
BELLY TO BELLY APPLICATIONS

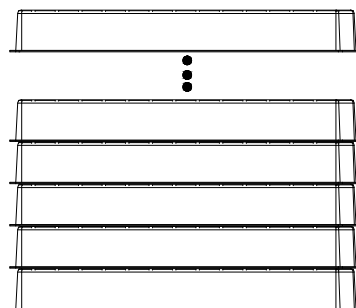
TITLE				<b>DELEC</b>		东莞多亚电子有限公司 DONGGUAN DUOYA ELECTRONICS CO., LTD		
SFP 1X2 CAGE WITH GROUNDING PIN								
PART NO.				GENERAL TOLERANCE			UNIT:MM	SIZE: A4
DH10-1N32H04-06N				.X±0.20	.X±1'		SCALE: 1:1	SHEET:6/7
DRAW	Aaron	DATE	2022-6-23	.XX±0.15	.XX±5'			
CHECK	Aaron	DATE	2022-6-23	.XXX±0.10				
APPROVE	Victor	DATE	2022-6-23					

RoHS COMPLIANT

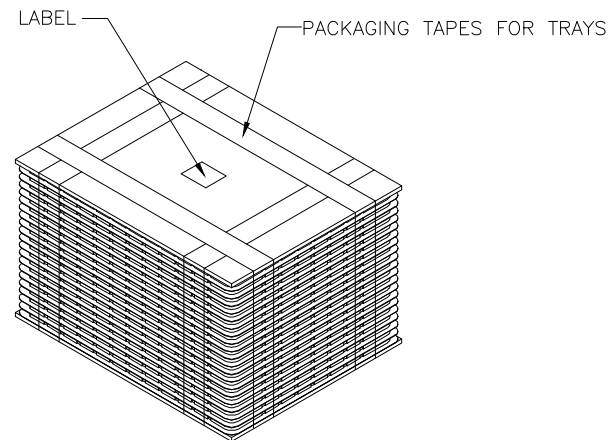
# PACKAGE INFORMATION AND LABEL



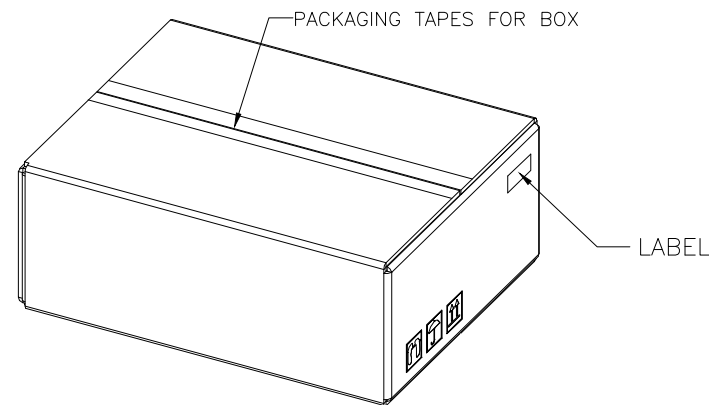
1. 28PCS PRODUCTS IN TRAYS



2. 8PCS TRAYS OVERLAY:  
(THE NEXT TRAY NEED ROTATE 180 DEGREE AND PUT IT ON PREVIOUS TRAY.)  
(相邻两个吸塑间水平方向成180度摆放)



3. LABEL & PACKAGING TAPES FOR TRAYS:



4. LABEL & PACKAGING TAPES FOR BOX

PACKAGING LISTS	
ITEM	Q'TY
PRODUCT	168PCS
TRAY	6PCS
BOX(L340*W265*H200MM)	1 PCS
LABLE	2 PCS
PACKAGING TAPES	8 M (ABOUT)

TITLE SFP 1X2 CAGE WITH GROUNDING PIN				<b>DELEC</b>		东莞多亚电子有限公司 DONGGUAN DUOYA ELECTRONICS CO., LTD		
PART NO. DH10-1N32H04-06N				GENERAL TOLERANCE			UNIT:MM	SIZE: A4
DRAW	Aaron	DATE	2022-6-23	.X±0.20	.X±1'	SCALE: 1:1	SHEET:7/7	REV:A
CHECK	Aaron	DATE	2022-6-23	.XX±0.15	.XX±5'			
APPROVE	Victor	DATE	2022-6-23	.XXX±0.10				

RoHS COMPLIANT