

SPECIFICATION FOR APPROVAL

DELEC		
MARKETING GROUP	R&D GROUP	QA GROUP
ISSUED BY	CHECKED BY	QA INSPECTION
Aaron	Victor	Liu Ting

CUSTOMER

CUSTOMER APPROVAL:

APPROVAL CONCESSIONARY REJECTED

ISSUED BY : _____

CHECKED BY: _____

APPROVED BY: _____

COMMENTS : _____

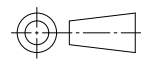
CUSTOMER: _____

CUSTOMER PART NO: _____

SAMPLE Q'TY: _____

SAMPLE DATE: _____

RoHS COMPLIANT

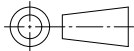
TITLE SFP 1X2 CAGE WITH GROUNDING PIN				DELEC		东莞多亚电子有限公司 DONGGUAN DUOYA ELECTRONICS CO., LTD		
PART NO. DH10-1N32H04-07N				GENERAL TOLERANCE			UNIT:MM	SIZE: A4
DRAW	Aaron	DATE	2022-6-23	.X±0.20	.X±1'	SCALE: 1:1	SHEET: 1/7	REV:A
CHECK	Aaron	DATE	2022-6-23	.XX±0.15	.XX±5'			
APPROVE	Victor	DATE	2022-6-23	.XXX±0.10				

1 2 3 4 5 6 7 8

H
G
F
E
D
C
B
A

ISSUE RECORD

REV	DESCRIPTION OF CHANGE	REVIEWED BY	APPROVED BY	ISSUE DATE
A	FIRST ISSUE	Aaron	Victor	2022-6-23

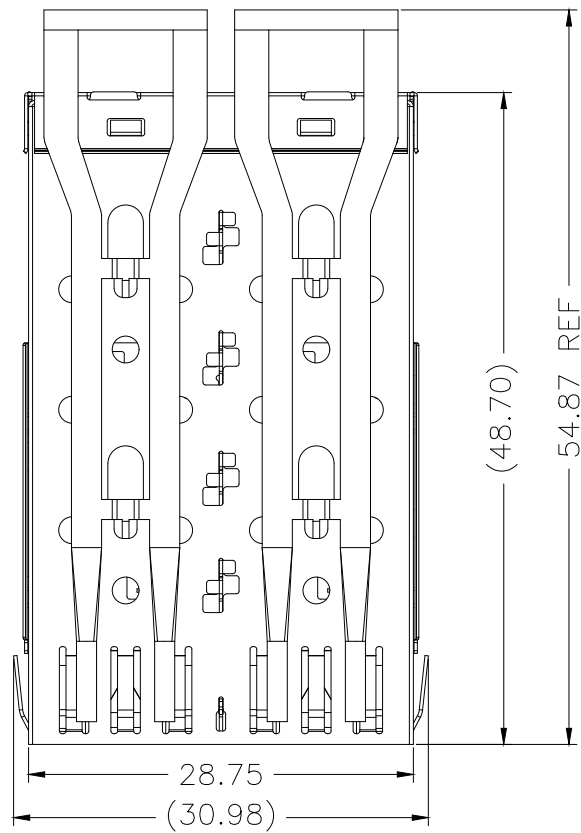
TITLE SFP 1X2 CAGE WITH GROUNDING PIN				DELEC		东莞多亚电子有限公司 DONGGUAN DUOYA ELECTRONICS CO., LTD			
PART NO. DH10-1N32H04-07N				GENERAL TOLERANCE			UNIT:MM	SIZE: A4	
DRAW	Aaron	DATE	2022-6-23	.X±0.20	.X±1'		SCALE: 1:1	SHEET: 2/7	REV:A
CHECK	Aaron	DATE	2022-6-23	.XX±0.15	.XX±5'				
APPROVE	Victor	DATE	2022-6-23	.XXX±0.10					

RoHS COMPLIANT

PRODUCT DRAWING © COPYRIGHT 2010 BY DUOYA CONNECTOR CORPORATION

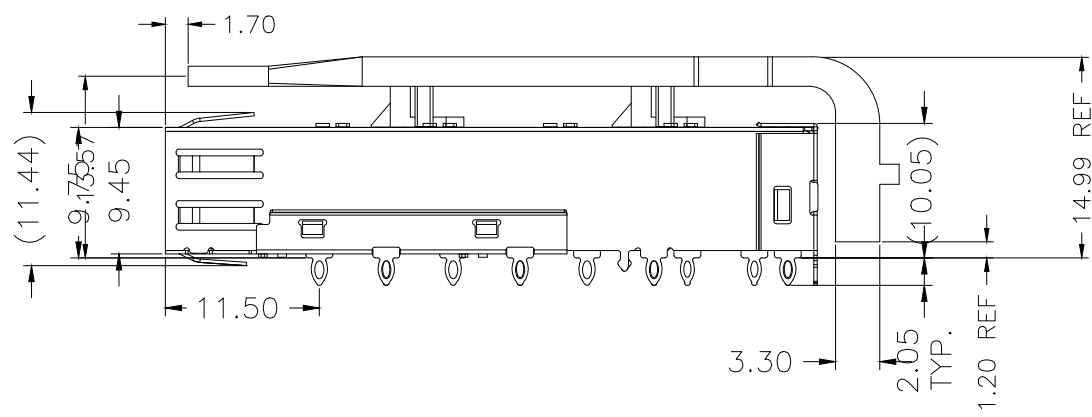
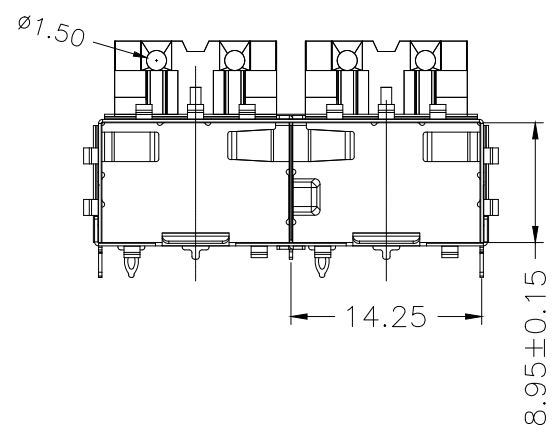
1 2 3 4 5 6 7 8

H
G
F
E
D
C
B
A



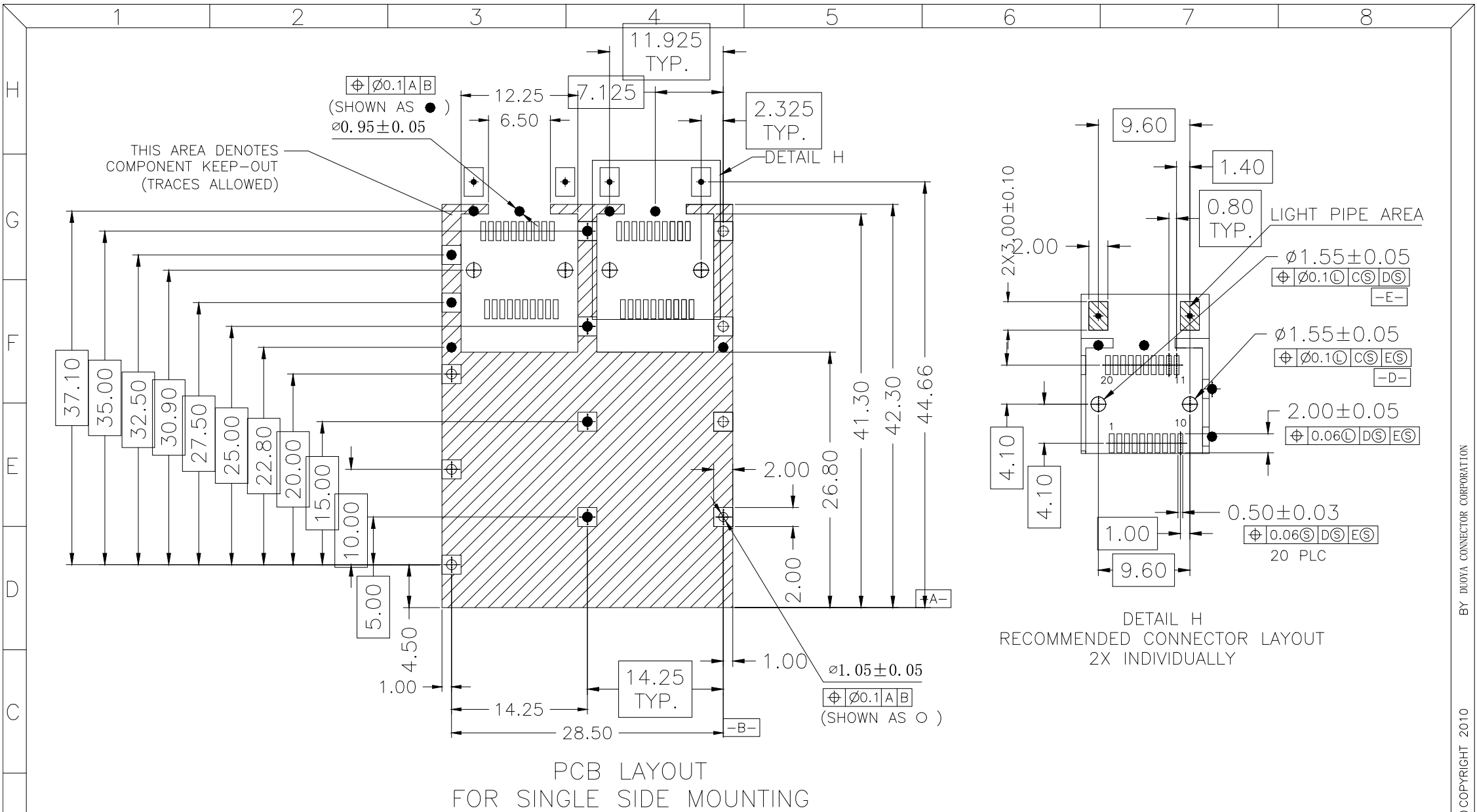
NOTES:

- 1.MATERIAL: COPPER ALLOY, NI-PLATED
LIGHT PIPE: PC,THANSPARENT
- 2.PACKAGING: TRAY PACKAGING
- 3.TEMPERATURE RANGE: -55°C TO +105°C



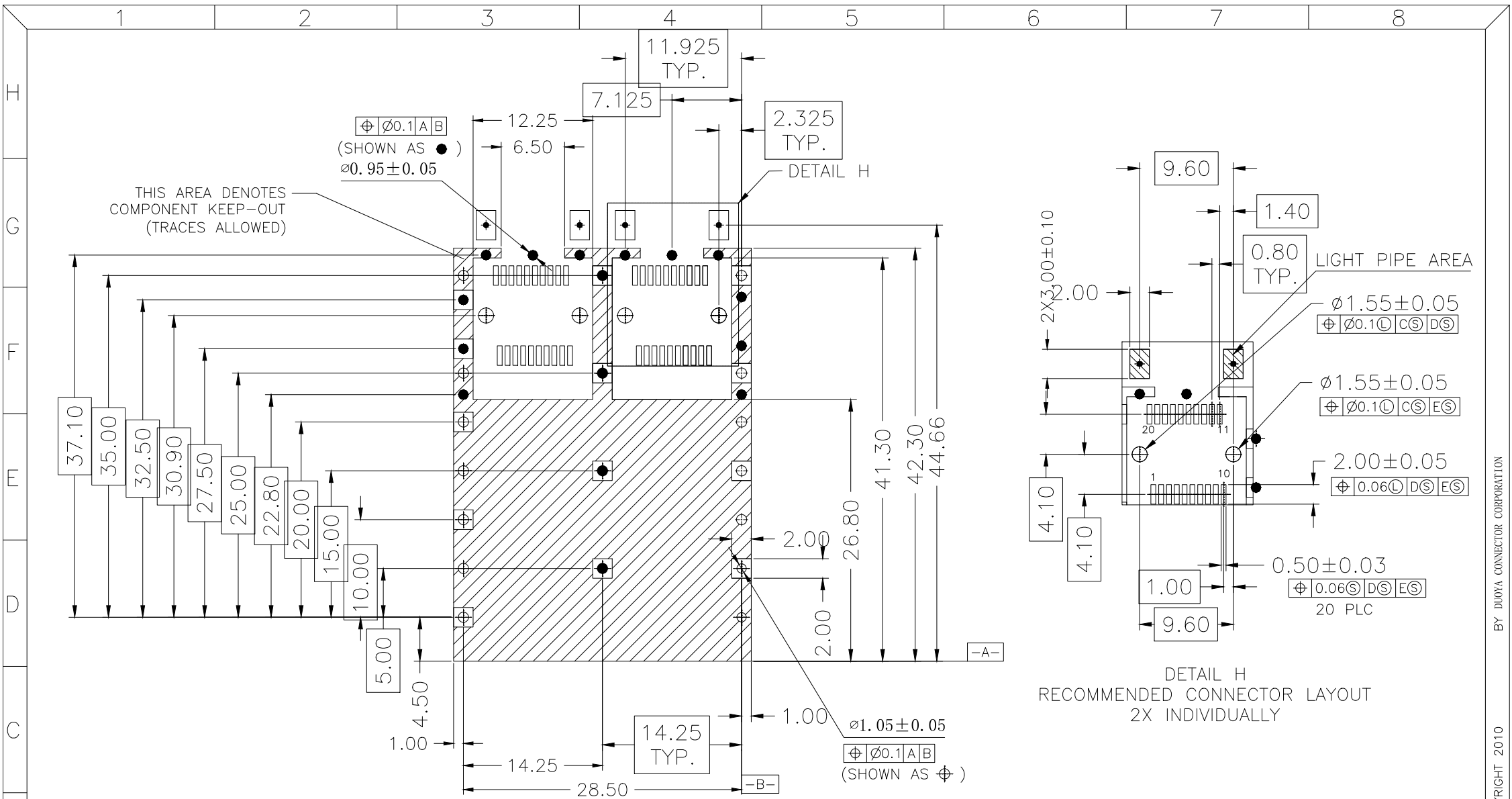
TITLE				DELEC		东莞多亚电子有限公司 DONGGUAN DUOYA ELECTRONICS CO., LTD		
SFP 1X2 CAGE WITH GROUNDING PIN								
PART NO.				GENERAL TOLERANCE			UNIT:MM	
DH10-1N32H04-07N							SIZE: A4	
DRAW	Aaron	DATE	2022-6-23	.X±0.20	.X±1'	SCALE: 1:1	SHEET:3/7	
CHECK	Aaron	DATE	2022-6-23	.XX±0.15	.XX±5'			REV:A
APPROVE	Victor	DATE	2022-6-23	.XXX±0.10				

RoHS COMPLIANT



TITLE				DELEC		东莞多亚电子有限公司 DONGGUAN DUOYA ELECTRONICS CO., LTD		
SFP 1X2 CAGE WITH GROUNDING PIN						GENERAL TOLERANCE		
PART NO.				DH10-1N32H04-07N		SCALE: 1:1	SHEET: 4/7	REV:A
DRAW	Aaron	DATE	2022-6-23	.X±0.20	.X±1'			
CHECK	Aaron	DATE	2022-6-23	.XX±0.15	.XX±5'			
APPROVE	Victor	DATE	2022-6-23	.XXX±0.10				

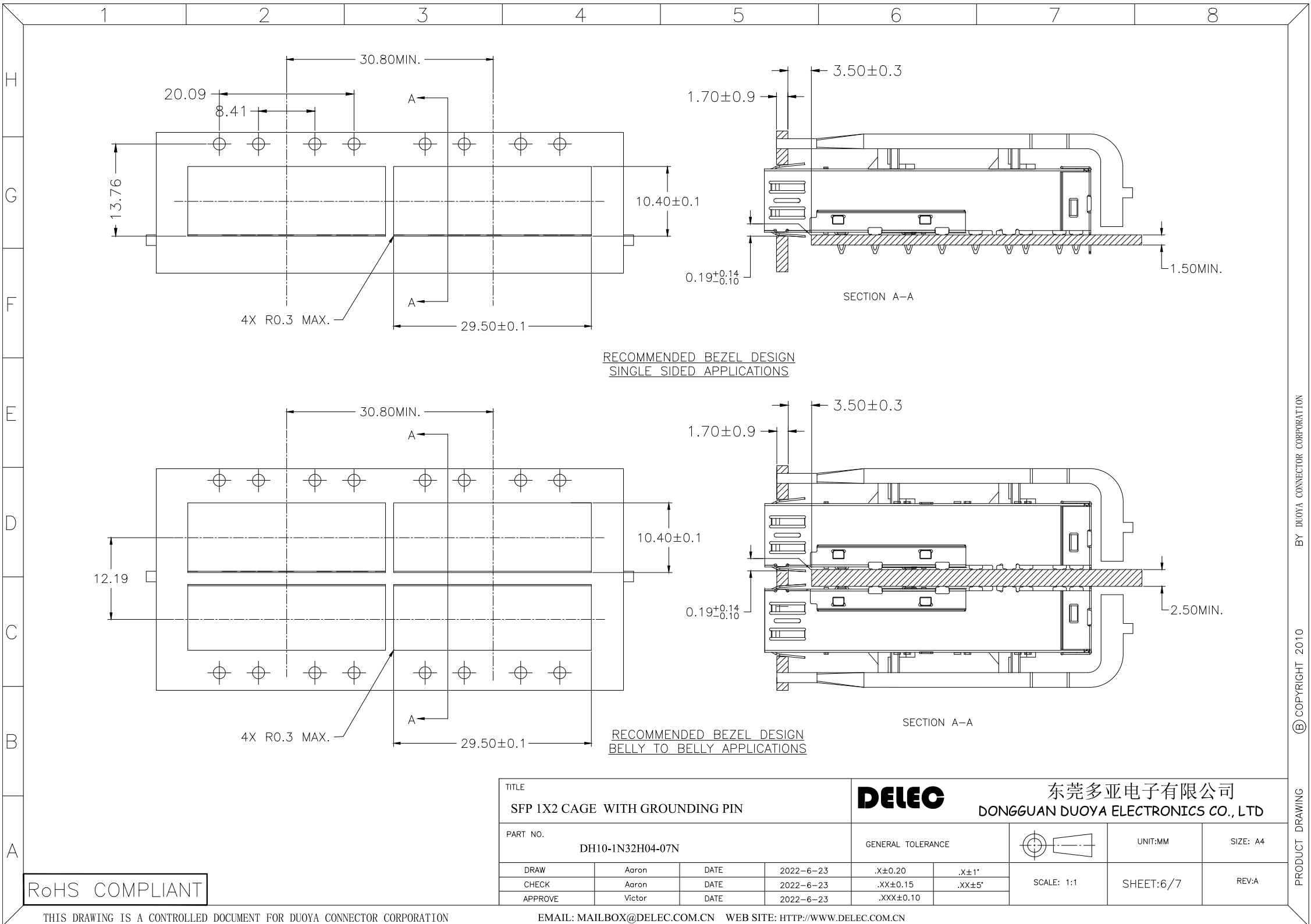
RoHS COMPLIANT



PCB LAYOUT FOR BELLY TO BELLY SIDE MOUNTING

TITLE				DELEC		东莞多亚电子有限公司 DONGGUAN DUOYA ELECTRONICS CO., LTD		
SFP 1X2 CAGE WITH GROUNDING PIN								
PART NO.				GENERAL TOLERANCE		UNIT:MM		
DH10-1N32H04-07N						SIZE: A4		
DRAW	Aaron	DATE	2022-6-23	.X±0.20	.X±1'	SCALE: 1:1	SHEET: 5/7	
CHECK	Aaron	DATE	2022-6-23	.XX±0.15	.XX±5'			REV:A
APPROVE	Victor	DATE	2022-6-23	.XXX±0.10				

RoHS COMPLIANT



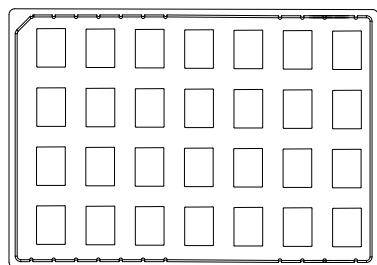
RECOMMENDED BEZEL DESIGN
SINGLE SIDED APPLICATIONS

RECOMMENDED BEZEL DESIGN
BELLY TO BELLY APPLICATIONS

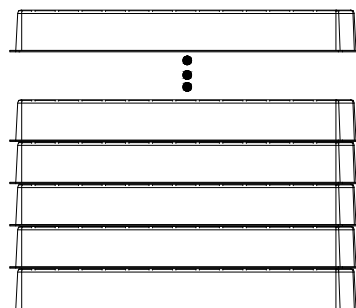
TITLE				DELEC		东莞多亚电子有限公司 DONGGUAN DUOYA ELECTRONICS CO., LTD		
SFP 1X2 CAGE WITH GROUNDING PIN								
PART NO.				GENERAL TOLERANCE			UNIT:MM	SIZE: A4
DH10-1N32H04-07N							SCALE: 1:1	SHEET:6/7
DRAW	Aaron	DATE	2022-6-23	.X±0.20	.X±1'		SHEET:6/7	REV:A
CHECK	Aaron	DATE	2022-6-23	.XX±0.15	.XX±5'			
APPROVE	Victor	DATE	2022-6-23	.XXX±0.10				

RoHS COMPLIANT

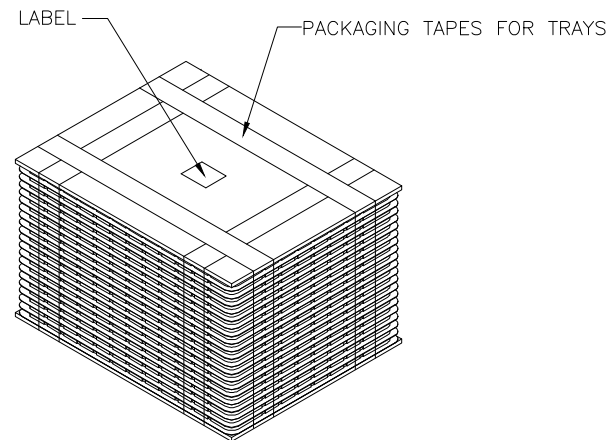
PACKAGE INFORMATION AND LABEL



1. 28PCS PRODUCTS IN TRAYS



2. 8PCS TRAYS OVERLAY:
(THE NEXT TRAY NEED ROTATE 180 DEGREE AND PUT IT ON PREVIOUS TRAY.)
(相邻两个吸塑间水平方向成180度摆放)



3. LABEL & PACKAGING TAPES FOR TRAYS:



4. LABEL & PACKAGING TAPES FOR BOX

PACKAGING LISTS	
ITEM	Q'TY
PRODUCT	168PCS
TRAY	6PCS
BOX(L340*W265*H200MM)	1 PCS
LABLE	2 PCS
PACKAGING TAPES	8 M (ABOUT)

TITLE SFP 1X2 CAGE WITH GROUNDING PIN				DELEC		东莞多亚电子有限公司 DONGGUAN DUOYA ELECTRONICS CO., LTD		
PART NO. DH10-1N32H04-07N				GENERAL TOLERANCE			UNIT:MM	SIZE: A4
DRAW	Aaron	DATE	2022-6-23	.X±0.20	.X±1'	SCALE: 1:1	SHEET:7/7	REV:A
CHECK	Aaron	DATE	2022-6-23	.XX±0.15	.XX±5'			
APPROVE	Victor	DATE	2022-6-23	.XXX±0.10				

RoHS COMPLIANT