

SPECIFICATION FOR APPROVAL

| | | |
|-----------------|------------|---------------|
| DELEC | | |
| MARKETING GROUP | R&D GROUP | QA GROUP |
| ISSUED BY | CHECKED BY | QA INSPECTION |
| Aaron | Victor | Liu Ting |

CUSTOMER

CUSTOMER APPROVAL:

APPROVAL CONCESSIONARY REJECTED

ISSUED BY : _____

CHECKED BY: _____

APPROVED BY: _____

COMMENTS : _____

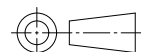
CUSTOMER: _____

CUSTOMER PART NO: _____

SAMPLE Q'TY: _____

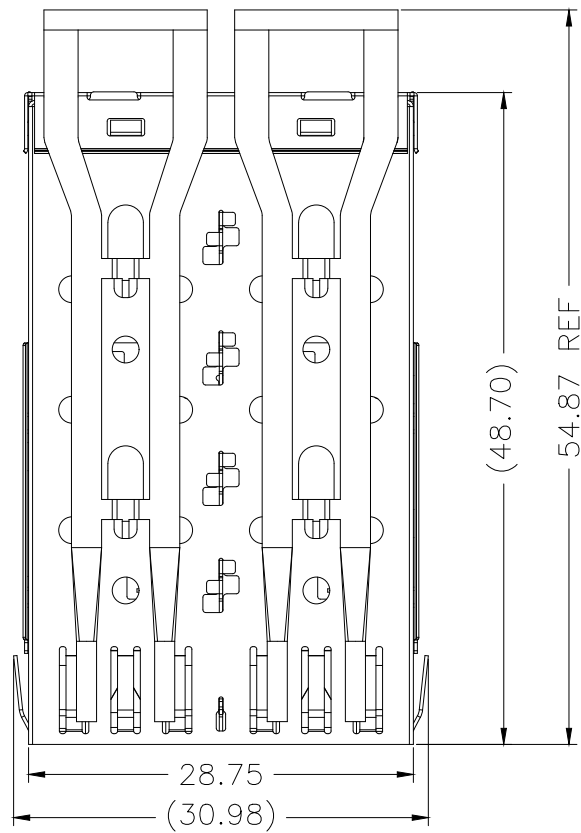
SAMPLE DATE: _____

RoHS COMPLIANT

| | | | | | | | | |
|--|--------|------|-----------|-------------------|--------|---|------------|----------|
| TITLE SFP 1X2 CAGE WITH GROUNDING PIN | | | | DELEC | | 东莞多亚电子有限公司 DONGGUAN DUOYA ELECTRONICS CO., LTD | | |
| PART NO. DH10-1N32H04-01N | | | | GENERAL TOLERANCE | |  | UNIT:MM | SIZE: A4 |
| DRAW | Aaron | DATE | 2022-6-23 | .X±0.20 | .X±1' | SCALE: 1:1 | SHEET: 1/7 | REV:A |
| CHECK | Aaron | DATE | 2022-6-23 | .XX±0.15 | .XX±5' | | | |
| APPROVE | Victor | DATE | 2022-6-23 | .XXX±0.10 | | | | |

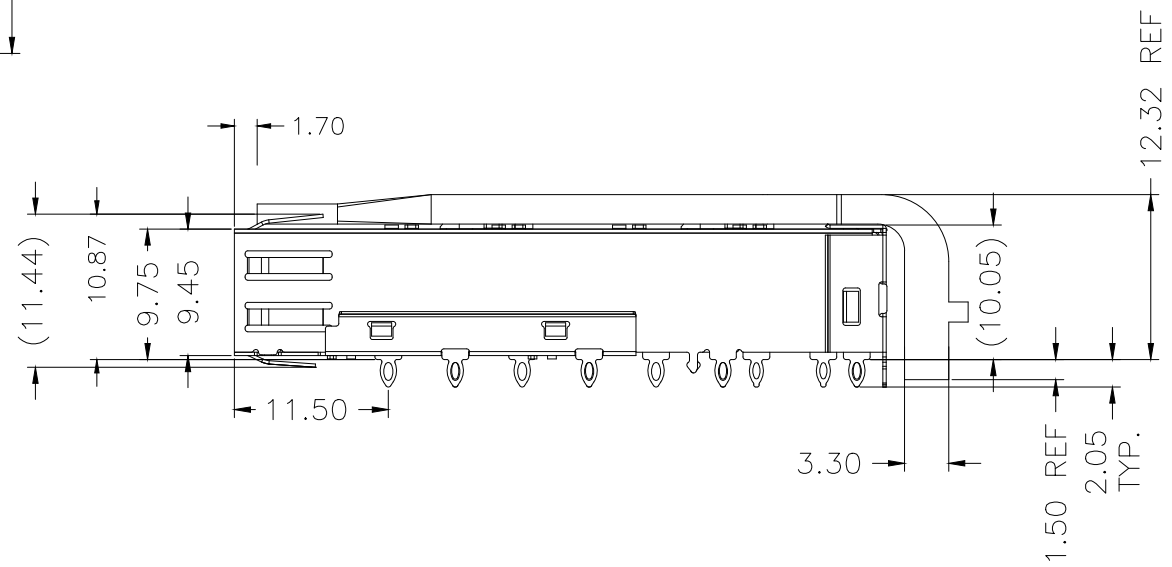
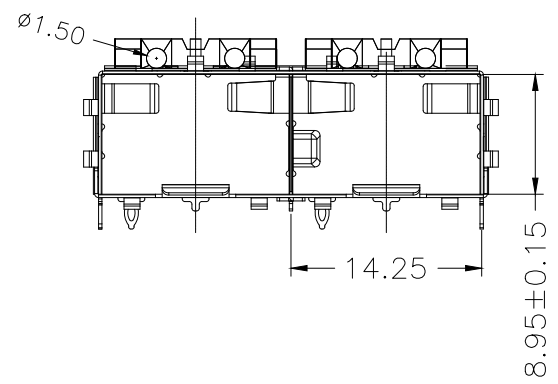
1 2 3 4 5 6 7 8

H
G
F
E
D
C
B
A



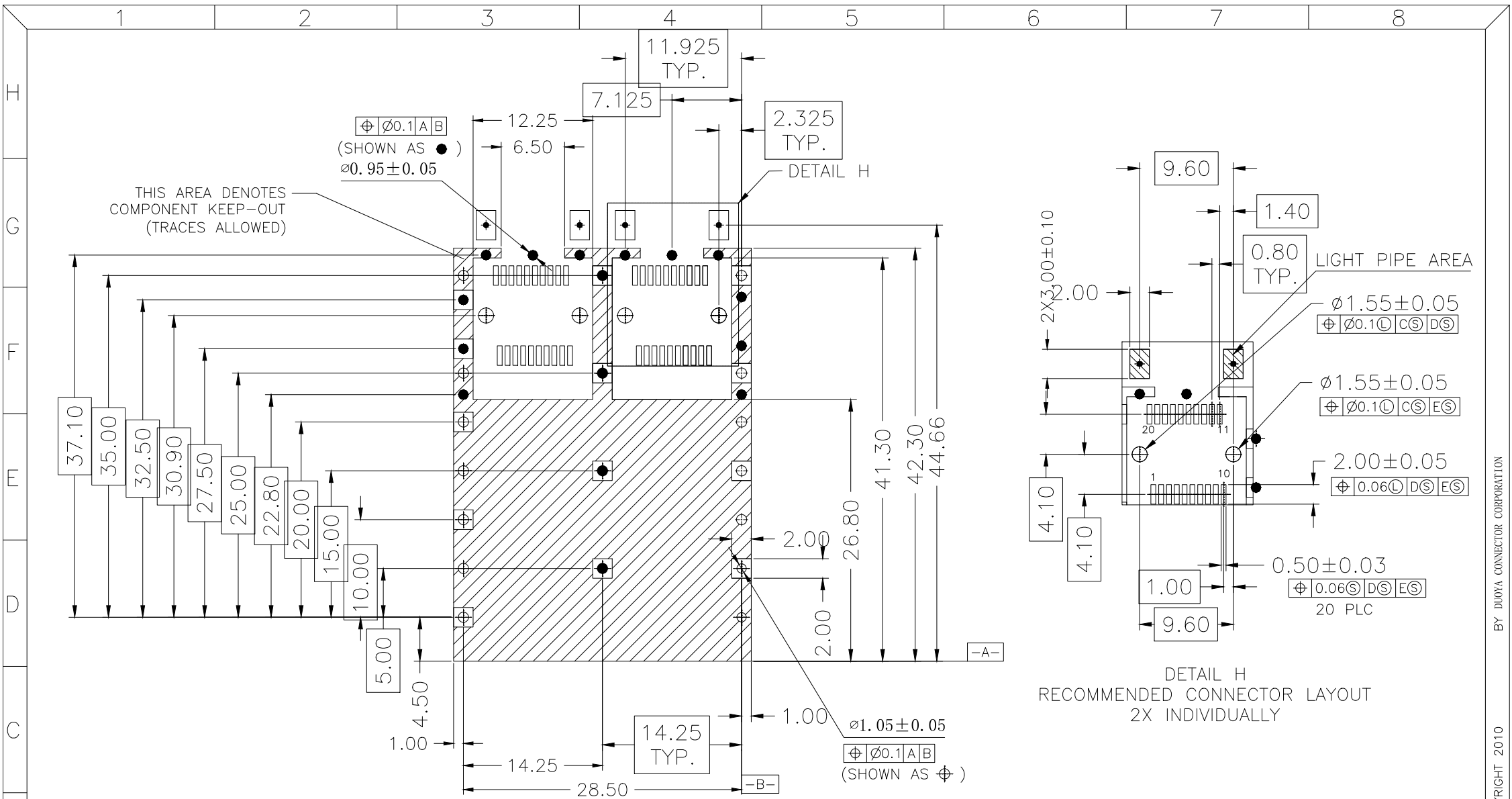
NOTES:

- 1.MATERIAL: COPPER ALLOY, NI-PLATED
LIGHT PIPE: PC,THANSPARENT
- 2.PACKAGING: TRAY PACKAGING
- 3.TEMPERATURE RANGE: -55°C TO +105°C



| | | | | | | | | | |
|---------------------------------|--------|------|-----------|------------------|--------|---|--|------------|--|
| TITLE | | | | DELEC | | 东莞多亚电子有限公司 DONGGUAN DUOYA ELECTRONICS CO., LTD | | | |
| SFP 1X2 CAGE WITH GROUNDING PIN | | | | | | GENERAL TOLERANCE | | UNIT:MM | |
| PART NO. | | | | DH10-1N32H04-01N | | | | SCALE: 1:1 | |
| DRAW | Aaron | DATE | 2022-6-23 | .X±0.20 | .X±1' | | | SHEET:3/7 | |
| CHECK | Aaron | DATE | 2022-6-23 | .XX±0.15 | .XX±5' | | | | |
| APPROVE | Victor | DATE | 2022-6-23 | .XXX±0.10 | | | | | |

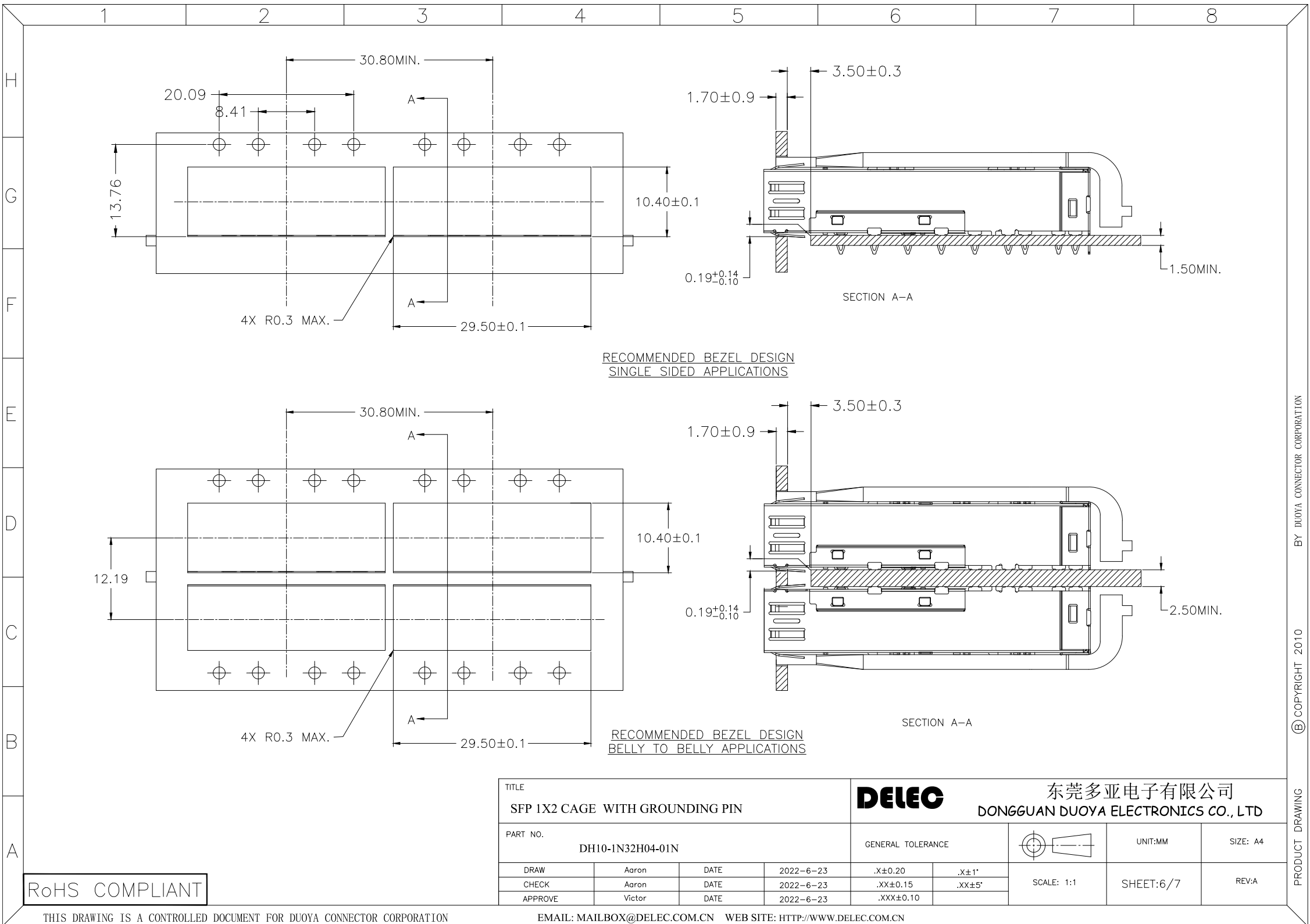
RoHS COMPLIANT



PCB LAYOUT FOR BELLY TO BELLY SIDE MOUNTING

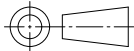
| | | | | | | | | |
|---------------------------------|--------|------|-----------|-------------------|--------|---|------------|-------|
| TITLE | | | | DELEC | | 东莞多亚电子有限公司 DONGGUAN DUOYA ELECTRONICS CO., LTD | | |
| SFP 1X2 CAGE WITH GROUNDING PIN | | | | | | | | |
| PART NO. | | | | GENERAL TOLERANCE | | UNIT:MM | | |
| DH10-1N32H04-01N | | | | | | SIZE: A4 | | |
| DRAW | Aaron | DATE | 2022-6-23 | .X±0.20 | .X±1' | SCALE: 1:1 | SHEET: 5/7 | |
| CHECK | Aaron | DATE | 2022-6-23 | .XX±0.15 | .XX±5' | | | REV:A |
| APPROVE | Victor | DATE | 2022-6-23 | .XXX±0.10 | | | | |

RoHS COMPLIANT



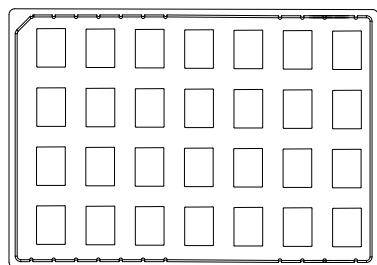
RECOMMENDED BEZEL DESIGN
SINGLE SIDED APPLICATIONS

RECOMMENDED BEZEL DESIGN
BELLY TO BELLY APPLICATIONS

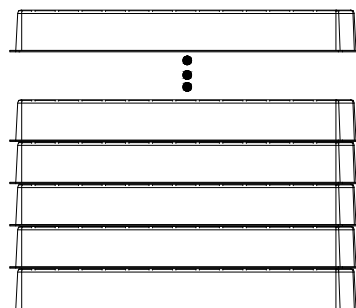
| | | | | | | | | |
|---------------------------------|--------|------|-----------|-------------------|--------|---|------------|-----------|
| TITLE | | | | DELEC | | 东莞多亚电子有限公司 DONGGUAN DUOYA ELECTRONICS CO., LTD | | |
| SFP 1X2 CAGE WITH GROUNDING PIN | | | | | | | | |
| PART NO. | | | | GENERAL TOLERANCE | |  | UNIT:MM | SIZE: A4 |
| DH10-1N32H04-01N | | | | | | | SCALE: 1:1 | SHEET:6/7 |
| DRAW | Aaron | DATE | 2022-6-23 | .X±0.20 | .X±1' | | | |
| CHECK | Aaron | DATE | 2022-6-23 | .XX±0.15 | .XX±5' | | | |
| APPROVE | Victor | DATE | 2022-6-23 | .XXX±0.10 | | | | |

RoHS COMPLIANT

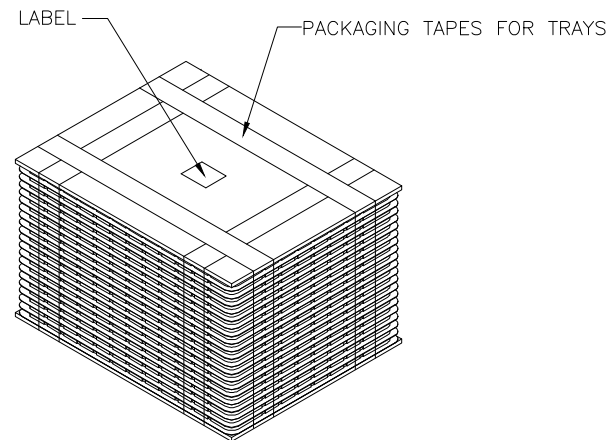
PACKAGE INFORMATION AND LABEL



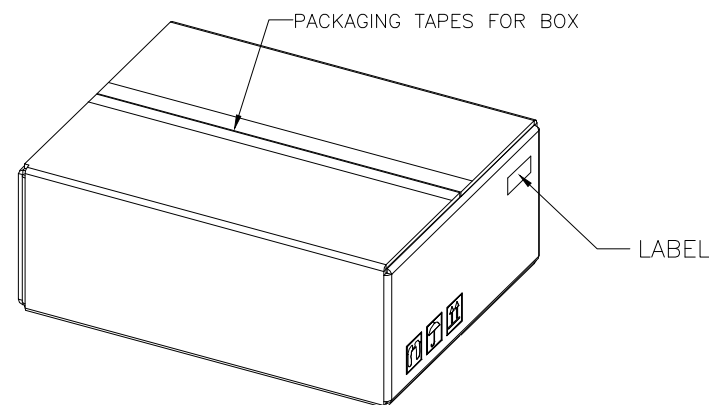
1. 28PCS PRODUCTS IN TRAYS



2. 8PCS TRAYS OVERLAY:
(THE NEXT TRAY NEED ROTATE 180 DEGREE AND PUT IT ON PREVIOUS TRAY.)
(相邻两个吸塑间水平方向成180度摆放)



3. LABEL & PACKAGING TAPES FOR TRAYS:



4. LABEL & PACKAGING TAPES FOR BOX

| PACKAGING LISTS | |
|-----------------------|-------------|
| ITEM | Q'TY |
| PRODUCT | 168PCS |
| TRAY | 6PCS |
| BOX(L340*W265*H200MM) | 1 PCS |
| LABLE | 2 PCS |
| PACKAGING TAPES | 8 M (ABOUT) |

| | | | | | | | | |
|--|--------|------|-----------|-------------------|--------|---|-----------|----------|
| TITLE SFP 1X2 CAGE WITH GROUNDING PIN | | | | DELEC | | 东莞多亚电子有限公司 DONGGUAN DUOYA ELECTRONICS CO., LTD | | |
| PART NO. DH10-1N32H04-01N | | | | GENERAL TOLERANCE | | | UNIT:MM | SIZE: A4 |
| DRAW | Aaron | DATE | 2022-6-23 | .X±0.20 | .X±1' | SCALE: 1:1 | SHEET:7/7 | REV:A |
| CHECK | Aaron | DATE | 2022-6-23 | .XX±0.15 | .XX±5' | | | |
| APPROVE | Victor | DATE | 2022-6-23 | .XXX±0.10 | | | | |

RoHS COMPLIANT