

SPECIFICATION FOR APPROVAL

DELEC		
MARKETING GROUP	R&D GROUP	QA GROUP
ISSUED BY	CHECKED BY	QA INSPECTION
Aaron	Victor	Liu Ting

CUSTOMER

CUSTOMER APPROVAL:

APPROVAL CONCESSIONARY REJECTED

ISSUED BY : _____

CHECKED BY: _____

APPROVED BY: _____

COMMENTS : _____

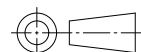
CUSTOMER: _____

CUSTOMER PART NO: _____

SAMPLE Q'TY: _____

SAMPLE DATE: _____

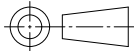
RoHS COMPLIANT

TITLE SFP+ 1X1 CAGE WITH GROUNDING PIN				DELEC		东莞多亚电子有限公司 DONGGUAN DUOYA ELECTRONICS CO., LTD		
PART NO. DH10-2N31220-06N				GENERAL TOLERANCE			UNIT:MM	SIZE: A4
DRAW	Aaron	DATE	2022-6-23	.X±0.20	.X±1'	SCALE: 1:1	SHEET: 1/6	REV:A
CHECK	Aaron	DATE	2022-6-23	.XX±0.15	.XX±5'			
APPROVE	Victor	DATE	2022-6-23	.XXX±0.10				

H
G
F
E
D
C
B
A

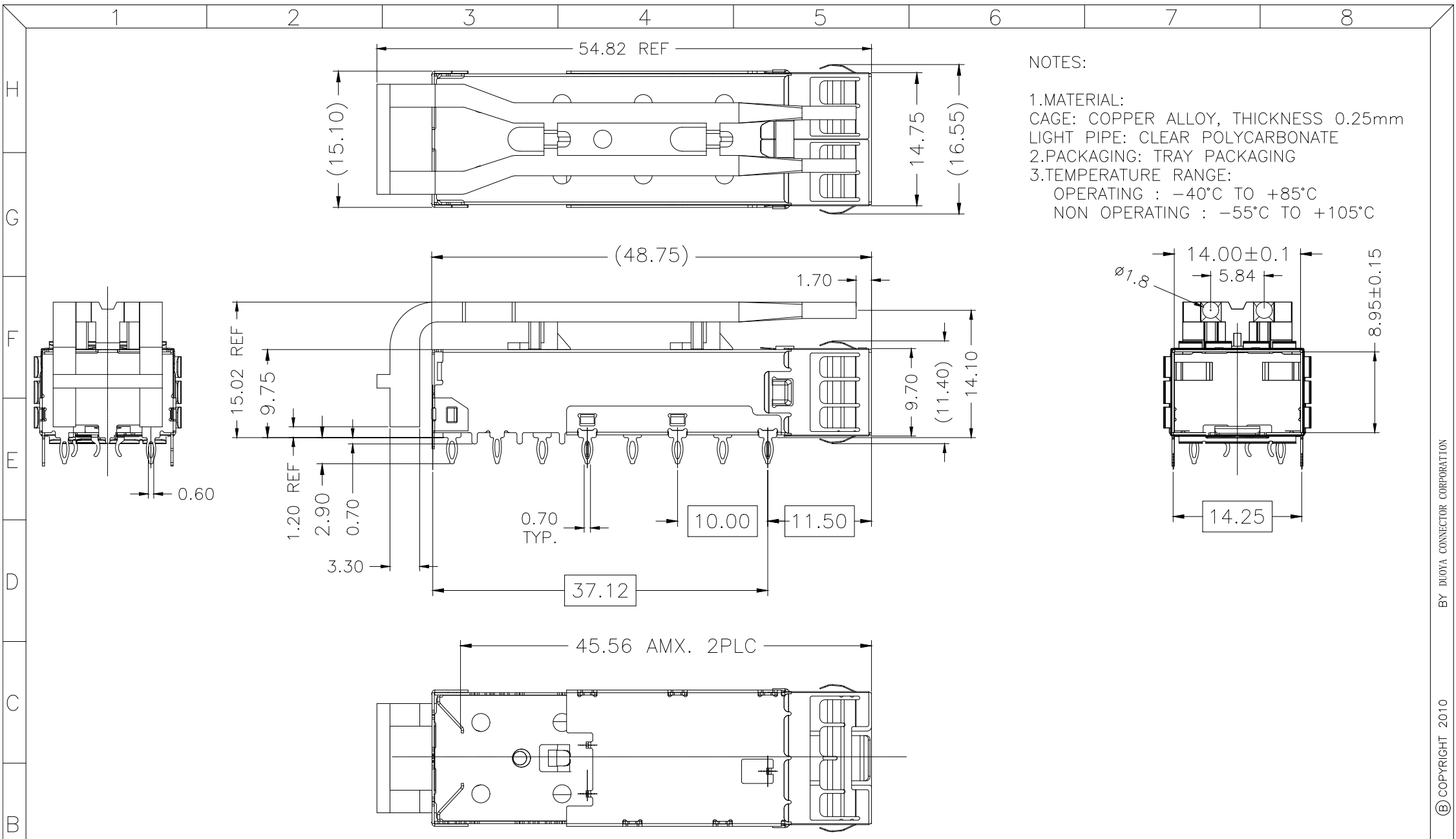
ISSUE RECORD

REV	DESCRIPTION OF CHANGE	REVIEWED BY	APPROVED BY	ISSUE DATE
A	FIRST ISSUE	Aaron	Victor	2022-6-23

TITLE SFP+ 1X1 CAGE WITH GROUNDING PIN				DELEC 东莞多亚电子有限公司 DONGGUAN DUOYA ELECTRONICS CO., LTD	
PART NO. DH10-2N31220-06N				GENERAL TOLERANCE	 UNIT:MM SIZE: A4
DRAW	Aaron	DATE	2022-6-23	.X±0.20	.X±1'
CHECK	Aaron	DATE	2022-6-23	.XX±0.15	.XX±5'
APPROVE	Victor	DATE	2022-6-23	.XXX±0.10	
				SCALE: 1:1	SHEET: 2/6 REV:A

RoHS COMPLIANT

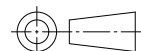
PRODUCT DRAWING © COPYRIGHT 2010 BY DUOYA CONNECTOR CORPORATION

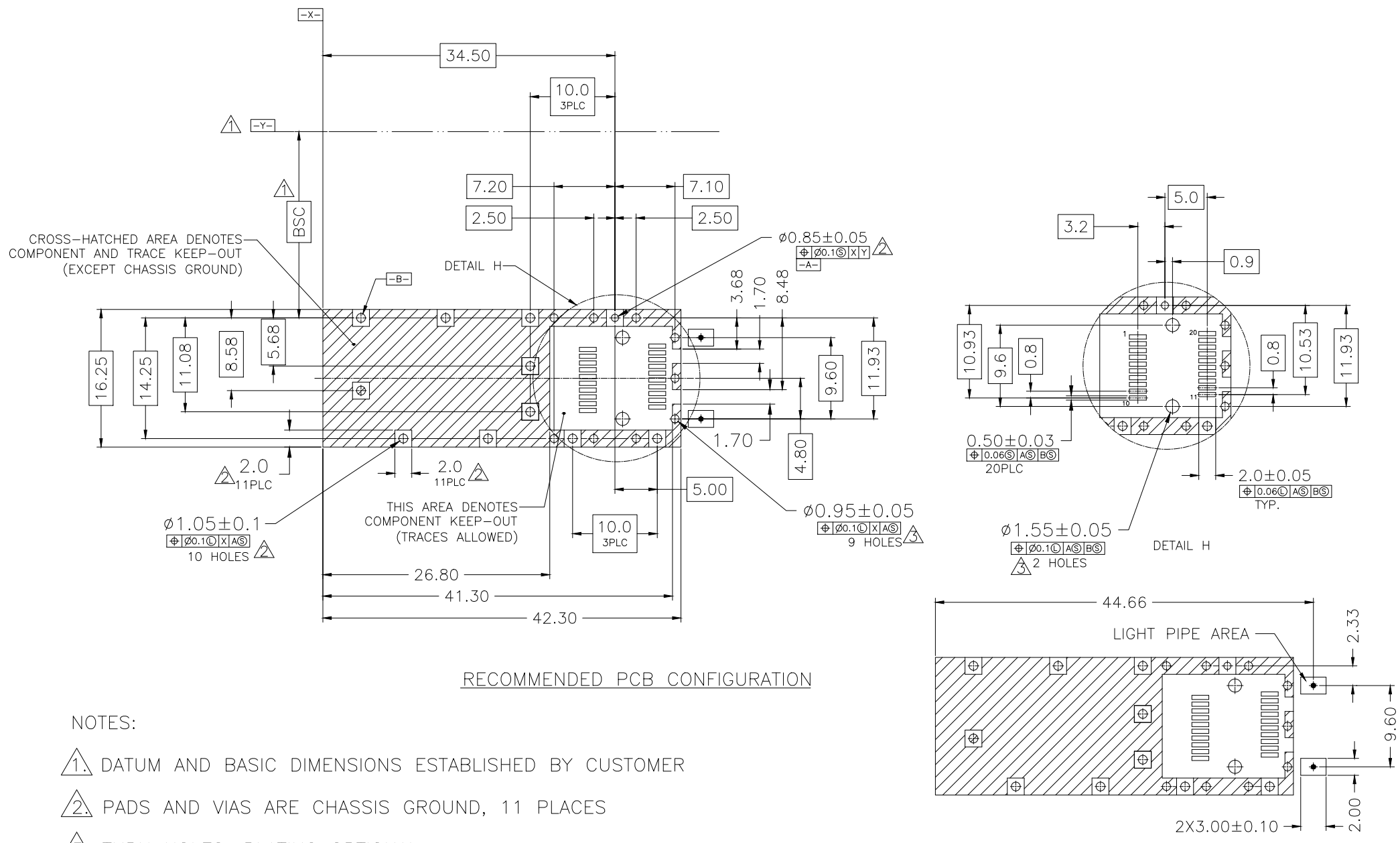


NOTES:

- 1.MATERIAL:
CAGE: COPPER ALLOY, THICKNESS 0.25mm
LIGHT PIPE: CLEAR POLYCARBONATE
- 2.PACKAGING: TRAY PACKAGING
- 3.TEMPERATURE RANGE:
OPERATING : -40°C TO +85°C
NON OPERATING : -55°C TO +105°C

RoHS COMPLIANT

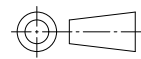
TITLE				DELEC		东莞多亚电子有限公司 DONGGUAN DUOYA ELECTRONICS CO., LTD		
SFP+ 1X1 CAGE WITH GROUNDING PIN								
PART NO.				GENERAL TOLERANCE			UNIT:MM	SIZE: A4
DH10-2N31220-06N							SCALE: 1:1	SHEET: 3/6
DRAW	Aaron	DATE	2022-6-23	.X±0.20	.X±1'			
CHECK	Aaron	DATE	2022-6-23	.XX±0.15	.XX±5'			
APPROVE	Victor	DATE	2022-6-23	.XXX±0.10				



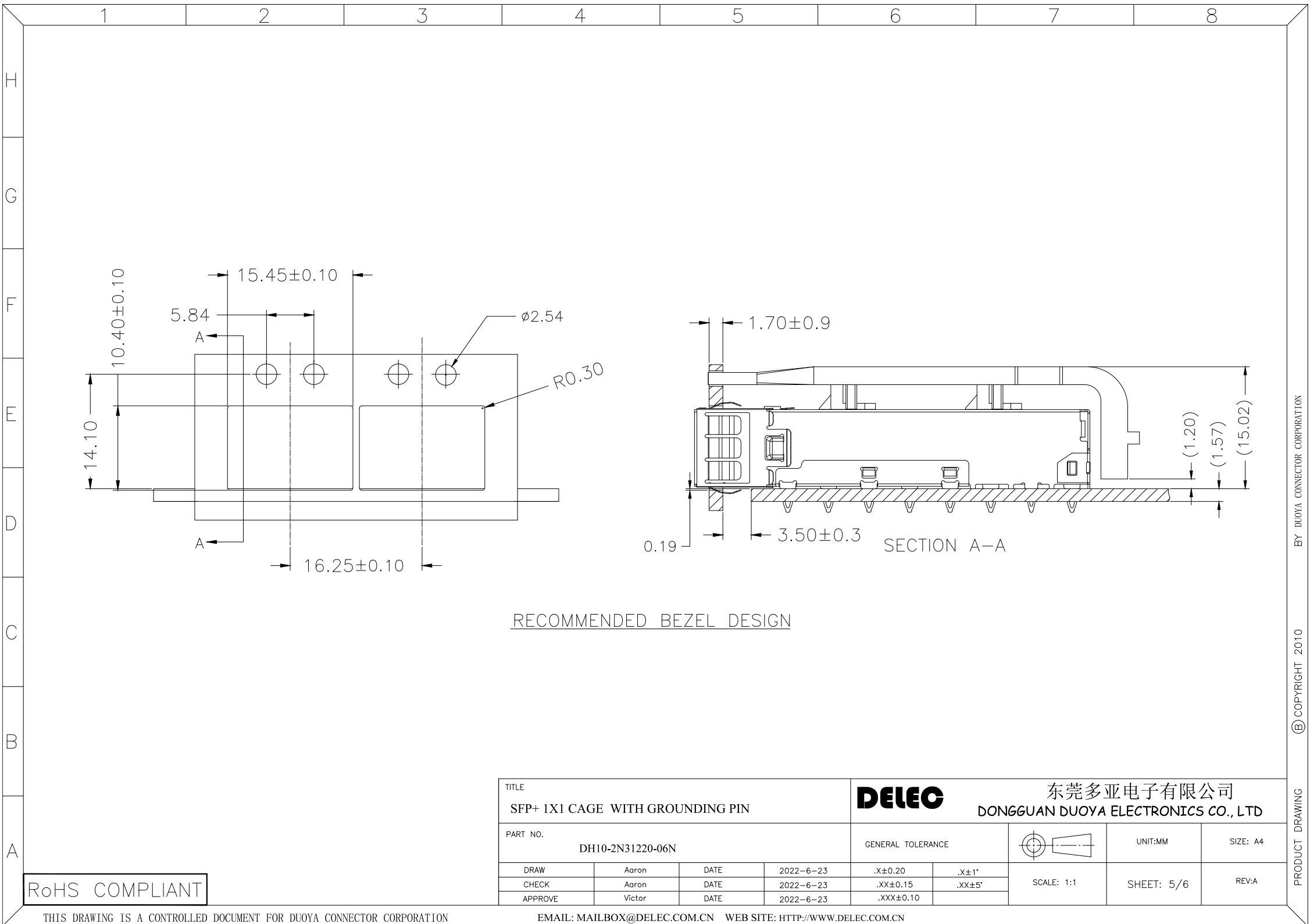
RECOMMENDED PCB CONFIGURATION

NOTES:

- 1. DATUM AND BASIC DIMENSIONS ESTABLISHED BY CUSTOMER
- 2. PADS AND VIAS ARE CHASSIS GROUND, 11 PLACES
- 3. THRU HOLES, PLATING OPTIONAL

TITLE				DELEC		东莞多亚电子有限公司 DONGGUAN DUOYA ELECTRONICS CO., LTD		
SFP+ 1X1 CAGE WITH GROUNDING PIN								
PART NO.				GENERAL TOLERANCE			UNIT:MM	SIZE: A4
DH10-2N31220-06N				.X±0.20 .X±1'				
DRAW	Aaron	DATE	2022-6-23	.XX±0.15	.XX±5'	SCALE: 1:1	SHEET: 4/6	REV:A
CHECK	Aaron	DATE	2022-6-23	.XXX±0.10				
APPROVE	Victor	DATE	2022-6-23					

RoHS COMPLIANT

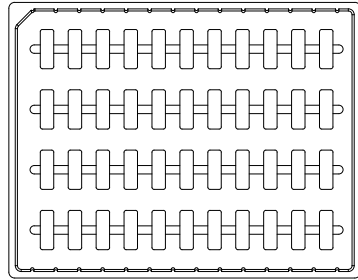


RECOMMENDED BEZEL DESIGN

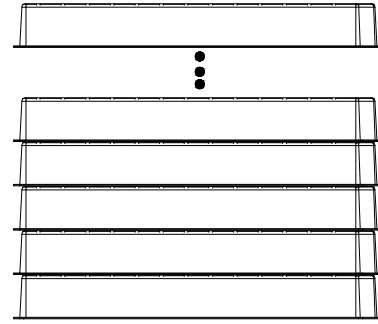
TITLE				DELEC		东莞多亚电子有限公司 DONGGUAN DUOYA ELECTRONICS CO., LTD	
SFP+ 1X1 CAGE WITH GROUNDING PIN				GENERAL TOLERANCE			UNIT:MM
PART NO.						SCALE: 1:1	SIZE: A4
DH10-2N31220-06N						SHEET: 5/6	REV:A
DRAW	Aaron	DATE	2022-6-23	.X±0.20	.X±1'		
CHECK	Aaron	DATE	2022-6-23	.XX±0.15	.XX±5'		
APPROVE	Victor	DATE	2022-6-23	.XXX±0.10			

RoHS COMPLIANT

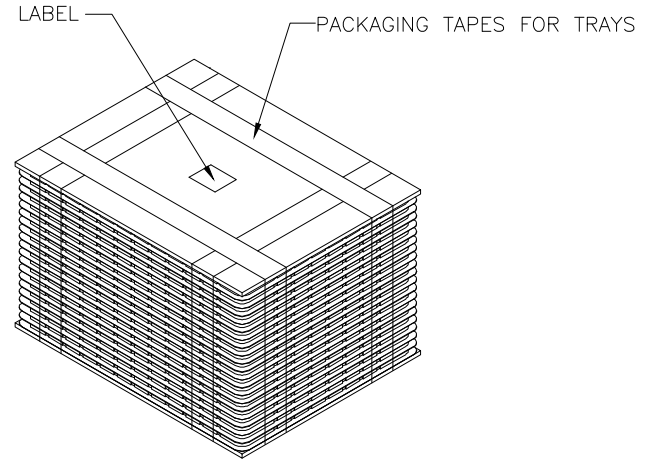
PACKAGE INFORMATION AND LABEL



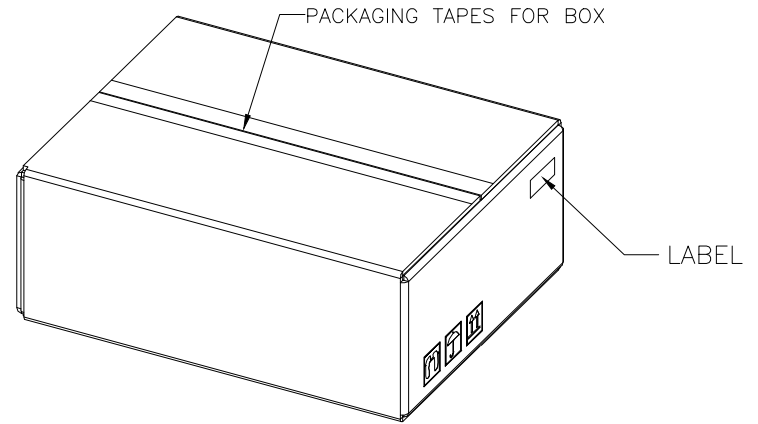
1. PRODUCTS IN TRAYS



2. TRAYS OVERLAY:
(THE NEXT TRAY NEED ROTATE 180 DEGREE AND PUT IT ON PREVIOUS TRAY.)
(相邻两个吸塑间水平方向成180度摆放)



3. LABEL & PACKAGING TAPES FOR TRAYS:



4. LABEL & PACKAGING TAPES FOR BOX

PACKAGING LISTS	
ITEM	Q'TY
PRODUCT	220 PCS
TRAY	5 PCS
BOX(L340*W265*H200MM)	1 PCS
LABLE	2 PCS
PACKAGING TAPES	8 M (ABOUT)

TITLE SFP+ 1X1 CAGE WITH GROUNDING PIN				DELEC		东莞多亚电子有限公司 DONGGUAN DUOYA ELECTRONICS CO., LTD		
PART NO. DH10-2N31220-06N				GENERAL TOLERANCE			UNIT:MM	SIZE: A4
DRAW	Aaron	DATE	2022-6-23	.X±0.20	.X±1'	SCALE: 1:1	SHEET: 6/6	REV:A
CHECK	Aaron	DATE	2022-6-23	.XX±0.15	.XX±5'			
APPROVE	Victor	DATE	2022-6-23	.XXX±0.10				

RoHS COMPLIANT