

SPECIFICATION FOR APPROVAL

DELEC		
MARKETING GROUP	R&D GROUP	QA GROUP
ISSUED BY	CHECKED BY	QA INSPECTION
Aaron	Victor	Liu Ting

CUSTOMER

CUSTOMER APPROVAL:

APPROVAL CONCESSIONARY REJECTED

ISSUED BY : _____

CHECKED BY: _____

APPROVED BY: _____

COMMENTS : _____

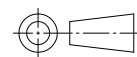
CUSTOMER: _____

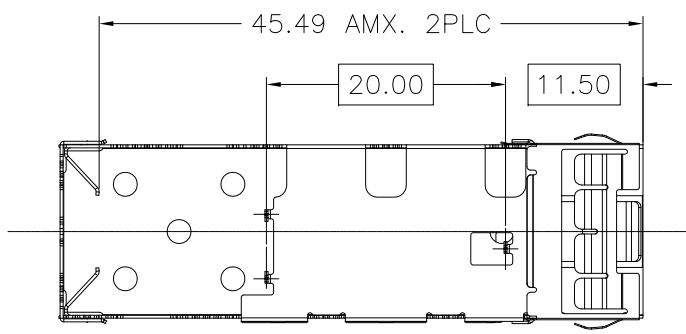
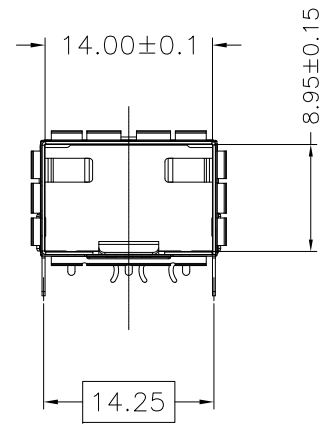
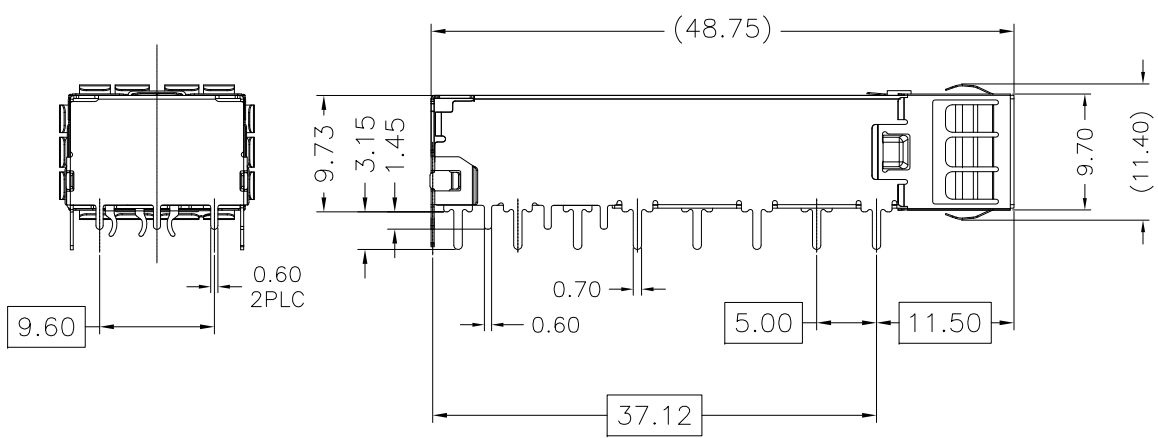
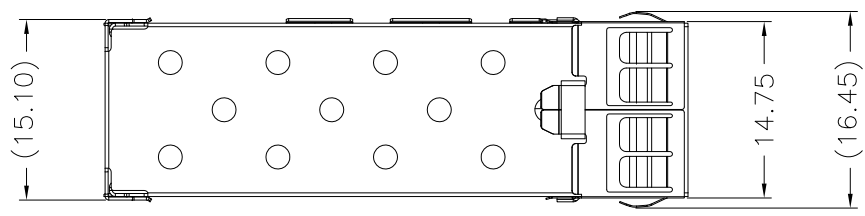
CUSTOMER PART NO: _____

SAMPLE Q'TY: _____

SAMPLE DATE: _____

RoHS COMPLIANT

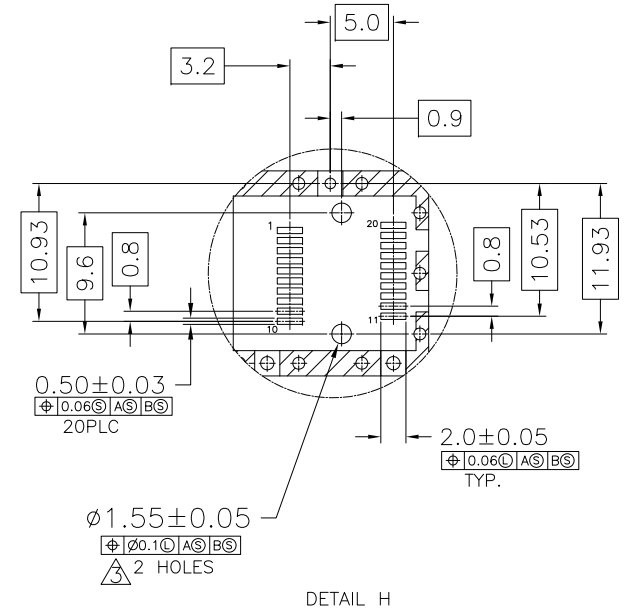
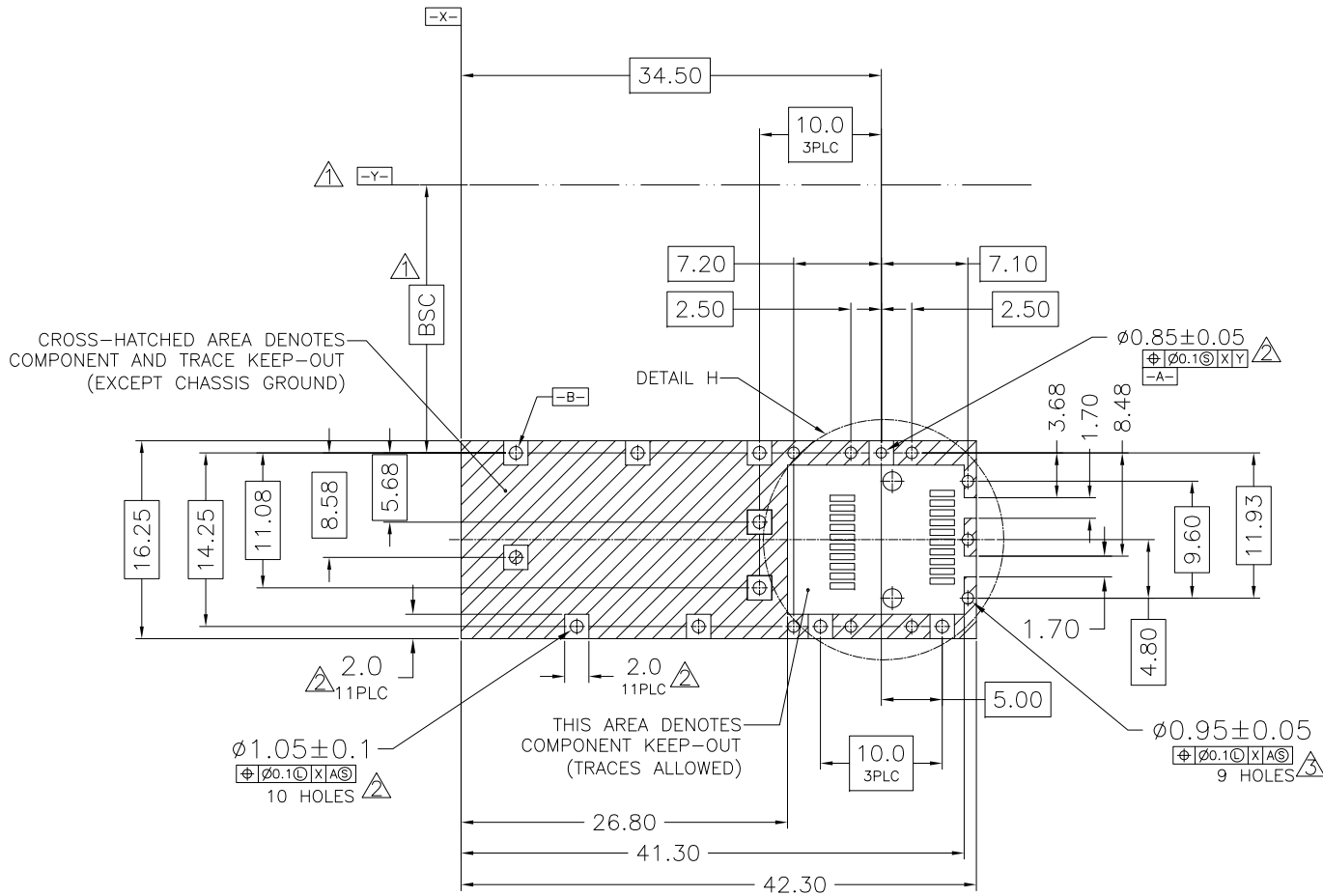
TITLE SFP+ 1X1 CAGE				DELEC		东莞多亚电子有限公司 DONGGUAN DUOYA ELECTRONICS CO., LTD		
PART NO. DH10-2N31Y01-00N				GENERAL TOLERANCE			UNIT:MM	SIZE: A4
DRAW	Aaron	DATE	2021-04-17	.X±0.20	.X±1'	SCALE: 1:1	SHEET: 1/6	REV:A
CHECK	Aaron	DATE	2021-04-17	.XX±0.15	.XX±5'			
APPROVE	Victor	DATE	2021-04-17	.XXX±0.10				



NOTES:
 1.MATERIAL: COPPER ALLOY, THICKNESS 0.25mm, NI-PLATED
 2.PACKAGING: TRAY PACKAGING
 3.TEMPERATURE RANGE: -55°C TO +85°C

RoHS COMPLIANT

TITLE SFP+ 1X1 CAGE				DELEC		东莞多亚电子有限公司 DONGGUAN DUOYA ELECTRONICS CO., LTD		
PART NO. DH10-2N31Y01-00N				GENERAL TOLERANCE			UNIT:MM	SIZE: A4
DRAW	Aaron	DATE	2021-04-17	.X±0.20	.X±1'	SCALE: 1:1	SHEET: 3/6	REV:A
CHECK	Aaron	DATE	2021-04-17	.XX±0.15	.XX±5'			
APPROVE	Victor	DATE	2021-04-17	.XXX±0.10				



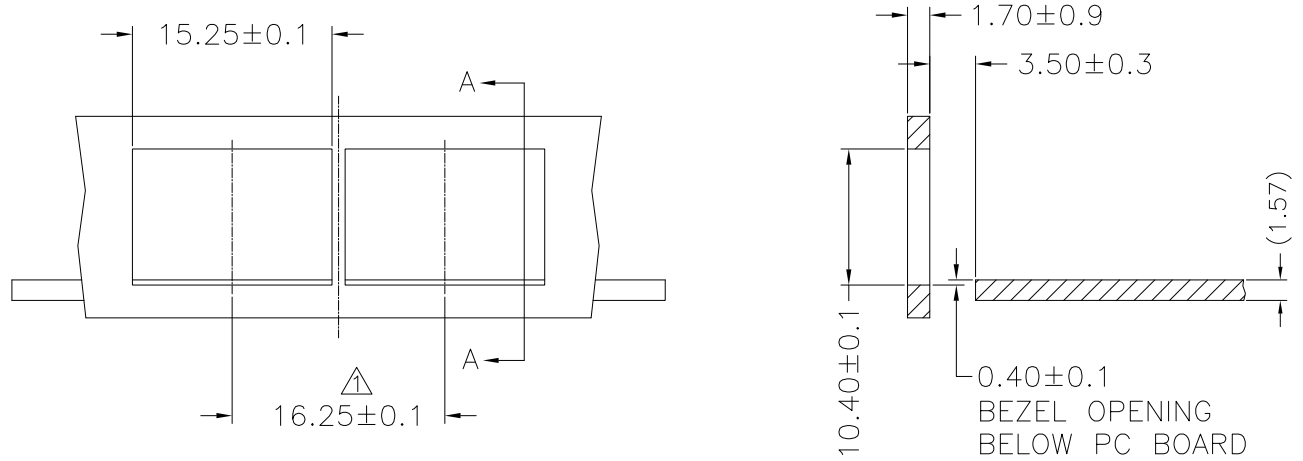
RECOMMENDED PCB CONFIGURATION

NOTES:

- 1. DATUM AND BASIC DIMENSIONS ESTABLISHED BY CUSTOMER
- 2. PADS AND VIAS ARE CHASSIS GROUND, 11 PLACES
- 3. THRU HOLES, PLATING OPTIONAL

TITLE SFP+ 1X1 CAGE				DELEC 东莞多亚电子有限公司 DONGGUAN DUOYA ELECTRONICS CO., LTD			UNIT:MM	SIZE: A4
PART NO. DH10-2N31Y01-00N								
DRAW	Aaron	DATE	2021-04-17	.X±0.20	.X±1'	SCALE: 1:1	SHEET: 4/6	REV:A
CHECK	Aaron	DATE	2021-04-17	.XX±0.15	.XX±5'			
APPROVE	Victor	DATE	2021-04-17	.XXX±0.10				

RoHS COMPLIANT



SECTION A-A

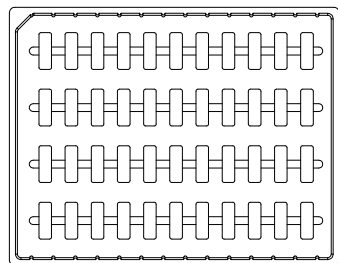
RECOMMENDED BEZEL DESIGN

NOTES:
 ▲ MINIMUM PITCH ILLUSTRATED, ENGLISH DIMENSIONS ARE FOR REFERENCE ONLY

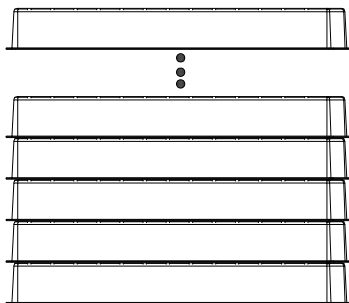
RoHS COMPLIANT

TITLE SFP+ 1X1 CAGE				东莞多亚电子有限公司 DONGGUAN DUOYA ELECTRONICS CO., LTD		UNIT:MM SIZE: A4
PART NO. DH10-2N31Y01-00N						
DRAW	Aaron	DATE	2021-04-17	.X±0.20	.X±1'	SCALE: 1:1
CHECK	Aaron	DATE	2021-04-17	.XX±0.15	.XX±5'	
APPROVE	Victor	DATE	2021-04-17	.XXX±0.10		SHEET: 5/6
						REV:A

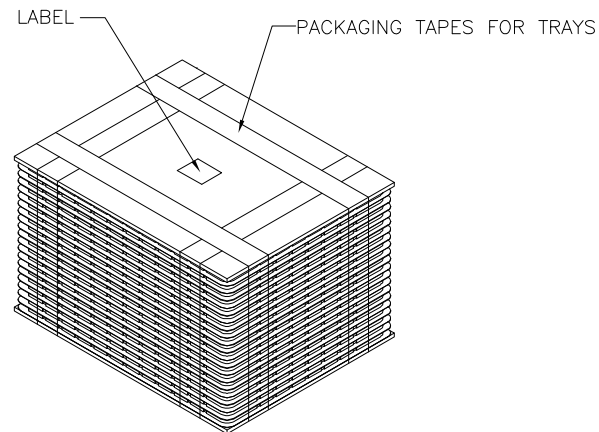
PACKAGE INFORMATION AND LABEL



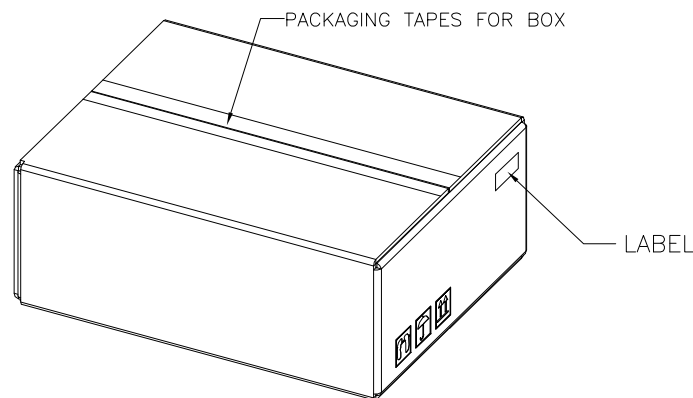
1. PRODUCTS IN TRAYS



2. TRAYS OVERLAY:
(THE NEXT TRAY NEED ROTATE 180 DEGREE AND PUT IT ON PREVIOUS TRAY.)
(相邻两个吸塑间水平方向成180度摆放)



3. LABEL & PACKAGING TAPES FOR TRAYS:



4. LABEL & PACKAGING TAPES FOR BOX

PACKAGING LISTS	
ITEM	Q'TY
PRODUCT	352 PCS
TRAY	8 PCS
BOX(L340*W265*H200MM)	1 PCS
LABLE	2 PCS
PACKAGING TAPES	8 M (ABOUT)

TITLE SFP+ 1X1 CAGE				DELEC		东莞多亚电子有限公司 DONGGUAN DUOYA ELECTRONICS CO., LTD				
PART NO. DH10-2N31Y01-00N				GENERAL TOLERANCE			UNIT:MM	SIZE: A4		
DRAW	Aaron	DATE	2021-04-17	.X±0.20	.X±1'	SCALE: 1:1	SHEET: 6/6	REV:A		
CHECK	Aaron	DATE	2021-04-17	.XX±0.15	.XX±5'					
APPROVE	Victor	DATE	2021-04-17	.XXX±0.10						

RoHS COMPLIANT