

# SPECIFICATION FOR APPROVAL

|                 |            |               |
|-----------------|------------|---------------|
| <b>DELEC</b>    |            |               |
| MARKETING GROUP | R&D GROUP  | QA GROUP      |
| ISSUED BY       | CHECKED BY | QA INSPECTION |
| Aaron           | Victor     | Liu Ting      |

## CUSTOMER

### CUSTOMER APPROVAL:

APPROVAL     
  CONCESSIONARY     
  REJECTED

ISSUED BY : \_\_\_\_\_

CHECKED BY: \_\_\_\_\_

APPROVED BY: \_\_\_\_\_

COMMENTS : \_\_\_\_\_  
 \_\_\_\_\_

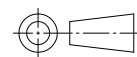
CUSTOMER: \_\_\_\_\_

CUSTOMER PART NO: \_\_\_\_\_

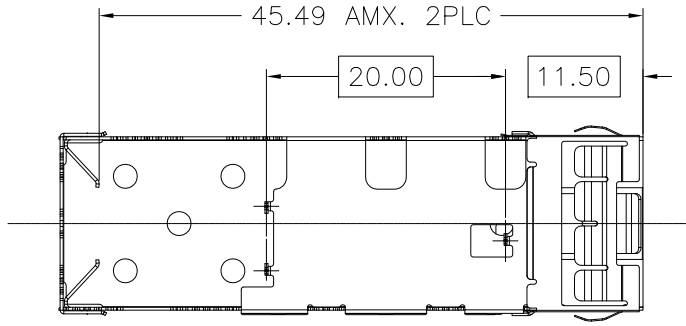
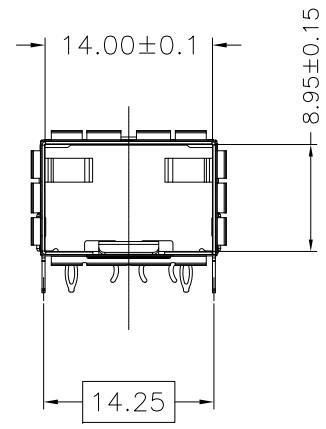
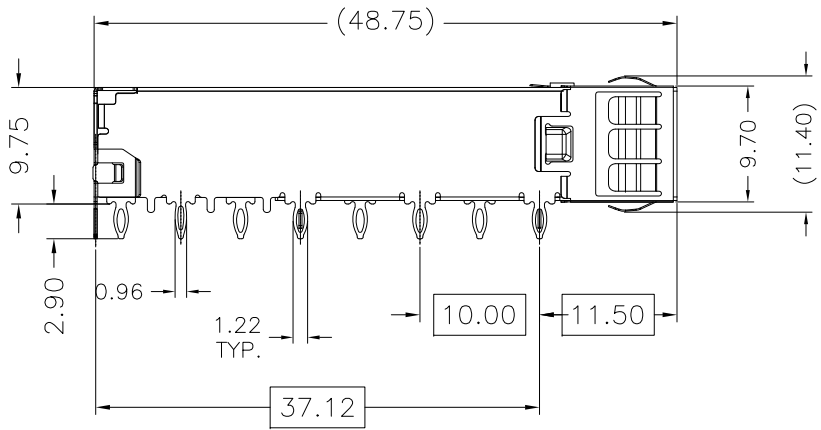
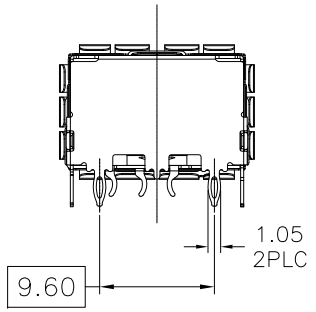
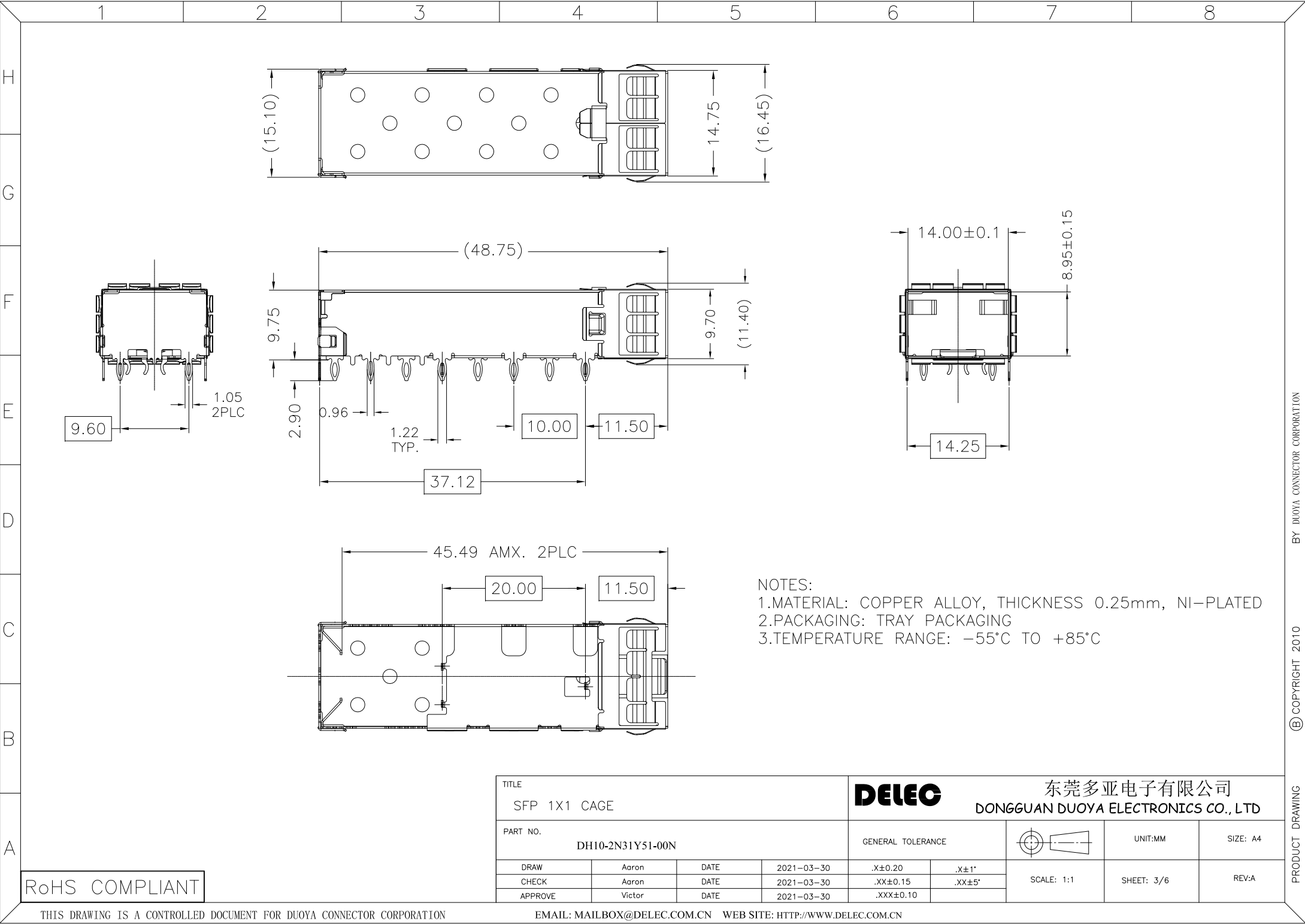
SAMPLE Q'TY: \_\_\_\_\_

SAMPLE DATE: \_\_\_\_\_

RoHS COMPLIANT

|                              |        |      |            |                   |        |   |            |          |
|------------------------------|--------|------|------------|-------------------|--------|---|------------|----------|
| TITLE<br>SFP 1X1 CAGE        |        |      |            | <b>DELEC</b>      |        | 东莞多亚电子有限公司<br>DONGGUAN DUOYA ELECTRONICS CO., LTD                                     |            |          |
| PART NO.<br>DH10-2N31Y51-00N |        |      |            | GENERAL TOLERANCE |        |  | UNIT:MM    | SIZE: A4 |
| DRAW                         | Aaron  | DATE | 2021-03-30 | .X±0.20           | .X±1'  | SCALE: 1:1  | SHEET: 1/6 | REV:A    |
| CHECK                        | Aaron  | DATE | 2021-03-30 | .XX±0.15          | .XX±5' |   |            |          |
| APPROVE                      | Victor | DATE | 2021-03-30 | .XXX±0.10         |        |   |            |          |

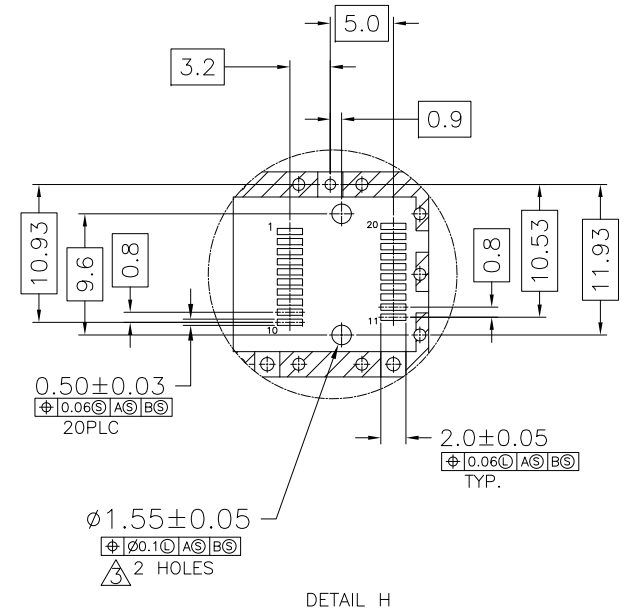
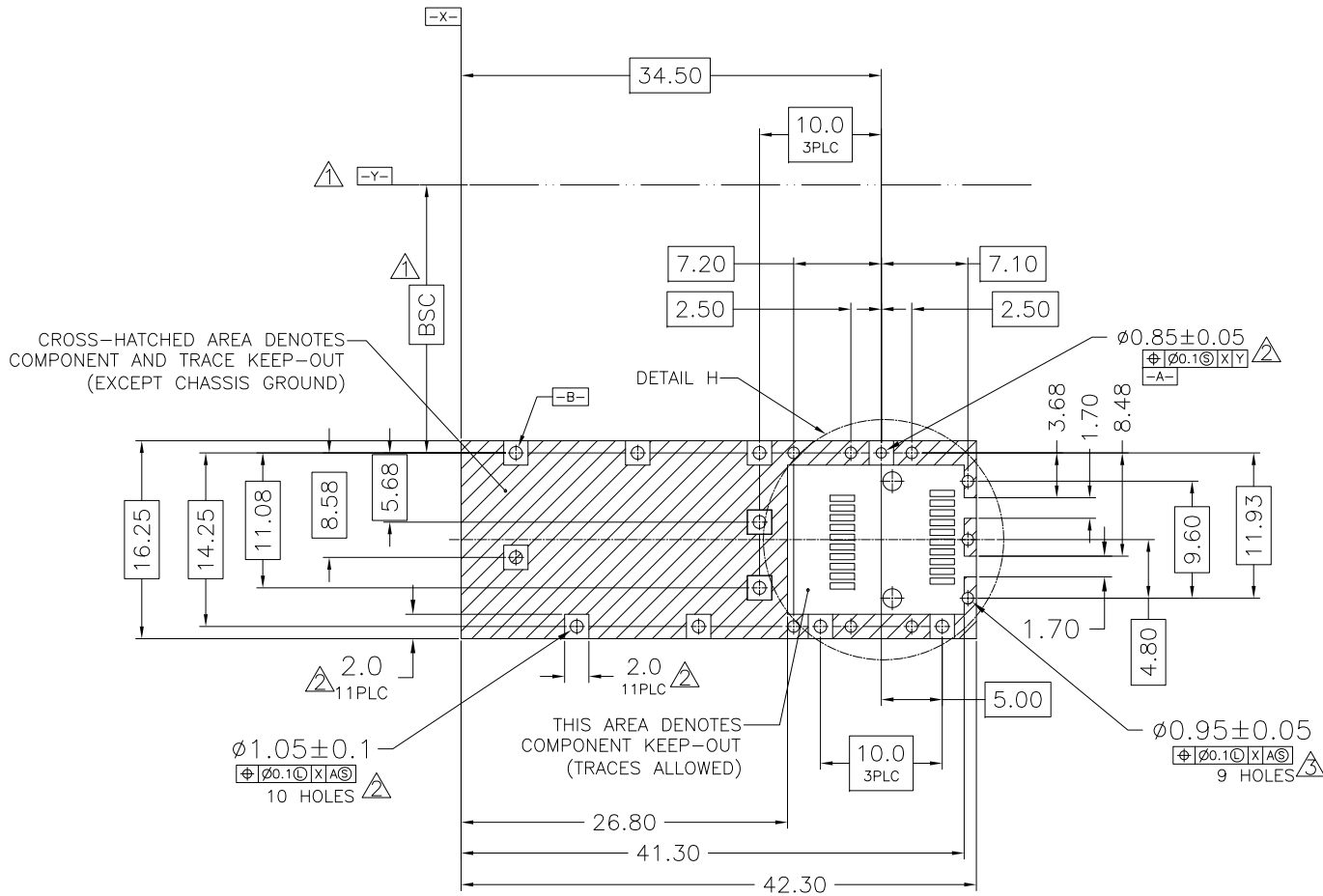




NOTES:  
 1.MATERIAL: COPPER ALLOY, THICKNESS 0.25mm, NI-PLATED  
 2.PACKAGING: TRAY PACKAGING  
 3.TEMPERATURE RANGE: -55°C TO +85°C

RoHS COMPLIANT

|                              |        |      |            |                   |        |   |            |          |
|------------------------------|--------|------|------------|-------------------|--------|---|------------|----------|
| TITLE<br>SFP 1X1 CAGE        |        |      |            | <b>DELEC</b>      |        | 东莞多亚电子有限公司<br>DONGGUAN DUOYA ELECTRONICS CO., LTD |            |          |
| PART NO.<br>DH10-2N31Y51-00N |        |      |            | GENERAL TOLERANCE |        |   | UNIT:MM    | SIZE: A4 |
| DRAW                         | Aaron  | DATE | 2021-03-30 | .X±0.20           | .X±1'  | SCALE: 1:1  | SHEET: 3/6 | REV:A    |
| CHECK                        | Aaron  | DATE | 2021-03-30 | .XX±0.15          | .XX±5' |   |            |          |
| APPROVE                      | Victor | DATE | 2021-03-30 | .XXX±0.10         |        |   |            |          |



CROSS-HATCHED AREA DENOTES COMPONENT AND TRACE KEEP-OUT (EXCEPT CHASSIS GROUND)

THIS AREA DENOTES COMPONENT KEEP-OUT (TRACES ALLOWED)

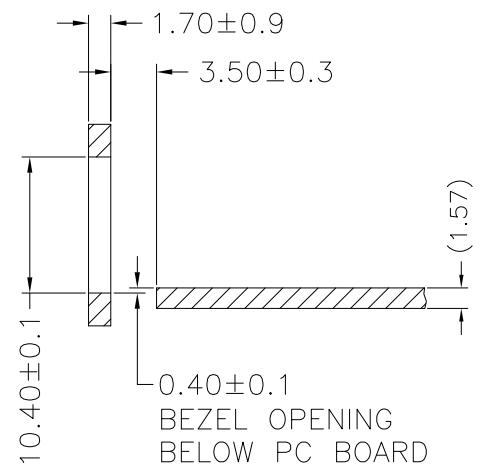
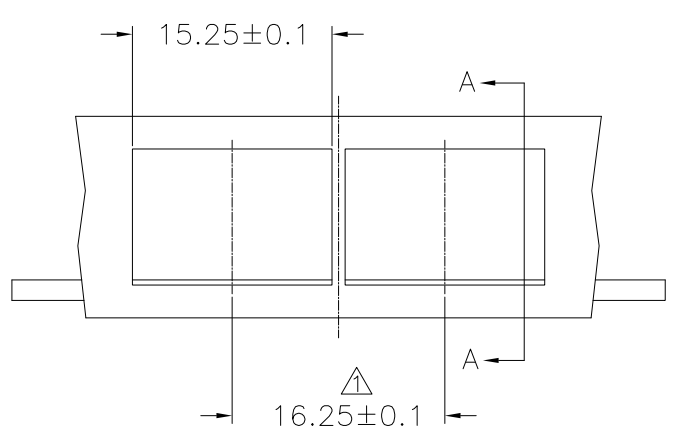
RECOMMENDED PCB CONFIGURATION

NOTES:

- 1. DATUM AND BASIC DIMENSIONS ESTABLISHED BY CUSTOMER
- 2. PADS AND VIAS ARE CHASSIS GROUND, 11 PLACES
- 3. THRU HOLES, PLATING OPTIONAL

|                              |        |      |            |   |        |             |            |                   |
|------------------------------|--------|------|------------|---|--------|-------------|------------|-------------------|
| TITLE<br>SFP 1X1 CAGE        |        |      |            | <br>东莞多亚电子有限公司<br>DONGGUAN DUOYA ELECTRONICS CO., LTD |        | <br>UNIT:MM | SIZE: A4   |                   |
| PART NO.<br>DH10-2N31Y51-00N |        |      |            |   |        |             |            | GENERAL TOLERANCE |
| DRAW                         | Aaron  | DATE | 2021-03-30 | .X±0.20   | .X±1'  | SCALE: 1:1  | SHEET: 4/6 | REV:A             |
| CHECK                        | Aaron  | DATE | 2021-03-30 | .XX±0.15  | .XX±5' |             |            |                   |
| APPROVE                      | Victor | DATE | 2021-03-30 | .XXX±0.10   |        |             |            |                   |

RoHS COMPLIANT



SECTION A-A

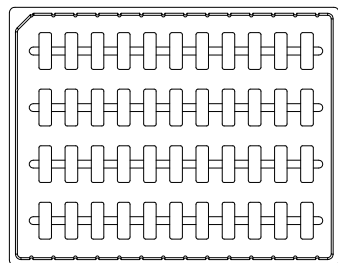
RECOMMENDED BEZEL DESIGN

NOTES:  
 ▲ MINIMUM PITCH ILLUSTRATED, ENGLISH DIMENSIONS ARE FOR REFERENCE ONLY

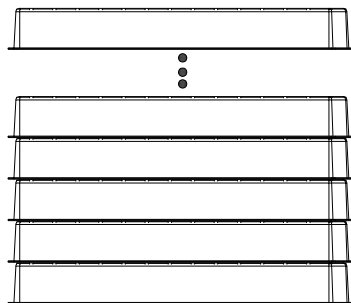
RoHS COMPLIANT

|                              |        |      |            |   |        |                     |
|------------------------------|--------|------|------------|---|--------|---------------------|
| TITLE<br>SFP 1X1 CAGE        |        |      |            | 东莞多亚电子有限公司<br>DONGGUAN DUOYA ELECTRONICS CO., LTD |        | UNIT:MM<br>SIZE: A4 |
| PART NO.<br>DH10-2N31Y51-00N |        |      |            |   |        |                     |
| DRAW                         | Aaron  | DATE | 2021-03-30 | .X±0.20   | .X±1'  | SCALE: 1:1          |
| CHECK                        | Aaron  | DATE | 2021-03-30 | .XX±0.15  | .XX±5' |                     |
| APPROVE                      | Victor | DATE | 2021-03-30 | .XXX±0.10   |        | SHEET: 5/6          |
|                              |        |      |            |   |        | REV:A               |

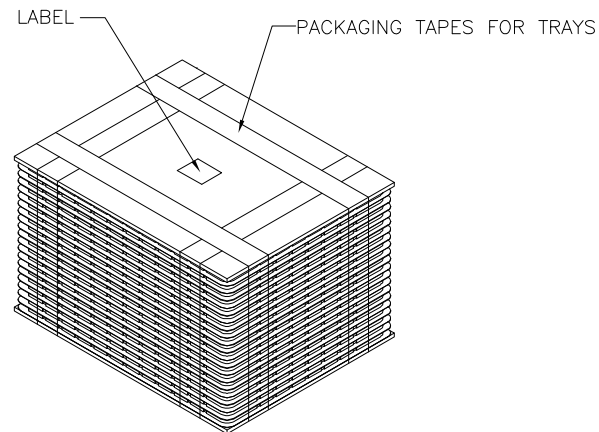
# PACKAGE INFORMATION AND LABEL



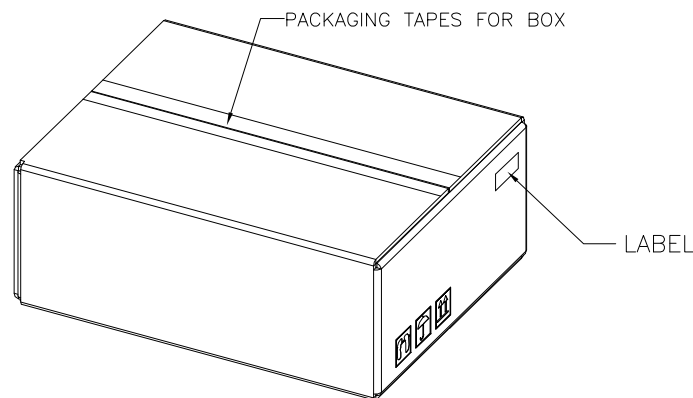
1. PRODUCTS IN TRAYS



2. TRAYS OVERLAY:  
(THE NEXT TRAY NEED ROTATE 180 DEGREE AND PUT IT ON PREVIOUS TRAY.)  
(相邻两个吸塑间水平方向成180度摆放)



3. LABEL & PACKAGING TAPES FOR TRAYS:



4. LABEL & PACKAGING TAPES FOR BOX

| PACKAGING LISTS       |             |
|-----------------------|-------------|
| ITEM                  | Q'TY        |
| PRODUCT               | 352 PCS     |
| TRAY                  | 8 PCS       |
| BOX(L340*W265*H200MM) | 1 PCS       |
| LABLE                 | 2 PCS       |
| PACKAGING TAPES       | 8 M (ABOUT) |

|                              |        |      |            |                   |        |   |            |            |       |
|------------------------------|--------|------|------------|-------------------|--------|---|------------|------------|-------|
| TITLE<br>SFP 1X1 CAGE        |        |      |            | <b>DELEC</b>      |        | 东莞多亚电子有限公司<br>DONGGUAN DUOYA ELECTRONICS CO., LTD |            |            |       |
| PART NO.<br>DH10-2N31Y51-00N |        |      |            | GENERAL TOLERANCE |        |   | UNIT:MM    | SIZE: A4   |       |
| DRAW                         | Aaron  | DATE | 2021-03-30 | .X±0.20           | .X±1'  |   | SCALE: 1:1 | SHEET: 6/6 | REV:A |
| CHECK                        | Aaron  | DATE | 2021-03-30 | .XX±0.15          | .XX±5' |   |            |            |       |
| APPROVE                      | Victor | DATE | 2021-03-30 | .XXX±0.10         |        |   |            |            |       |

RoHS COMPLIANT