

# SPECIFICATION FOR APPROVAL

<b>DELEC</b>		
MARKETING GROUP	R&D GROUP	QA GROUP
ISSUED BY	CHECKED BY	QA INSPECTION
Aaron	Victor	Liu Ting

## CUSTOMER

CUSTOMER APPROVAL:

APPROVAL       CONCESSIONARY       REJECTED

ISSUED BY : \_\_\_\_\_

CHECKED BY: \_\_\_\_\_

APPROVED BY: \_\_\_\_\_

COMMENTS : \_\_\_\_\_  
 \_\_\_\_\_

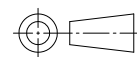
CUSTOMER: \_\_\_\_\_

CUSTOMER PART NO: \_\_\_\_\_

SAMPLE Q'TY: \_\_\_\_\_

SAMPLE DATE: \_\_\_\_\_

RoHS COMPLIANT

TITLE SFP 1X1 CAGE				<b>DELEC</b>		东莞多亚电子有限公司 DONGGUAN DUOYA ELECTRONICS CO., LTD		
PART NO. DH10-1N31Y51-00N				GENERAL TOLERANCE			UNIT:MM	SIZE: A4
DRAW	Aaron	DATE	2021-03-30	.X±0.20	.X±1'	SCALE: 1:1	SHEET: 1/6	REV:A
CHECK	Aaron	DATE	2021-03-30	.XX±0.15	.XX±5'			
APPROVE	Victor	DATE	2021-03-30	.XXX±0.10				

1 2 3 4 5 6 7 8

H  
G  
F  
E  
D  
C  
B  
A

ISSUE RECORD

REV	DESCRIPTION OF CHANGE	REVIEWED BY	APPROVED BY	ISSUE DATE
A	FIRST ISSUE	Aaron	Victor	2021-03-30

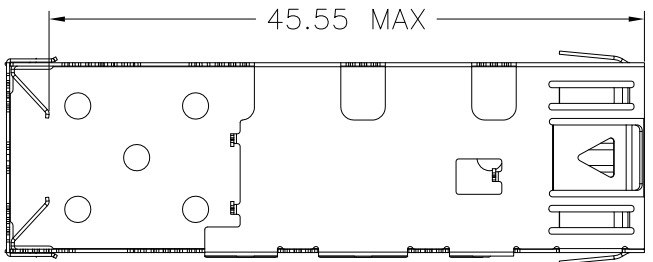
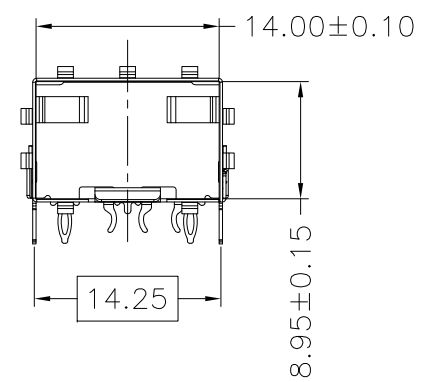
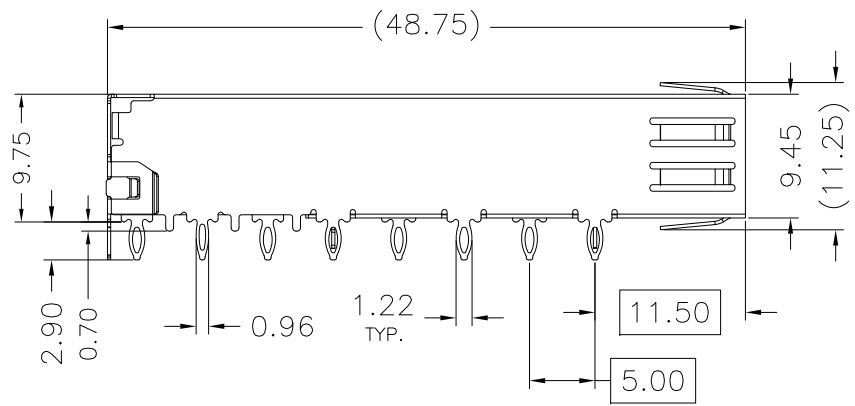
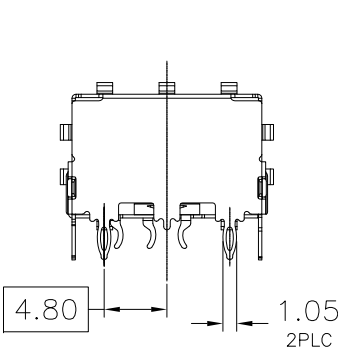
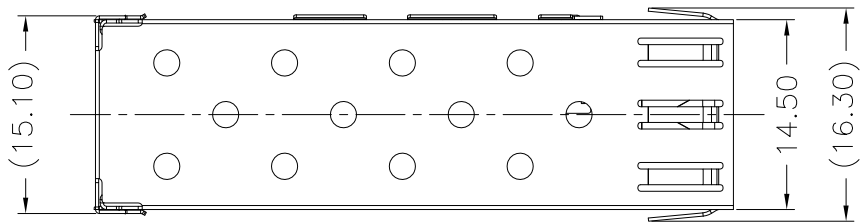
TITLE SFP 1X1 CAGE				<b>DELEC</b>		东莞多亚电子有限公司 DONGGUAN DUOYA ELECTRONICS CO., LTD		
PART NO. DH10-1N31Y51-00N				GENERAL TOLERANCE			UNIT:MM	SIZE: A4
DRAW	Aaron	DATE	2021-03-30	.X±0.20	.X±1'	SCALE: 1:1	SHEET: 2/6	REV:A
CHECK	Aaron	DATE	2021-03-30	.XX±0.15	.XX±5'			
APPROVE	Victor	DATE	2021-03-30	.XXX±0.10				

RoHS COMPLIANT

BY DUOYA CONNECTOR CORPORATION      © COPYRIGHT 2010      PRODUCT DRAWING

1 2 3 4 5 6 7 8

H  
G  
F  
E  
D  
C  
B  
A

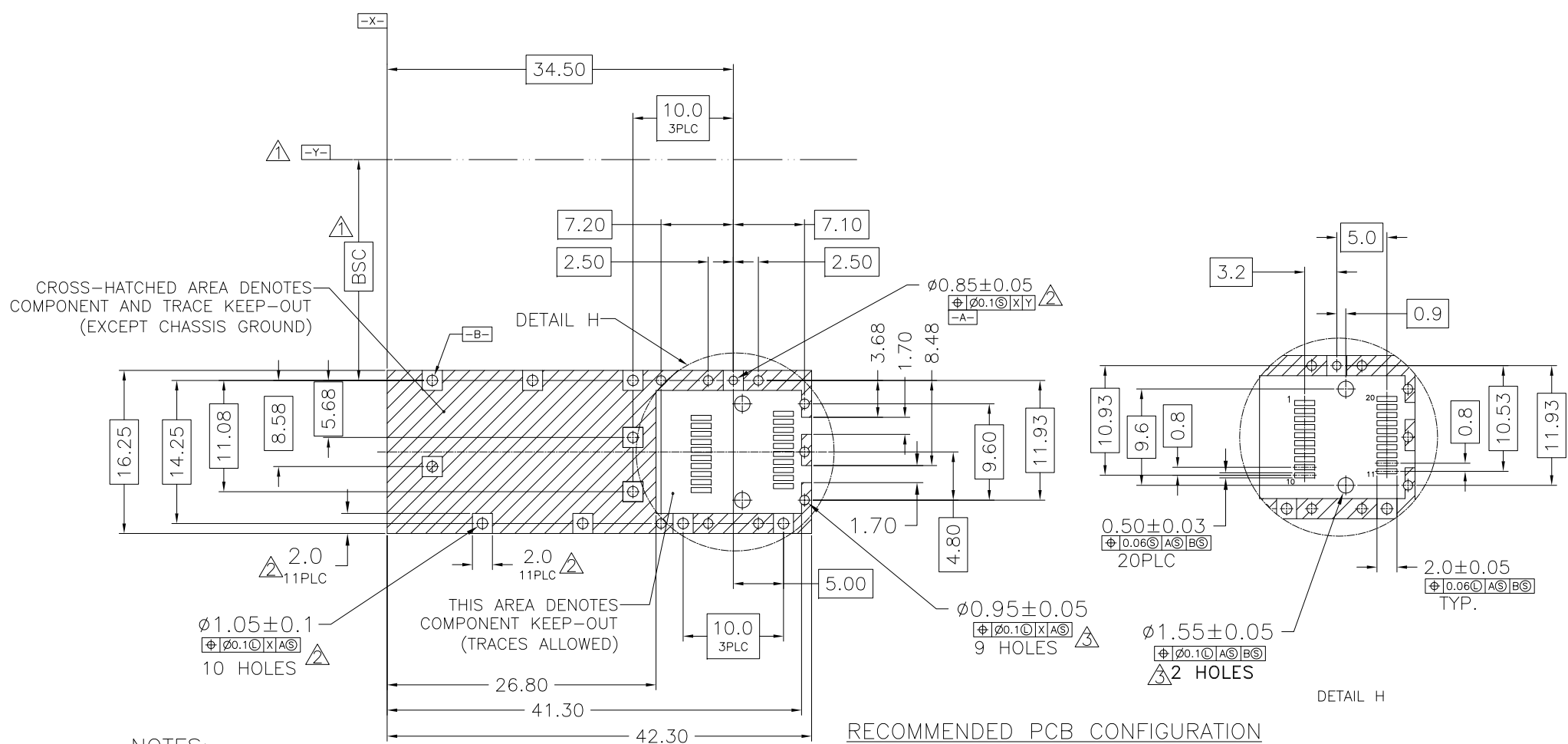


NOTES:

- 1.MATERIAL: COPPER ALLOY, NI-PLATED
- 2.PACKAGING: TRAY PACKAGING
- 3.TEMPERATURE RANGE: -55°C TO +85°C

RoHS COMPLIANT

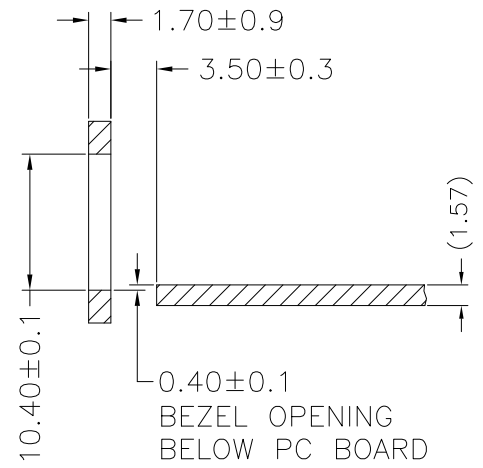
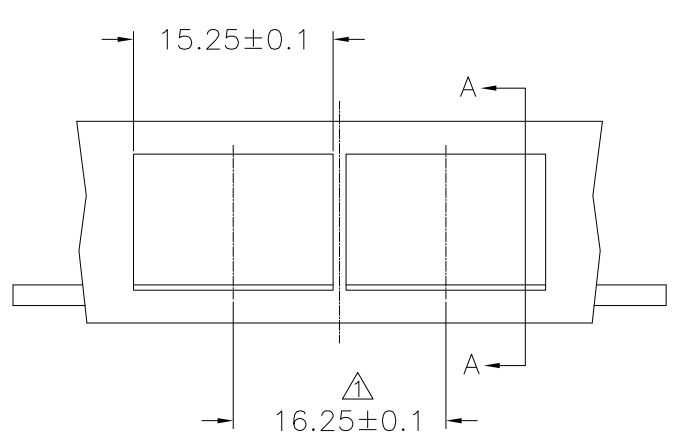
TITLE SFP 1X1 CAGE				<b>DELEC</b>		东莞多亚电子有限公司 DONGGUAN DUOYA ELECTRONICS CO., LTD		
PART NO. DH10-1N31Y51-00N						GENERAL TOLERANCE		
DRAW	Aaron	DATE	2021-03-30	.X±0.20	.X±1'	SCALE: 1:1	SHEET: 3/6	REV:A
CHECK	Aaron	DATE	2021-03-30	.XX±0.15	.XX±5'			
APPROVE	Victor	DATE	2021-03-30	.XXX±0.10				



- NOTES:
- ①. DATUM AND BASIC DIMENSIONS ESTABLISHED BY CUSTOMER
  - ②. PADS AND VIAS ARE CHASSIS GROUND, 11 PLACES
  - ③. THRU HOLES, PLATING OPTIONAL

RoHS COMPLIANT

TITLE SFP 1X1 CAGE				<b>DELEC</b> 东莞多亚电子有限公司 DONGGUAN DUOYA ELECTRONICS CO., LTD			UNIT:MM	SIZE: A4
PART NO. DH10-1N31Y51-00N								
DRAW	Aaron	DATE	2021-03-30	.X±0.20	.X±1'	SCALE: 1:1	SHEET: 4/6	REV:A
CHECK	Aaron	DATE	2021-03-30	.XX±0.15	.XX±5'			
APPROVE	Victor	DATE	2021-03-30	.XXX±0.10				



SECTION A-A

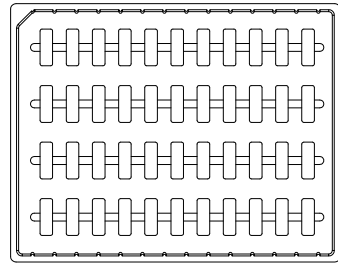
RECOMMENDED BEZEL DESIGN

NOTES:  
 ▲ MINIMUM PITCH ILLUSTRATED, ENGLISH DIMENSIONS ARE FOR REFERENCE ONLY

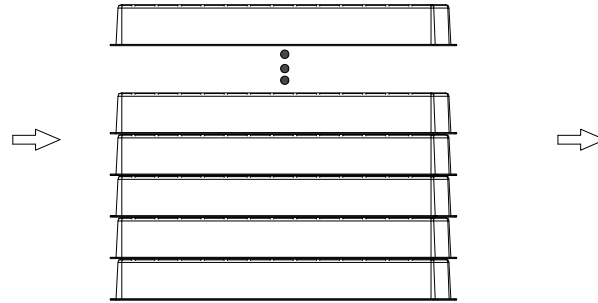
RoHS COMPLIANT

TITLE SFP 1X1 CAGE				<b>DELEC</b>		东莞多亚电子有限公司 DONGGUAN DUOYA ELECTRONICS CO., LTD		
PART NO. DH10-1N31Y51-00N				GENERAL TOLERANCE			UNIT:MM	SIZE: A4
DRAW	Aaron	DATE	2021-03-30	.X±0.20	.X±1'	SCALE: 1:1	SHEET: 5/6	REV:A
CHECK	Aaron	DATE	2021-03-30	.XX±0.15	.XX±5'			
APPROVE	Victor	DATE	2021-03-30	.XXX±0.10				

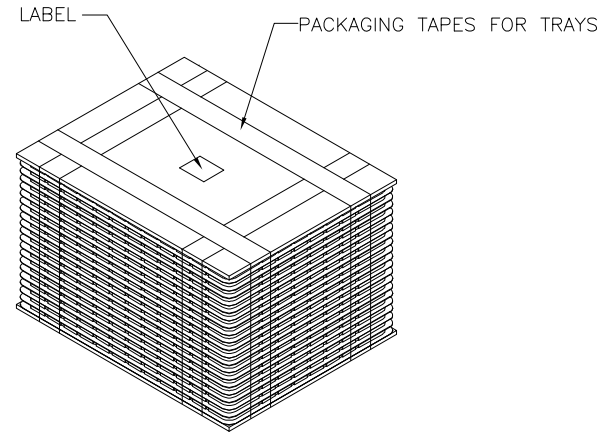
# PACKAGE INFORMATION AND LABEL



1. PRODUCTS IN TRAYS

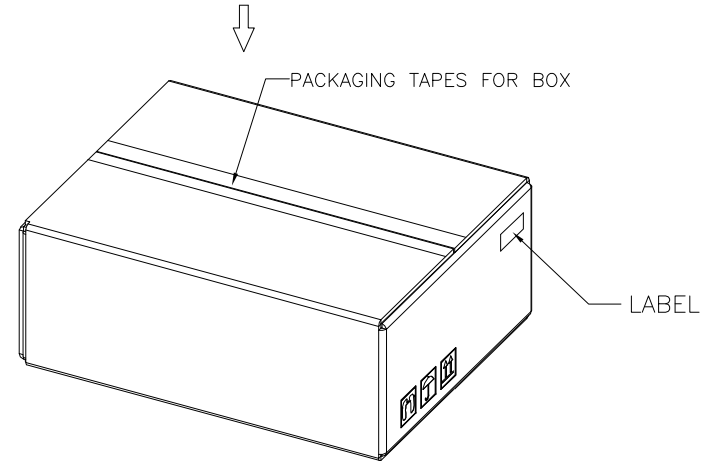


2. TRAYS OVERLAY:  
(THE NEXT TRAY NEED ROTATE 180 DEGREE AND PUT IT ON PREVIOUS TRAY.)  
(相邻两个吸塑间水平方向成180度摆放)



3. LABEL & PACKAGING TAPES FOR TRAYS:

PACKAGING LISTS	
ITEM	Q'TY
PRODUCT	352 PCS
TRAY	8 PCS
BOX(L340*W265*H200MM)	1 PCS
LABLE	2 PCS
PACKAGING TAPES	8 M (ABOUT)



4. LABEL & PACKAGING TAPES FOR BOX

TITLE SFP 1X1 CAGE				<b>DELEC</b>		东莞多亚电子有限公司 DONGGUAN DUOYA ELECTRONICS CO., LTD			
PART NO. DH10-1N31Y51-00N				GENERAL TOLERANCE			UNIT:MM	SIZE: A4	
DRAW	Aaron	DATE	2021-03-30	.X±0.20	.X±1'		SCALE: 1:1	SHEET: 6/6	REV:A
CHECK	Aaron	DATE	2021-03-30	.XX±0.15	.XX±5'				
APPROVE	Victor	DATE	2021-03-30	.XXX±0.10					

RoHS COMPLIANT