

# SPECIFICATION FOR APPROVAL

<b>DELEC</b>		
MARKETING GROUP	R&D GROUP	QA GROUP
ISSUED BY	CHECKED BY	QA INSPECTION
Iror	Victor	XuLong

## CUSTOMER

CUSTOMER APPROVAL:

APPROVAL       CONCESSIONARY       REJECTED

ISSUED BY : \_\_\_\_\_

CHECKED BY: \_\_\_\_\_

APPROVED BY: \_\_\_\_\_

COMMENTS : \_\_\_\_\_  
 \_\_\_\_\_

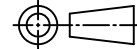
CUSTOMER: \_\_\_\_\_

CUSTOMER PART NO: \_\_\_\_\_

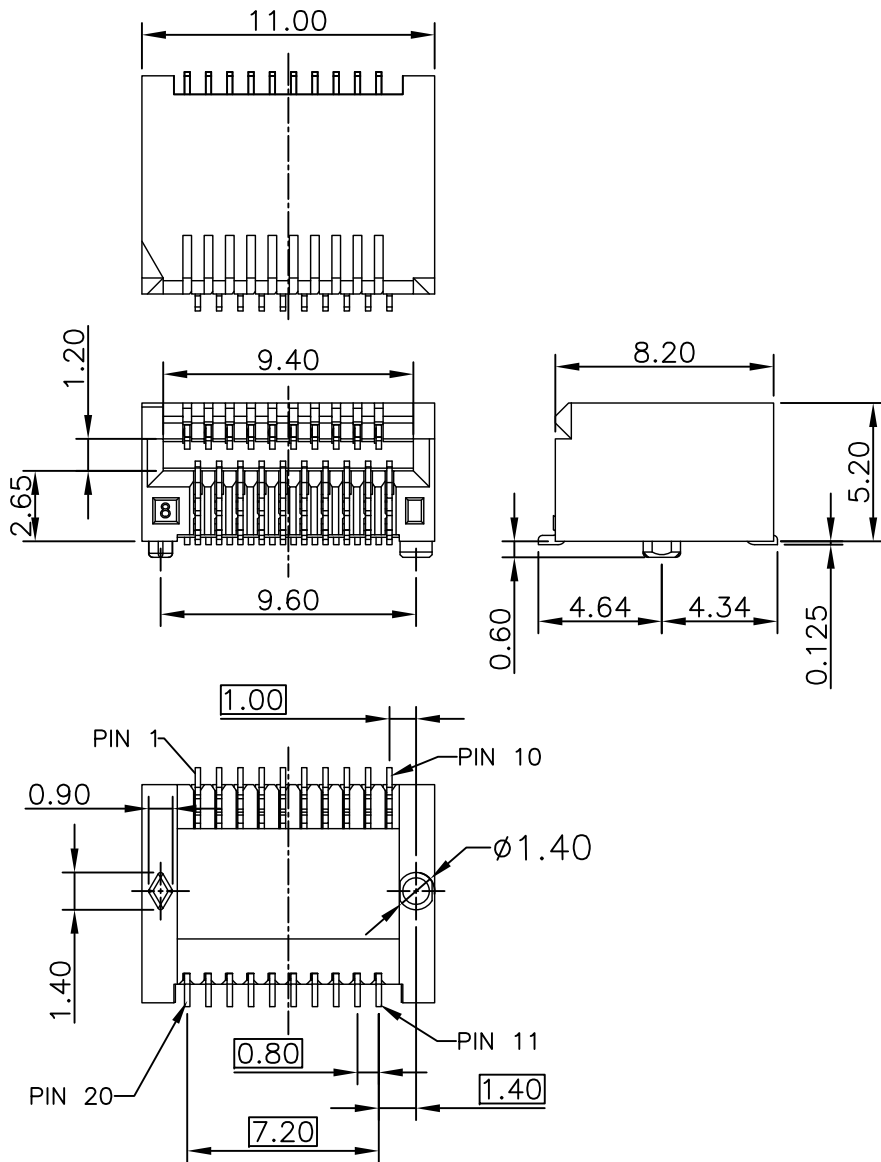
SAMPLE Q'TY: \_\_\_\_\_

SAMPLE DATE: \_\_\_\_\_

**RoHS COMPLIANT**

TITLE SFP&SFP+ 1X1 CONNECTOR				<b>DELEC</b>		东莞多亚电子有限公司 DONGGUAN DUOYA ELECTRONICS CO., LTD		
PART NO. DH10-2C2100D-00B				GENERAL TOLERANCE			UNIT:MM	SIZE: A4
DRAW	Iror	DATE	2018-05-25	.X±0.20	.X±1'	SCALE: 1:1	SHEET:1/6	REV:A
CHECK	Iror	DATE	2018-05-25	.XX±0.15	.XX±5'			
APPROVE	Victor	DATE	2018-05-25	.XXX±0.10				





NOTES:

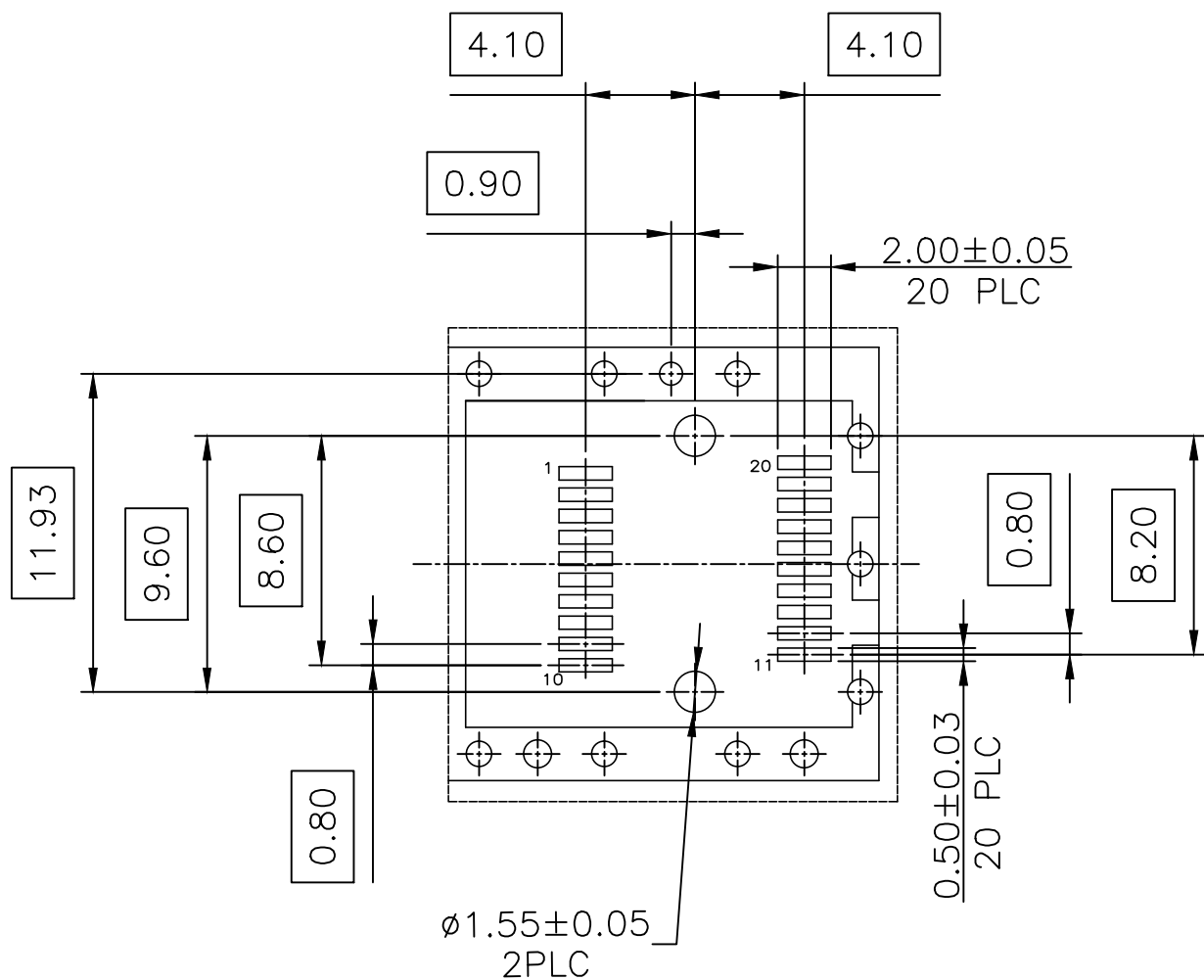
1. MATERIAL  
HOUSING: HIGH TEMPERATURE LCP, Black, UL94 V-0.
2. CONTACTS: PHOSPHOR BRONZE  
PLATING :15 $\mu$ " GOLD ON MATING AREA,  
100 $\mu$ " MATTE TIN PLATING ON  
SOLDER TAILS, 50 $\mu$ " NICKEL  
UNDERPLATING OVERALL.
3. MECHANICAL REQUIREMENT:  
3.1 DURABILITY:100 CYCLES NIN.  
3.2 INSERTION AND EXTRACTION FORCE:40N MAX. & 11.5N MAX.
4. ENVIRONMENTAL:  
4.1 CONTACT RESISTANCE:20 MILLIOHMS MAX INITIAL.  
4.2 DIELECTRIC WITHSTANDING VOLTAGE: 300V AC/MIN.  
4.3 CURRENT RATING: 0.5 Amps Max.  
4.4 OPERATION: -40°C TO +85°C  
4.5 STORAGE: -55°C TO +105°C  
4.6 REFLOW SOLDERING TEMPERATURE: 255~265° MAXLIMUM  
FOR 5~10 SECONDS.
5. PACKAGING: TAPE AND REEL

RoHS COMPLIANT

TITLE SFP&SFP+ 1X1 CONNECTOR				<b>DELEC</b>		东莞多亚电子有限公司 DONGGUAN DUOYA ELECTRONICS CO., LTD		
PART NO. DH10-2C2100D-00B				GENERAL TOLERANCE			UNIT:MM	SIZE: A4
DRAW	Iror	DATE	2018-05-25	.X±0.20	.X±1'	SCALE: 1:1	SHEET:3/6	REV:A
CHECK	Iror	DATE	2018-05-25	.XX±0.15	.XX±5'			
APPROVE	Victor	DATE	2018-05-25	.XXX±0.10				

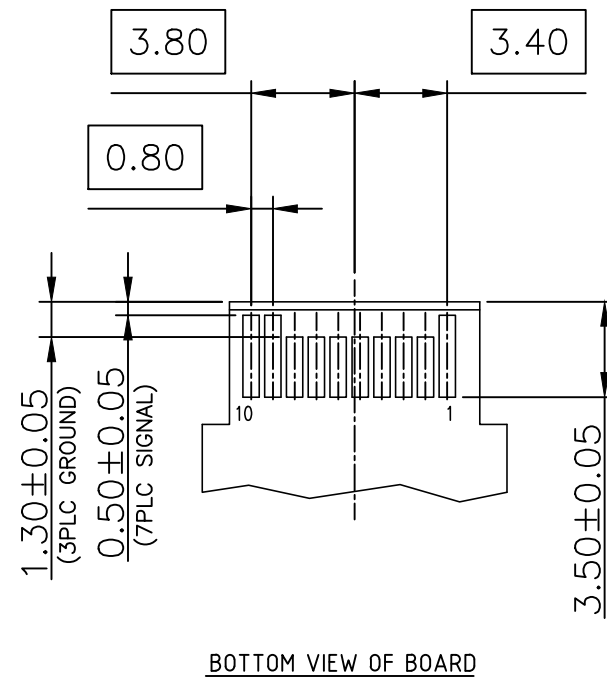
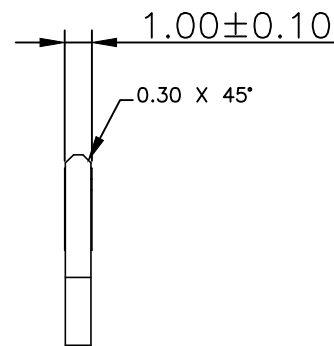
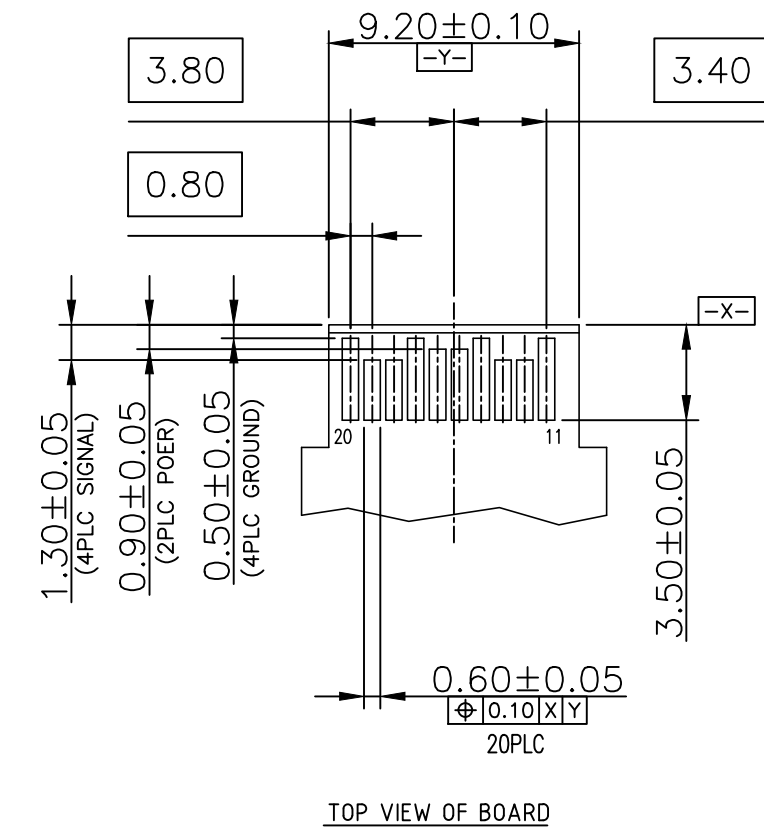
1 2 3 4 5 6 7 8

H  
G  
F  
E  
D  
C  
B  
A



TITLE				<b>DELEC</b>		东莞多亚电子有限公司		
SFP&SFP+ 1X1 CONNECTOR						DONGGUAN DUOYA ELECTRONICS CO., LTD		
PART NO.				GENERAL TOLERANCE			UNIT:MM	SIZE: A4
DH10-2C2100D-00B							SCALE: 1:1	SHEET:4/6
DRAW	lror	DATE	2018-05-25	.X±0.20	.X±1'			REV:A
CHECK	lror	DATE	2018-05-25	.XX±0.15	.XX±5'			
APPROVE	Victor	DATE	2018-05-25	.XXX±0.10				

RoHS COMPLIANT

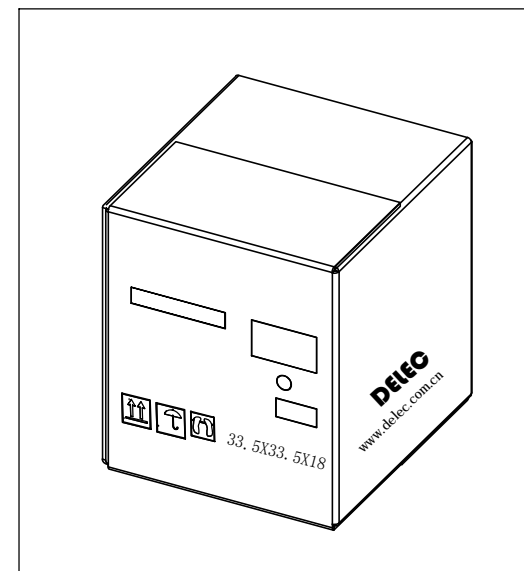
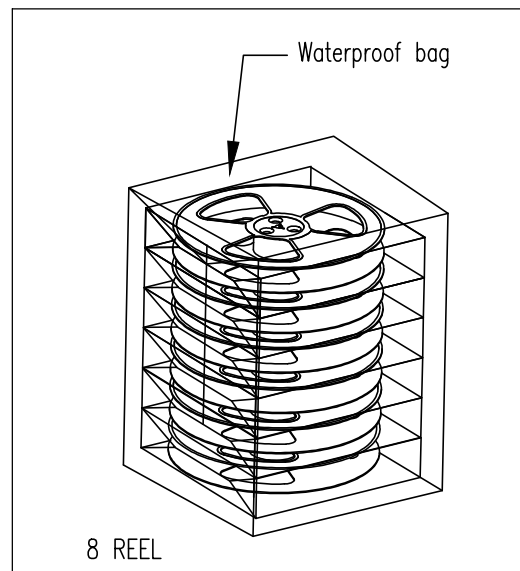
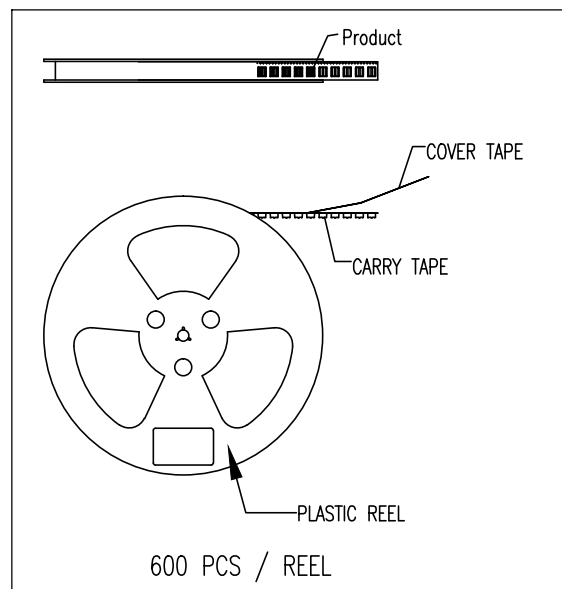


RECOMMENDED LAYOUT DETAIL MATING TRANSCEIVER PCB

RoHS COMPLIANT

TITLE SFP&SFP+ 1X1 CONNECTOR				<b>DELEC</b>		东莞多亚电子有限公司 DONGGUAN DUOYA ELECTRONICS CO., LTD		
PART NO. DH10-2C2100D-00B				GENERAL TOLERANCE			UNIT:MM	SIZE: A4
DRAW	lror	DATE	2018-05-25	.X±0.20	.X±1°	SCALE: 1:1	SHEET:5/6	REV:A
CHECK	lror	DATE	2018-05-25	.XX±0.15	.XX±5°			
APPROVE	Victor	DATE	2018-05-25	.XXX±0.10				

# PACKAGE INFORMATION AND LABEL



PACKING QUANTITY : 600 PCS FINISHED GOODS PER REEL.

8 REEL (4800 PCS FINISHED GOODS) PER CARTON BOX.

TITLE SFP&SFP+ 1X1 CONNECTOR				<b>DELEC</b>		东莞多亚电子有限公司 DONGGUAN DUOYA ELECTRONICS CO., LTD		
PART NO. DH10-2C2100D-00B				GENERAL TOLERANCE			UNIT:MM	SIZE: A4
DRAW	Iror	DATE	2018-05-25	.X±0.20	.X±1'	SCALE: 1:1	SHEET: 6/6	REV:A
CHECK	Iror	DATE	2018-05-25	.XX±0.15	.XX±5'			
APPROVE	Victor	DATE	2018-05-25	.XXX±0.10				

RoHS COMPLIANT