



Smart Battery



USB 3.0



CFast

MicroBox-7824B E-Series

ThinManager Ready Industrial Thin Clients

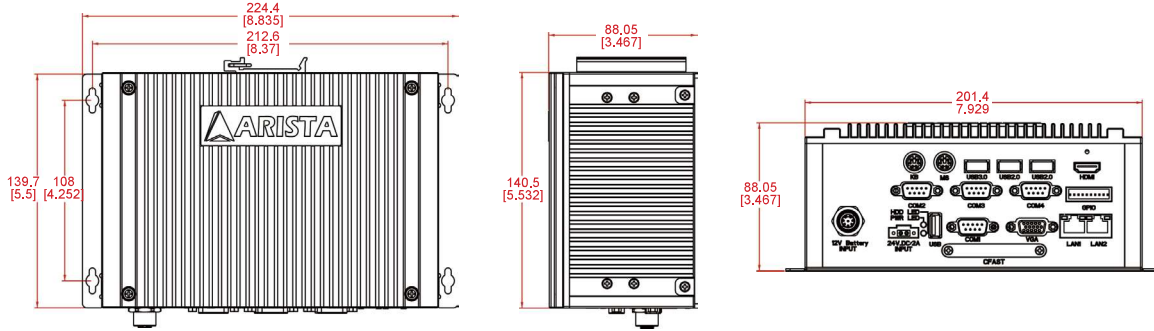


THINMANAGER

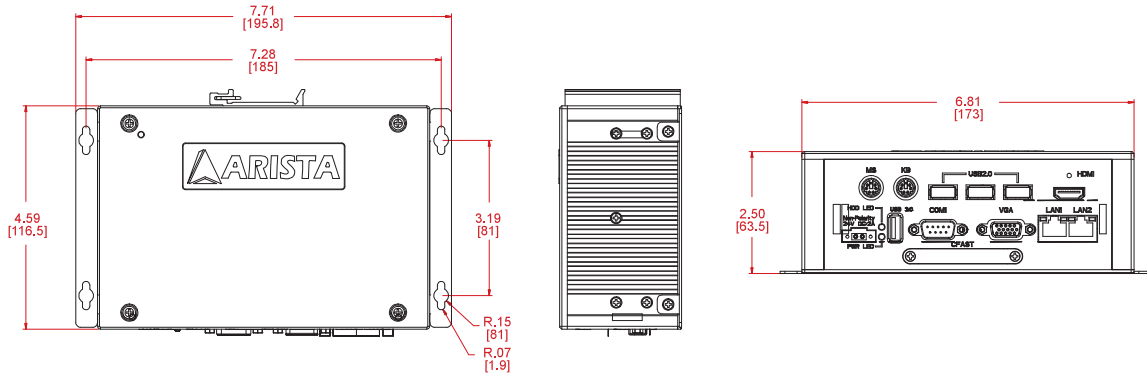
Specifications	MicroBox-7824B-E01	MicroBox-7824B-E02
System		
CPU	Intel E3845 1.91GHz ATOM CPU	Intel E3845 1.91GHz ATOM CPU
Chipset	(By CPU)	(By CPU)
Memory	4GB DDR3 SO-DIMM	4GB DDR3 SO-DIMM
Video Controller	Intel Gen7 Intel Graphics DX 11, OGL3.2	Intel Gen7 Intel Graphics DX 11, OGL3.2
Video Interface	VGA, HDMI	VGA, HDMI
Storage Option	CFast card	CFast card
Compact Flash	N/A	N/A
Keyboard/Mouse	USB / PS2	USB / PS2
Audio	N/A	N/A
Watchdog Timer	YES	YES
Remote Boot	ACP, PXE	ACP, PXE
I/O Communication		
USB Port	1 x USB 3.0, 3 x USB 2.0	1 x USB 3.0, 3 x USB 2.0
Serial Port	1 x RS-232/422/485, 3x RS-232	1 x RS-232/422/485
LAN	2 x Gigabit	2 x Gigabit
Parallel	N/A	N/A
GPIO	4 x DI, 4 x DO	N/A
ThinManager Support		
ThinManager Support	ThinManager 6 & Up	ThinManager 6 & Up
Power / Thermal Specs		
Power Requirement (Max)	24VDC / 0.7A	24VDC / 0.7A
Power Consumption (Max)	17 W	17 W
Recommended Power Supply	24 W	24 W
Heat Dissipation	58 BTU/hr	58 BTU/hr
Physical Information		
Mounting	Wall Mount, DIN-Rail Mount	Wall Mount, DIN-Rail Mount
Net Weight	5.1 Lbs / 2.3Kg	
Physical Dimension (WxHxD)	8.84 x 3.16 x 5.50 inch 224.4 x 139.7 x 80.2 mm	7.71 x 2.50 x 4.59 inch 195.8 x 63.5 x 116.5 mm
Recommended cutout Dimension (WxH)	N/A	N/A
Environmental		
Operating Temperature	0~50°C (32~122°F)	0~50°C (32~122°F)
Storage Temperature	-20~60°C (-4~140°F)	-20~60°C (-4~140°F)
Relative Humidity	0~95%	0~95%
IP/NEMA Rating	meets IP50	meets IP50
Certification	FCC, CE, UL 508	

Ordering Information		
	MicroBox-7824B-E01-003	MicroBox-7824B-E01-003-DR
CPU	E3845 ATOM CPU	E3845 ATOM CPU
Memory	4GB DDR3	4GB DDR3
Storage	N/A	N/A
Remote Boot	ACP Enable	ACP Enable
Power Supply	110/220VAC Input	110/220VAC Input DIN-Rail
	MicroBox-7824B-E01-P03	MicroBox-7824B-E01-P03-DR
CPU	N2800 ATOM CPU	N2800 ATOM CPU
Memory	4GB DDR3	4GB DDR3
Storage	N/A	N/A
Remote Boot	PXE	PXE
Power Supply	110/220VAC Input	110/220VAC Input DIN-Rail
	MicroBox-7824B-E02-003	MicroBox-7824B-E02-003-DR
CPU	E3845 ATOM CPU	E3845 ATOM CPU
Memory	4GB DDR3	4GB DDR3
Storage	N/A	N/A
Remote Boot	ACP Enable	ACP Enable
Power Supply	110/220VAC Input	110/220VAC Input DIN-Rail
	MicroBox-7824B-E02-P03	MicroBox-7824B-E02-P03-DR
CPU	E3845 ATOM CPU	E3845 ATOM CPU
Memory	4GB DDR3	4GB DDR3
Storage	N/A	N/A
Remote Boot	PXE	PXE
Power Supply	110/220VAC Input	110/220VAC Input DIN-Rail

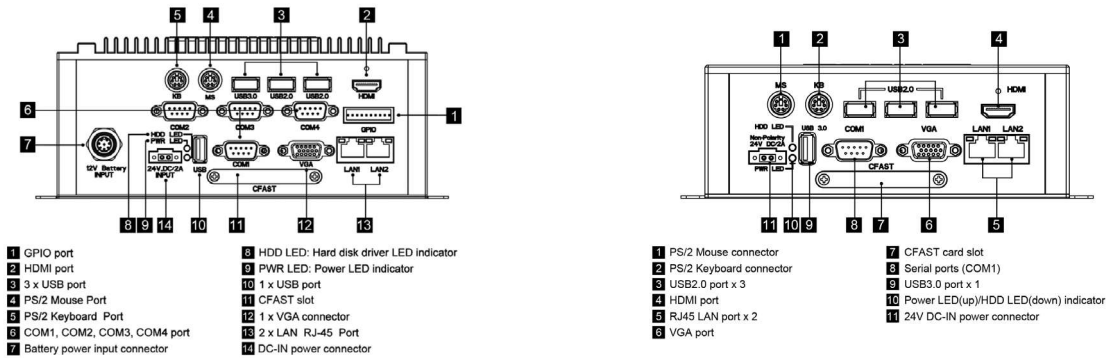
MicroBox-7824B-E01



MicroBox-7824B-E02



I/O Connections



MicroBox-7824B-E01

MicroBox-7824B-E02