



KDFXNJ系列箱内吸油过滤器

KDFXNJ TANK MOUNTED SUCTION FILTER SERIES

(一) 简介

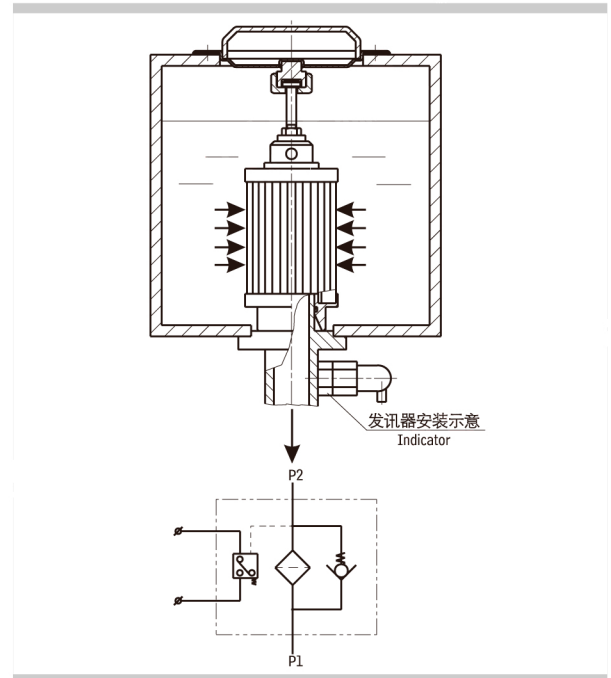
KDFXNJ 系列箱内吸油过滤器具有以下特点：a. 安装连接方便：本系列吸油过滤器通过安装法兰固定在油箱的盖板上，滤芯直接插入油箱，从而简化了系统的管路，节省空间，使系统布置更为紧凑。b. 清洗或更换滤芯时，只要拧开安装法兰上的螺钉、拉起安装法兰，即可清洗或更换。c. 带有滤芯堵塞发讯装置：当滤芯被污染物堵塞到真空压力为-0.018 MPa时，发讯器发出开关信号（用户外接电信号），这时应及时更换或清洗滤芯，以免油泵出现吸空等故障。d. 带有旁通阀：当滤芯被污染物堵塞到真空压力为-0.018MPa时，此时如不能马上停机清洗或更换滤芯，装在滤芯上端的旁通阀会自动开启（开启压力为-0.02MPa），以保护油泵正常工作。

用户选用XNJ系列过滤器时，务必要安装真空压力发讯器。当滤芯被污染物堵塞到真空压力为-0.018MPa时，应及时清洗或更换滤芯。

INTRODUCTION

The KDFXNJ series filters can be installed on the top of the tank and the element is immersed in the oil, so it is easy for installation. During maintenance, you only need to turn off the screws of the connecting flange.

And pull-out the connecting flange, the element can be changed or cleaned. A vacuum indicator in the filter gives signals when the pressure drop across the element reaches -0.018MPa showing that the filter element should be cleaned or changed. If no maintenance is done, as the pressure drop rises to 0.02MPa, the by pass valve in this filter will open allowing oil flowing into pump directly, so when you select this series suction filter, a vacuum indicator should be necessary for the element clogged by contaminants, you can clean or change it immediately.



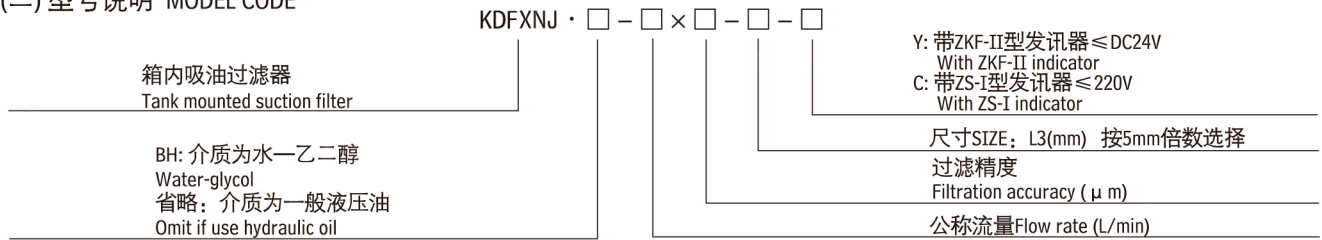
序号 Number	名称 Name	说明 Note
1	滤盖组件 Cap Components	
2	密封垫 Seal	易损件 Wearing Parts
3	O形密封圈 O-ring	易损件 Wearing Parts
4	滤芯 Element	易损件 Wearing Parts



常州柯登机械设备制造有限公司

Changzhou Kedeng Machinery Equipment Manufacture Co., Ltd

(二) 型号说明 MODEL CODE



(三) 技术参数 TECHNICAL DATA

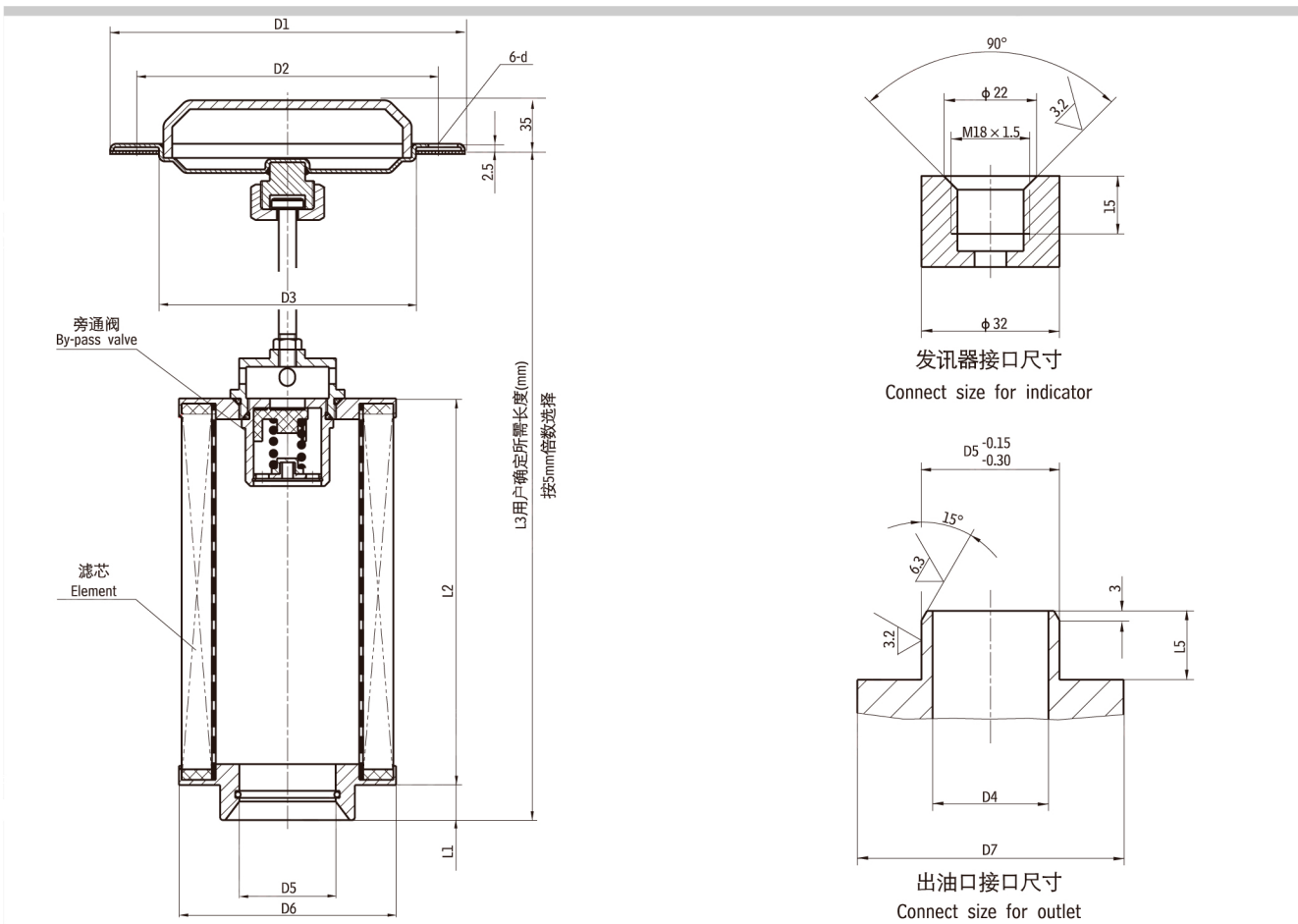
型号 Model	公称流量 Flow rate (L/min)	过滤精度 Filtr. (μm)	通 径 Dia. (mm)	原始压力损失 Initial ΔP (MPa)	发讯装置 Indicator		旁通阀开启压力 By-pass valve setting (MPa)	重 量 Weight (Kg)	滤芯型号 Model of element	
					(V)	(A)				
KDFXNJ - 25 × * ^C _Y	25	80	20	≤0.007	12	2.5	-0.02	0.7	JX - 25 × *	
KDFXNJ - 40 × * ^C _Y	40		32						1.4	JX - 40 × *
KDFXNJ - 63 × * ^C _Y	63									1.9
KDFXNJ - 100 × * ^C _Y	100		2.1						JX - 100 × *	
KDFXNJ - 160 × * ^C _Y	160	2.9			JX - 160 × *					
KDFXNJ - 250 × * ^C _Y	250		80		4.5	JX - 250 × *				
KDFXNJ - 400 × * ^C _Y	400	90				6.6		JX - 400 × *		
KDFXNJ - 630 × * ^C _Y	630		6.9		JX - 630 × *					
KDFXNJ - 800 × * ^C _Y	800	JX - 800 × *								
KDFXNJ - 1000 × * ^C _Y	1000	JX - 1000 × *								

注: *为过滤精度, 若使用介质为水—乙二醇, 公称流量160L/min, 过滤精度80 μm, 带ZS-I型发讯器, 则过滤器型号为KDFXNJ · BH-160 × 80 - C, 滤芯型号为JX · BH-160 × 80。

Note: *is filtration accuracy, If the medium is water-glycol, flow rate is 160L/min, filtration accuracy is 80 μm, with ZS-I indicator, the model of this filter is KDFXNJ · BH-160 × 80-C, the model of element is JX · BH-160 × 80.

(四) 安装外形尺寸 MOUNTING SIZE

(五) 用户加工尺寸 MANUFACTURE SIZE FOR CUSTOMER





常州柯登机械设备制造有限公司

Changzhou Kedeng Machinery Equipment Manufacture Co., Ltd

单位Unit:mm

型号 Model	D1	D2	D3	D5	D6	D7	L1	L2	L3 最小Min.	L5	d
KDFXNJ-25 × * C Y	φ 129	φ 105	φ 85	φ 25	φ 80	φ 46	8	75	210	20	φ 9
KDFXNJ-40 × * C Y								100	235		
KDFXNJ-63 × * C Y	φ 154	φ 130	φ 110	φ 40	φ 106	φ 56		110	250		
KDFXNJ-100 × * C Y								140	280		
KDFXNJ-160 × * C Y	φ 200	φ 170	φ 145	φ 55	φ 141	φ 76	14	140	320	26	φ 11
KDFXNJ-250 × * C Y								160	340		
KDFXNJ-400 × * C Y	φ 242	φ 210	φ 185	φ 85	φ 180	φ 108		160	340	28	φ 13.5
KDFXNJ-630 × * C Y								190	370		
KDFXNJ-800 × * C Y	φ 262	φ 230	φ 205	φ 100	φ 200	φ 127		190	395		
KDFXNJ-1000 × * C Y								220	425		