

## 1. Description

JR3N105, the silicon N-channel Enhanced MOSFETs, is obtained by advanced MOSFET technology which reduce the conduction loss, improve switching performance and enhance the avalanche energy. The transistor is suitable device for SMPS, high speed switching and general purpose applications.

### KEY CHARACTERISTICS

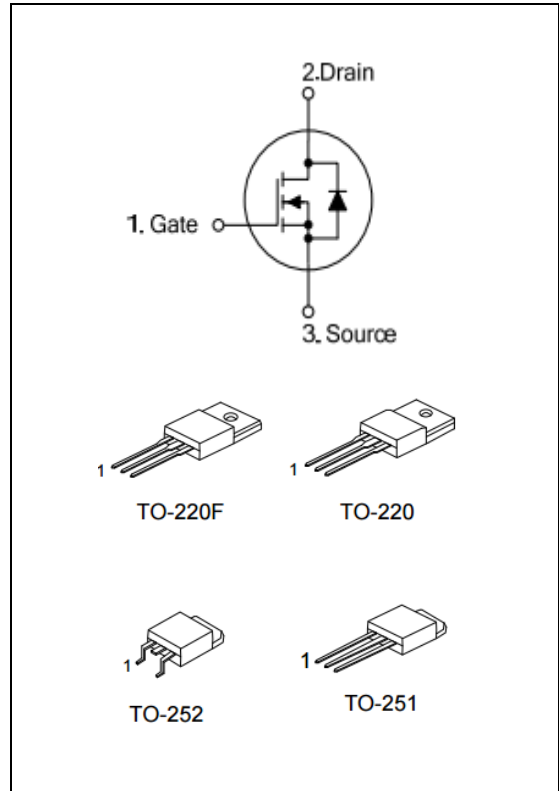
Parameter	Value	Unit
$V_{DS@Tj,max}$	1050	V
$I_D$	3.2	A
$R_{DS(ON).Typ}$	4.0	$\Omega$

### FEATURES

- Fast Switching
- 100% avalanche tested
- Improved dv/dt capability
- RoHS product

### APPLICATIONS

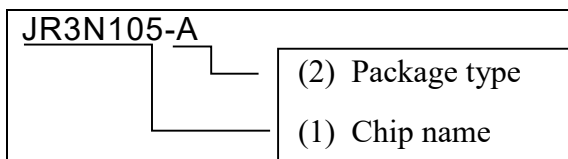
- High frequency switching mode power supply



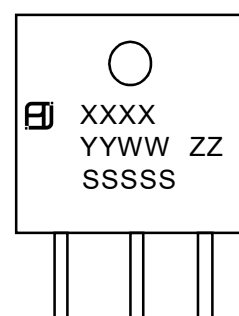
## ORDERING INFORMATION

Ordering Codes	Package	Product Code	Packing
JR3N105-P	TO-220	JR3N105	Tube
JR3N105-A	TO-220F		Tube
JR3N105-U	TO-251		Tube
JR3N105-D	TO-252		Tape Reel

**JR3N105-A**



(1) JR3N105:1050V 3.2A  
(2) A:TO-220F P:TO-220  
U:TO-251 D: TO-252



XXXX: Product Code  
YYWW: Year&Week  
ZZ: Assembly Code  
SSSSS: Lot Code

## 2. ABSOLUTE RATINGS

at  $T_C = 25^\circ\text{C}$ , unless otherwise specified

Symbol	Parameter	Rating	Units
$V_{DSS}$	Drain-to-Source Voltage	1050	V
$I_D$	Continuous Drain Current	3.2	A
	Continuous Drain Current $T_C = 100^\circ\text{C}$	2.0	A
$I_{DM}$	Pulsed Drain Current(Note1)	12.8	A
$V_{GS}$	Gate-to-Source Voltage	$\pm 30$	V
$E_{AS}$	Single Pulse Avalanche Energy(Note2)	220	mJ
dv/dt	Peak Diode Recovery dv/dt(Note3)	4.5	V/ns
$P_D$	Power Dissipation TO-220	138	W
	Derating Factor above $25^\circ\text{C}$	1.11	W/ $^\circ\text{C}$
$P_D$	Power Dissipation TO-220F	47	W
	Derating Factor above $25^\circ\text{C}$	0.38	W/ $^\circ\text{C}$
$P_D$	Power Dissipation TO-251 TO-252	56	W
	Derating Factor above $25^\circ\text{C}$	0.45	W/ $^\circ\text{C}$
$T_J, T_{stg}$	Operating Junction and Storage Temperature Range	150, $-55$ to 150	$^\circ\text{C}$
$T_L$	Maximum Temperature for Soldering	300	$^\circ\text{C}$

## 3. Thermal characteristics

### Thermal characteristics TO-220

Symbol	Parameter	RATINGS	Units
$R_{\theta JC}$	Junction-to-Case	0.9	$^\circ\text{C}/\text{W}$
$R_{\theta JA}$	Junction-to-Ambient	62.5	$^\circ\text{C}/\text{W}$

### Thermal characteristics TO-220F

Symbol	Parameter	RATINGS	Units
$R_{\theta JC}$	Junction-to-Case	2.66	$^\circ\text{C}/\text{W}$
$R_{\theta JA}$	Junction-to-Ambient	62.5	$^\circ\text{C}/\text{W}$

### Thermal characteristics TO-251/252

Symbol	Parameter	RATINGS	Units
$R_{\theta JC}$	Junction-to-Case	2.23	$^\circ\text{C}/\text{W}$
$R_{\theta JA}$	Junction-to-Ambient	100	$^\circ\text{C}/\text{W}$

## 4. Electrical Characteristics

at  $T_c = 25^\circ\text{C}$ , unless otherwise specified

OFF Characteristics						
Symbol	Parameter	Test Conditions	Values			Units
			Min.	Typ.	Max.	
$V_{DSS}$	Drain to Source Breakdown Voltage	$V_{GS}=0V$ , $I_D=250\mu A$	1050	--	--	V
$\frac{\Delta BV_{DSS}}{\Delta T_J}$	Bvdss Temperature Coefficient	$I_D=250\mu A$ , Reference $25^\circ\text{C}$	--	1.1	--	$V/^\circ\text{C}$
$I_{DSS}$	Drain to Source Leakage Current	$V_{DS} = 1050V$ , $V_{GS} = 0V$ , $T_j = 25^\circ\text{C}$	--	--	10	$\mu A$
		$V_{DS} = 840V$ , $V_{GS} = 0V$ , $T_j = 125^\circ\text{C}$	--	--	100	$\mu A$
$I_{GSS(F)}$	Gate to Source Forward Leakage	$V_{GS} = +30V$	--	--	100	nA
$I_{GSS(R)}$	Gate to Source Reverse Leakage	$V_{GS} = -30V$	--	--	-100	nA

ON Characteristics						
Symbol	Parameter	Test Conditions	Values			Units
			Min.	Typ.	Max.	
$R_{DS(ON)}$	Drain-to-Source On-Resistance	$V_{GS}=10V$ , $I_D=1.5A(\text{Note4})$	--	4.0	4.8	$\Omega$
$V_{GS(TH)}$	Gate Threshold Voltage	$V_{DS} = V_{GS}$ , $I_D = 250\mu A(\text{Note4})$	3.0	--	4.5	V

Dynamic Characteristics						
Symbol	Parameter	Test Conditions	Values			Units
			Min.	Typ.	Max.	
$R_g$	Gate resistance	$f = 1.0\text{MHz}$	--	2.5	--	$\Omega$
$C_{iss}$	Input Capacitance	$V_{GS} = 0V$ $V_{DS} = 25V$ $f = 1.0\text{MHz}$	--	980	--	PF
$C_{oss}$	Output Capacitance		--	68	--	
$C_{rss}$	Reverse Transfer Capacitance		--	2	--	

Switching Characteristics						
Symbol	Parameter	Test Conditions	Values			Units
			Min.	Typ.	Max.	
$t_{d(ON)}$	Turn-on Delay Time	ID = 3.2A VDD = 500V VGS = 10V RG = 20Ω	--	35	--	ns
$t_r$	Rise Time		--	30	--	
$t_{d(OFF)}$	Turn-Off Delay Time		--	55	--	
$t_f$	Fall Time		--	30	--	
$Q_g$	Total Gate Charge	ID = 3.2A VDD = 840V VGS = 10V	--	22	--	nC
$Q_{gs}$	Gate to Source Charge		--	6	--	
$Q_{gd}$	Gate to Drain ("Miller") Charge		--	8	--	

Source-Drain Diode Characteristics						
Symbol	Parameter	Test Conditions	Values			Units
			Min.	Typ.	Max.	
$I_S$	Continuous Source Current (Body Diode)	TC=25 °C	--	--	3.2	A
$I_{SM}$	Maximum Pulsed Current (Body Diode)		--	--	12.8	A
$V_{SD}$	Diode Forward Voltage	IS=3.2A, VGS=0V(Note4)	--	--	1.2	V
$T_{rr}$	Reverse Recovery Time	IS=3.2A, Tj = 25°C dIF/dt=100A/us, VGS=0V	--	430	--	ns
$Q_{rr}$	Reverse Recovery Charge		--	2537	--	nC
$I_{rrm}$	Reverse Recovery Current		--	11.8	--	A

Note1: Pulse width limited by maximum junction temperature

Note2: L=67mH, VD<sub>s</sub>=50V, Start T<sub>J</sub>=25°C

Note3: ISD =3.2A, di/dt ≤100A/us, VDD≤BVDS, Start T<sub>J</sub>=25°C

Note4: Pulse width tp≤300μs, δ≤2%

## 5. Characteristics Curves

Figure 1a Safe Operating Area (TO-220)

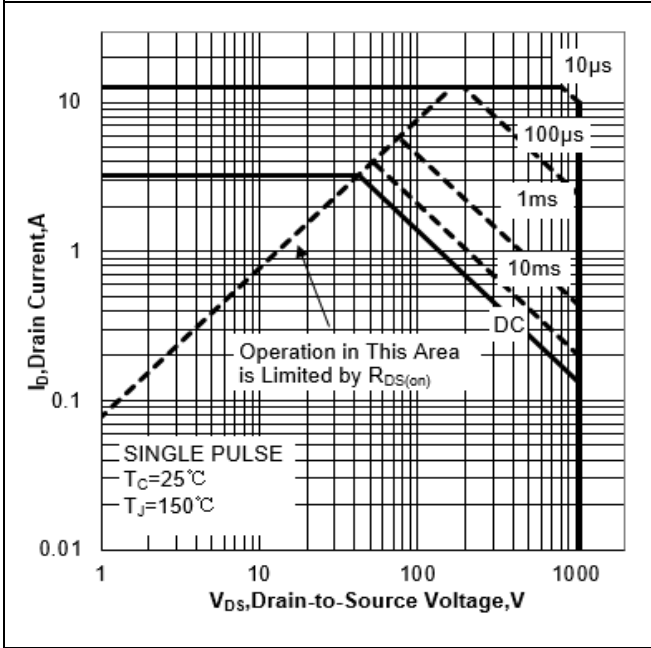


Figure 1b Safe Operating Area (TO-220F)

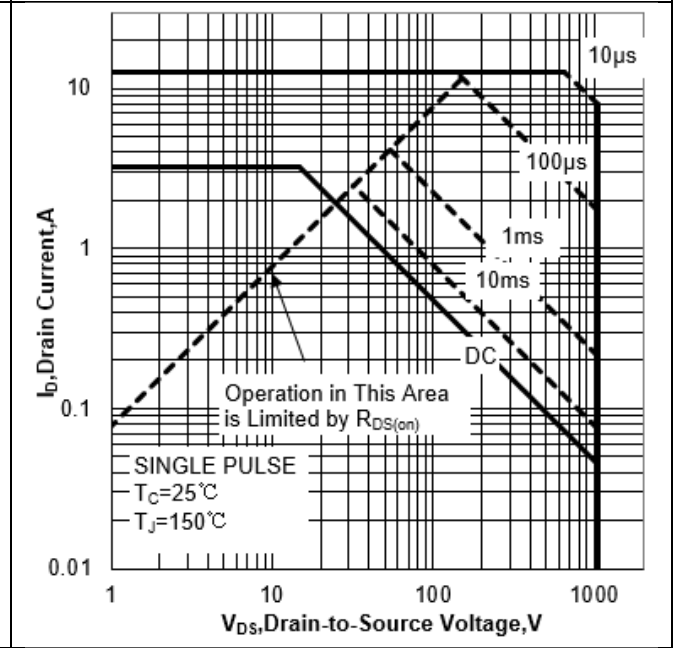


Figure 1c Safe Operating Area (TO-251\TO-252)

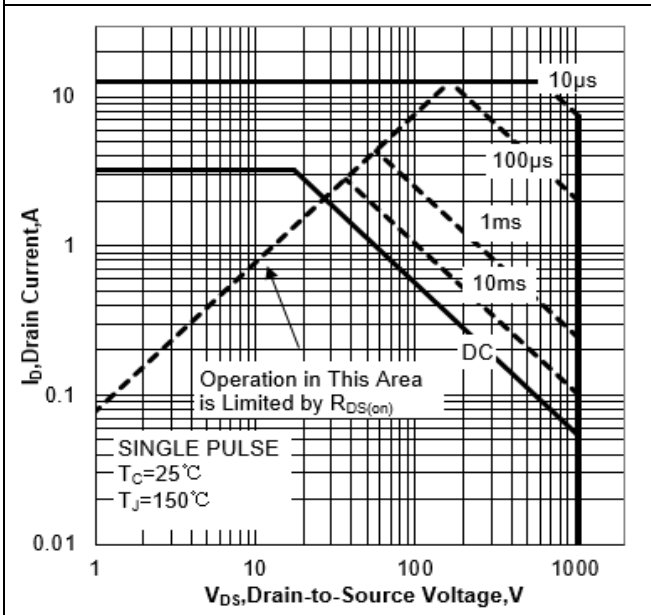


Figure 2a Power Dissipation (TO-220)

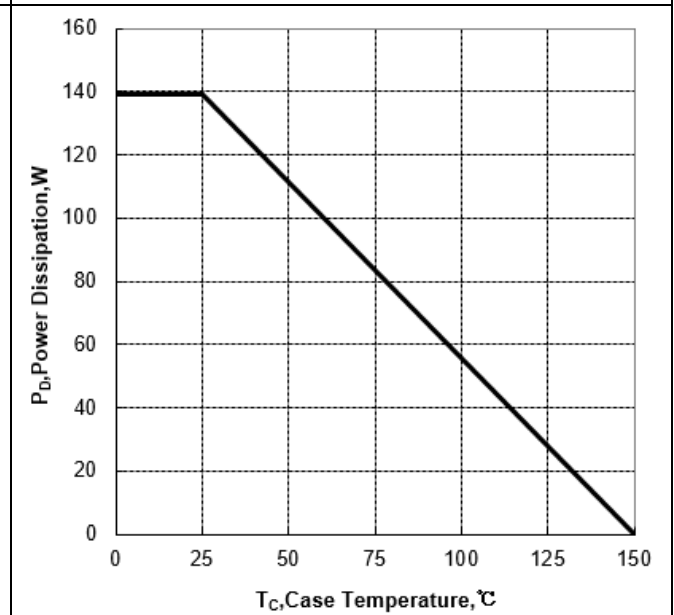




Figure 2c Power Dissipation (TO-220F)

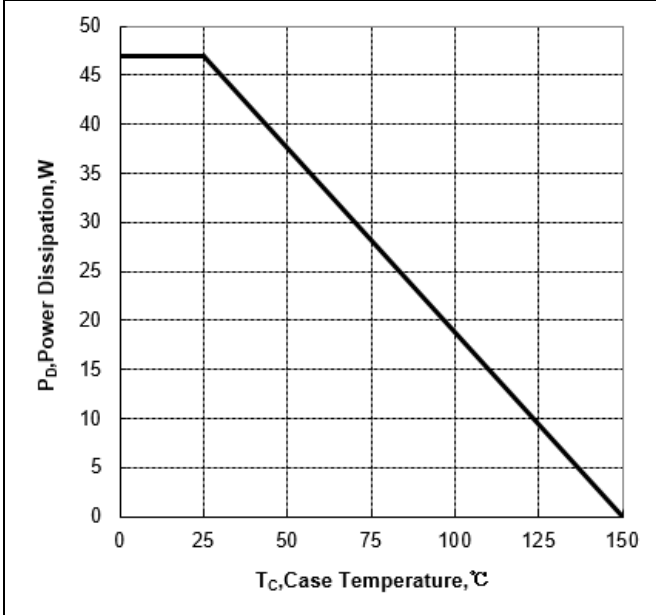


Figure 2c Power Dissipation (TO-251\TO-252)

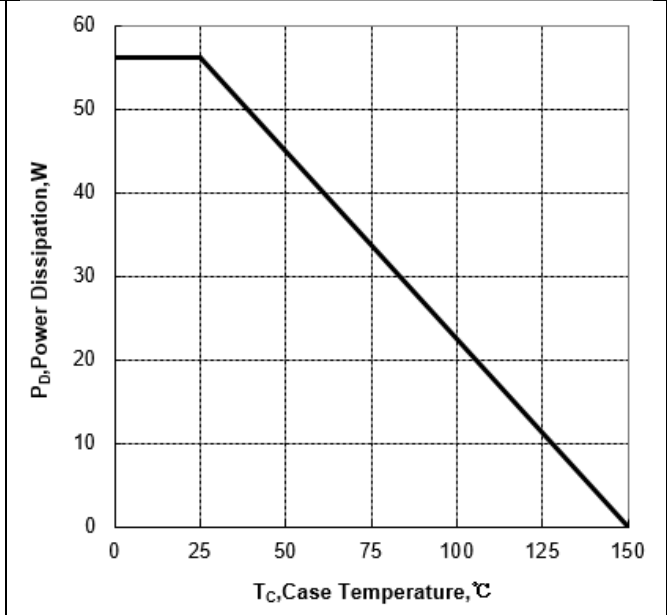


Figure 3a Max Thermal Impedance (TO-220)

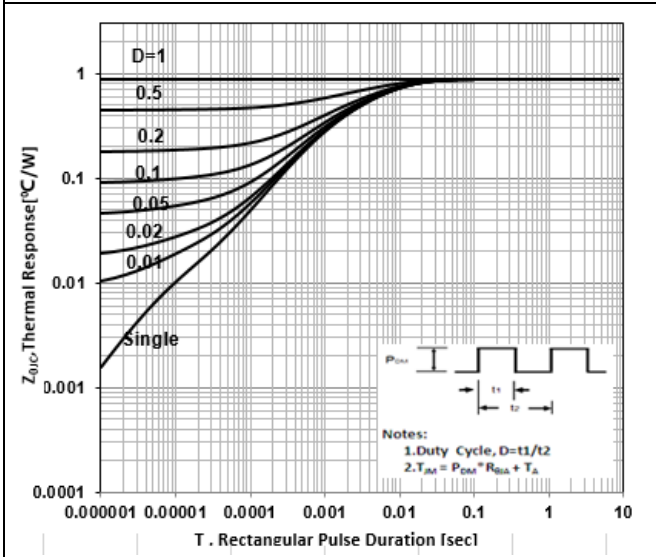
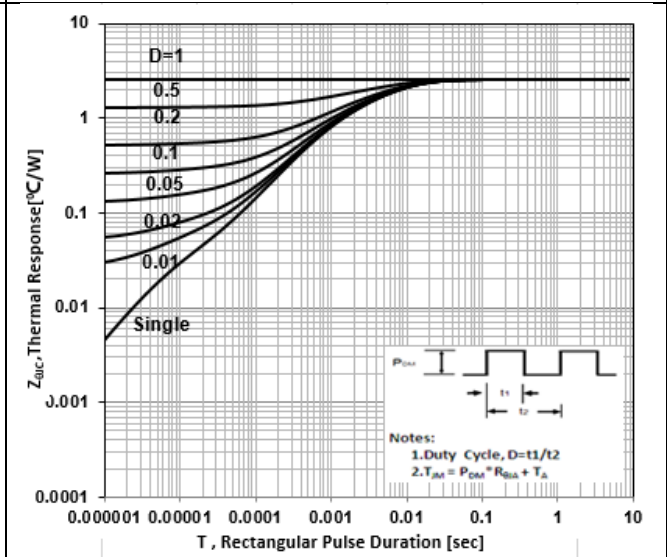
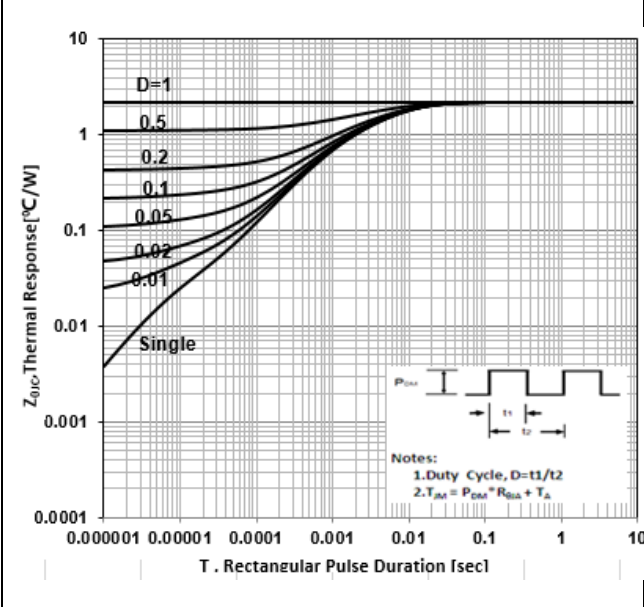


Figure 3b Max Thermal Impedance (TO-220F)

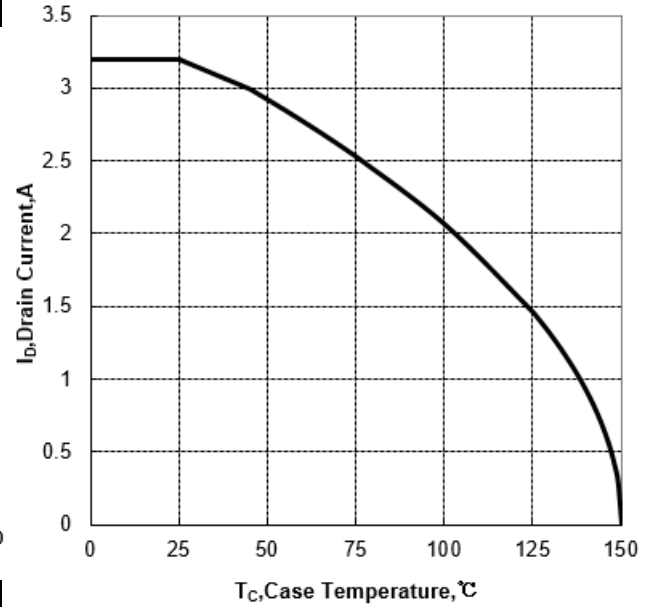




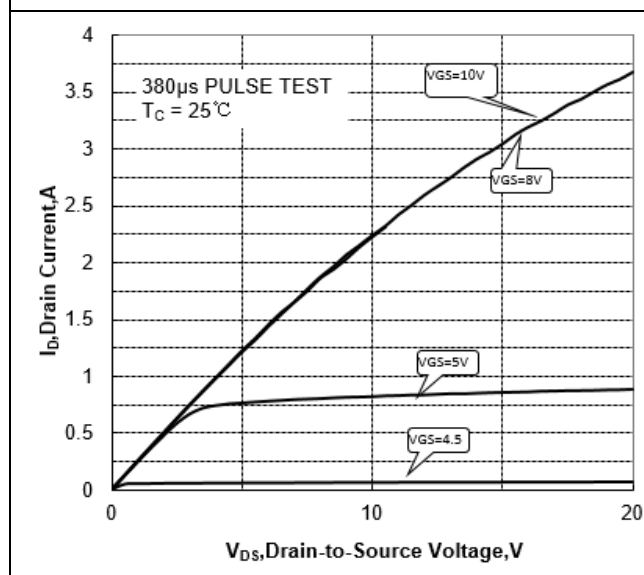
**Figure 3c Max Thermal Impedance (TO-251\TO-252)**



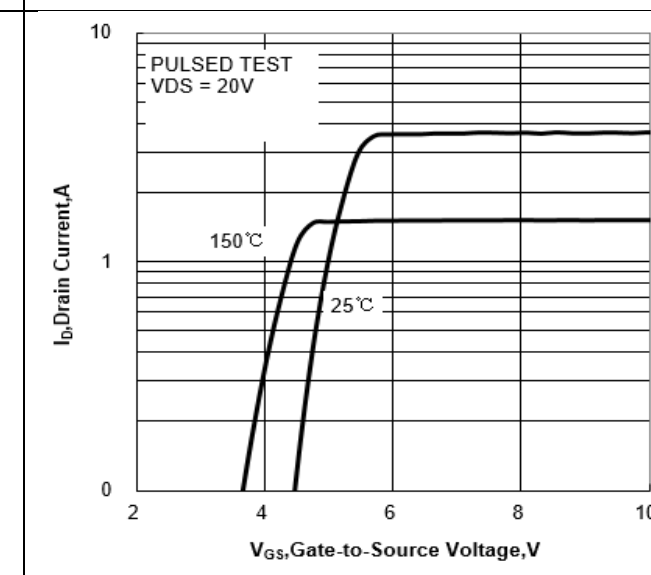
**Figure 4 Maximum Continuous Drain Current**



**Figure 4 Typical Output Characteristics**

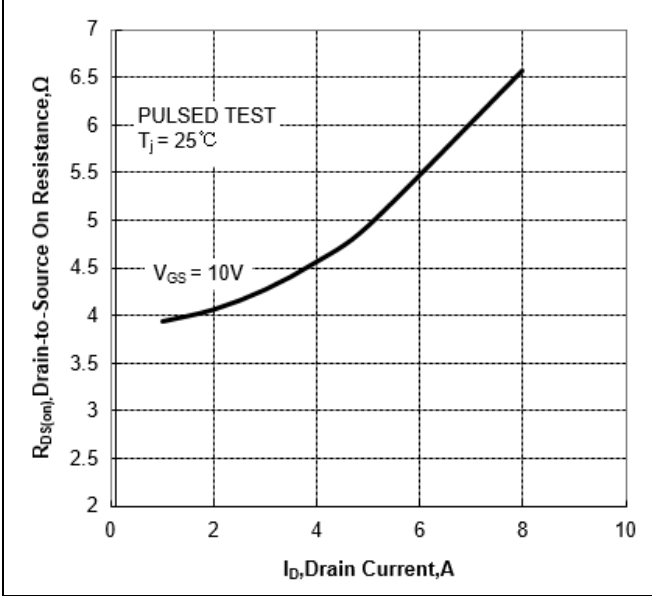


**Figure 5 Typical Transfer Characteristics**

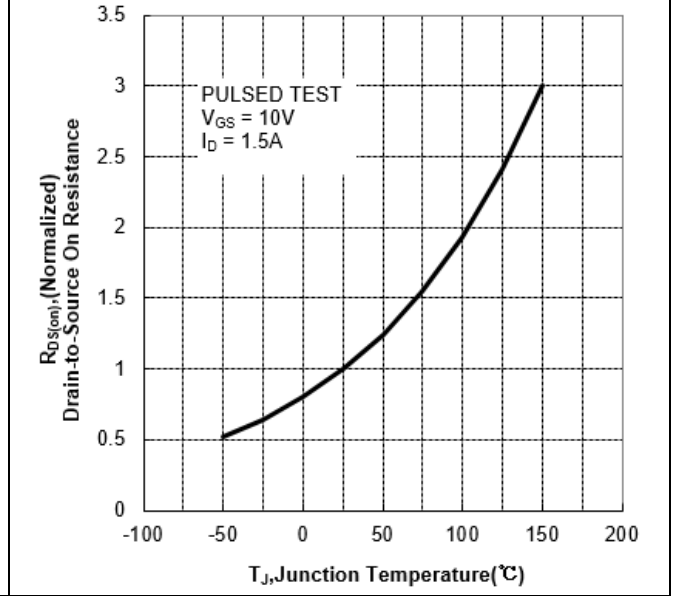




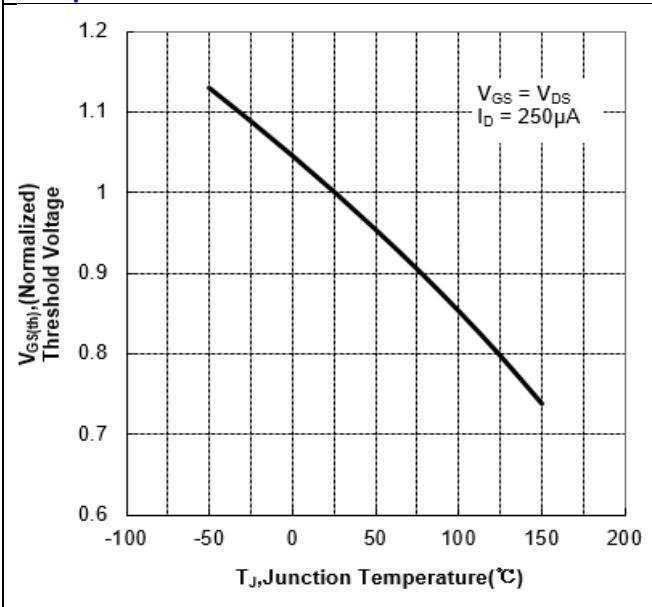
**Figure 6 Typical Drain to Source ON Resistance vs Drain Current**



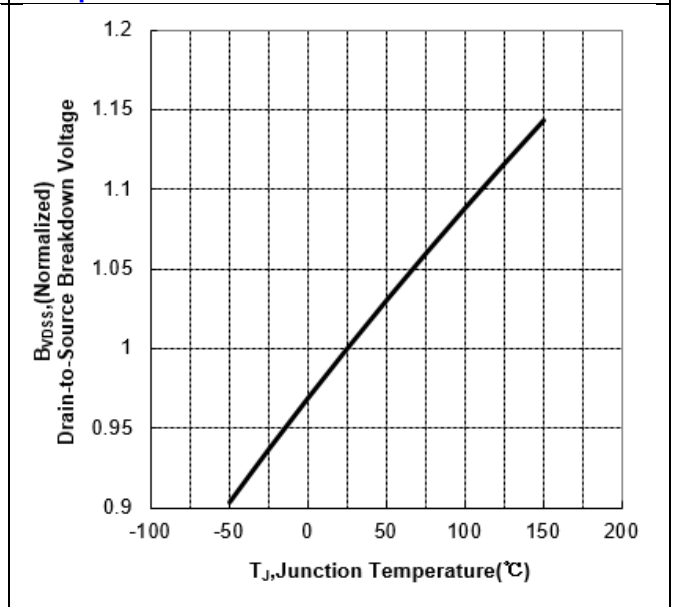
**Figure 7 Typical Drain to Source on Resistance vs Junction Temperature**



**Figure 8 Typical Theshold Voltage vs Junction Temperature**



**Figure 9 Typical Breakdown Voltage vs Junction Temperature**



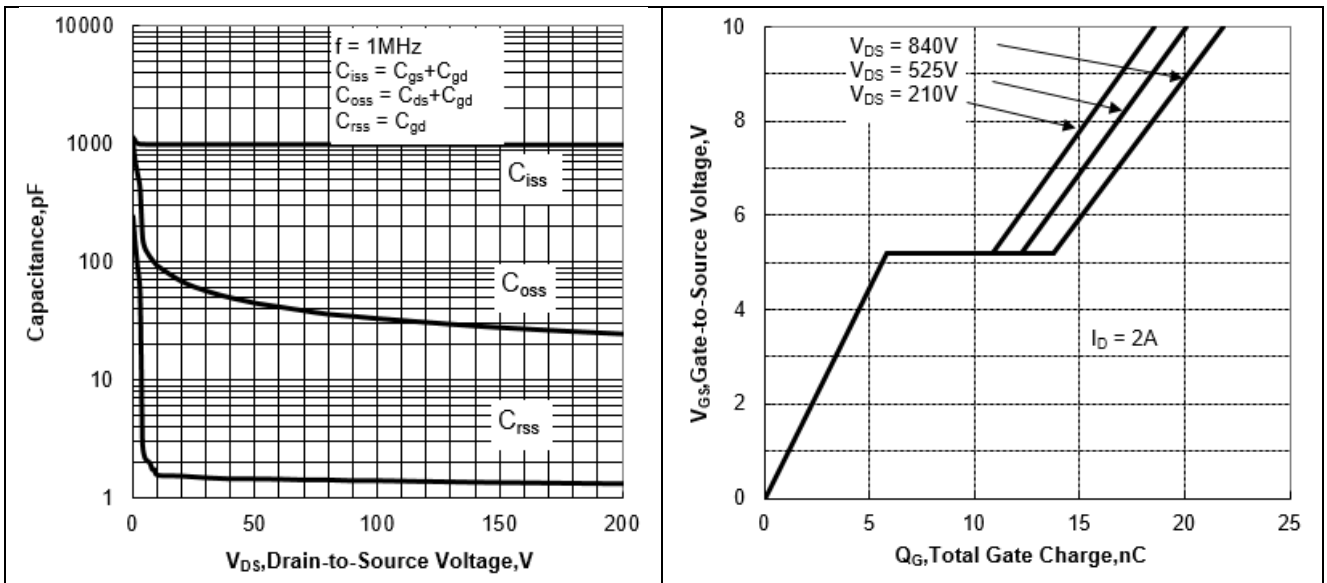
**Figure 10 Typical Theshold Voltage vs Junction Temperature**



**Figure 11 Typical Breakdown Voltage vs Junction Temperature**









## 6. Test Circuit and Waveform

<p><b>Figure 12 Gate Charge Test Circuit</b></p>	<p><b>Figure 13 Gate Charge Waveforms</b></p>
<p><b>Figure 14 Resistive Switching Test Circuit</b></p>	<p><b>Figure 15 Resistive Switching Waveforms</b></p>



Figure 16 Diode Reverse Recovery Test Circuit

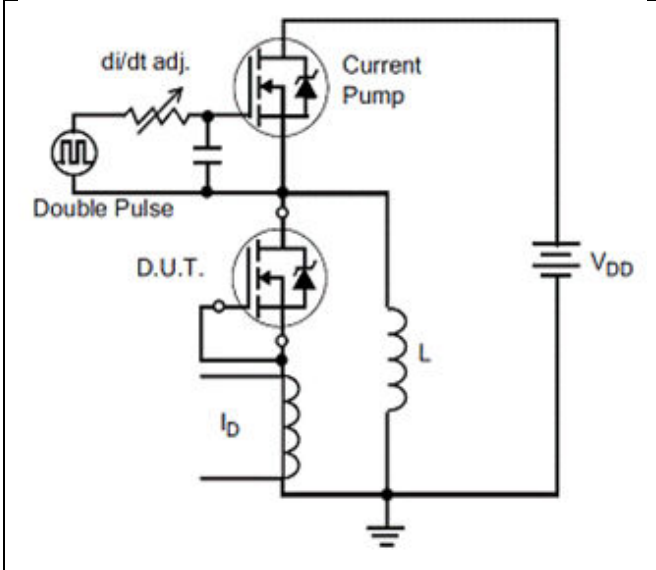


Figure 17 Diode Reverse Recovery Waveform

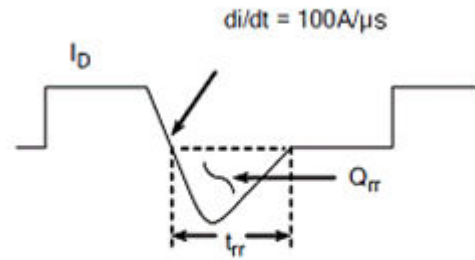


Figure 18 Unclamped Inductive Switching Test Circuit

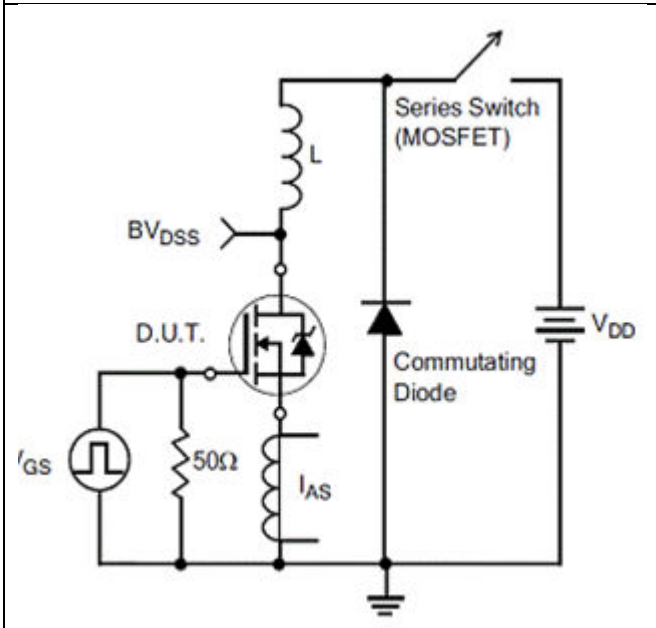
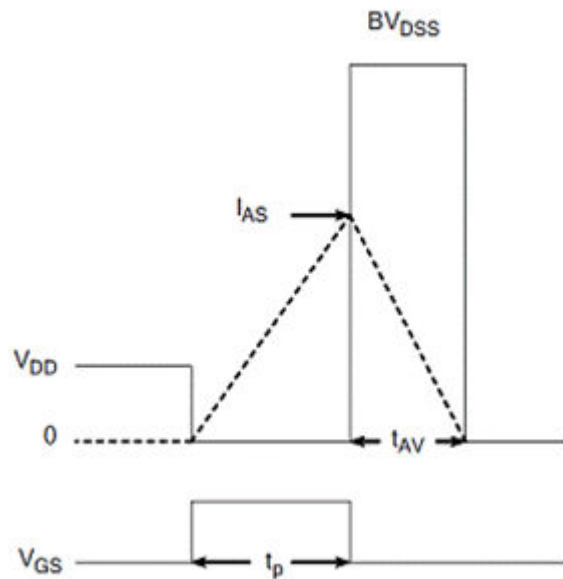
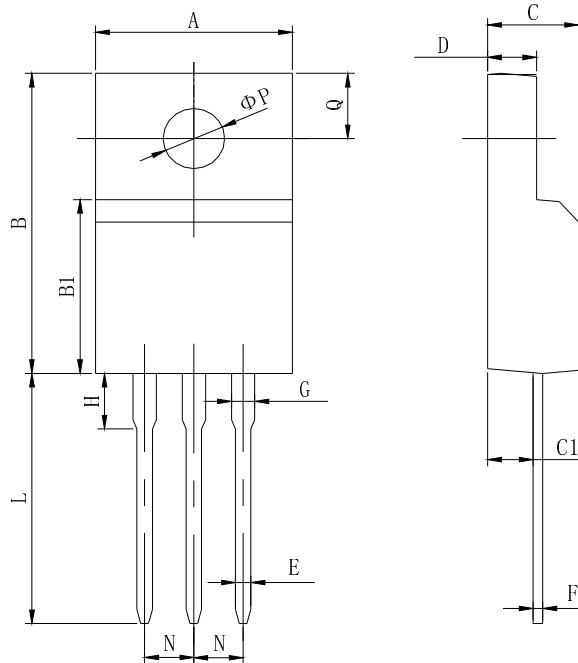


Figure 19 Unclamped Inductive Switching Waveform

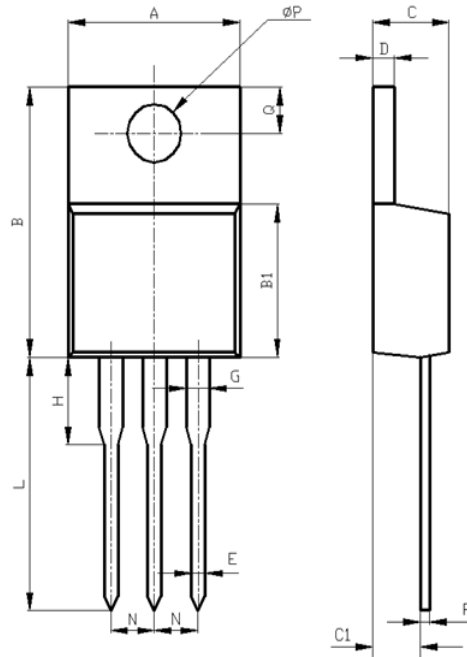


## 7. Package Description



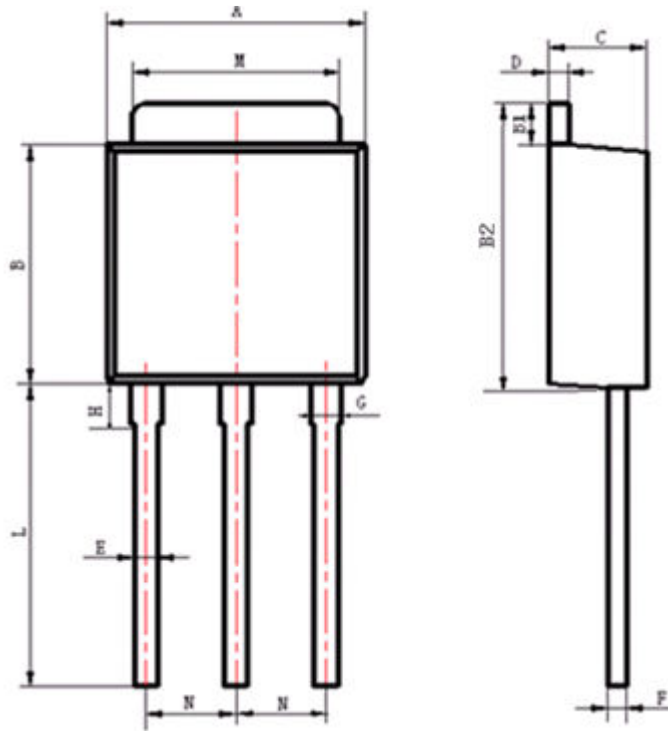
Items	Values(mm)	
	MIN	MAX
A	9.60	10.4
B	15.4	16.2
B1	8.90	9.50
C	4.30	4.90
C1	2.10	3.00
D	2.40	3.00
E	0.60	1.00
F	0.30	0.60
G	1.12	1.42
H	3.40	3.80
	1.60	2.90
L	12.0	14.0
N	2.34	2.74
Q	3.15	3.55
$\phi P$	2.90	3.30

TO-220F Package



Items	Values(mm)	
	MIN	MAX
A	9.60	10.6
B	15.0	16.0
B1	8.90	9.50
C	4.30	4.80
C1	2.30	3.10
D	1.20	1.40
E	0.70	0.90
F	0.30	0.60
G	1.17	1.37
H	2.70	3.80
L	12.6	14.8
N	2.34	2.74
Q	2.40	3.00
Ø P	3.50	3.90

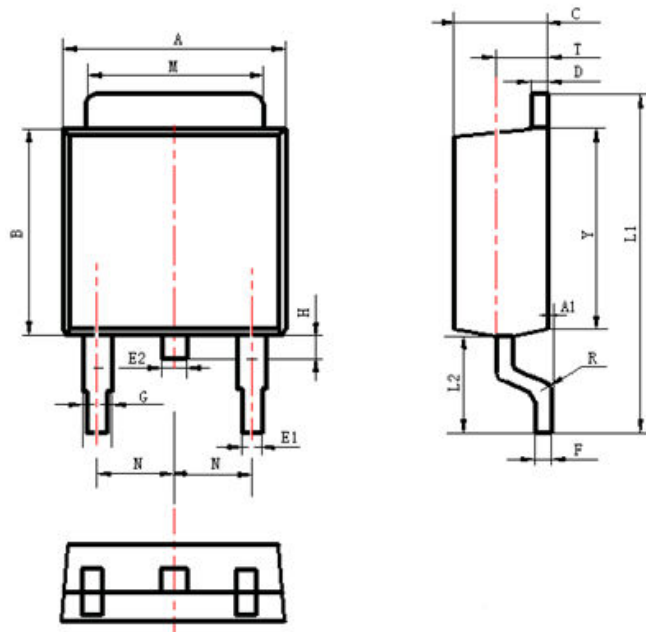
TO-220 Package



Items	Values(mm)	
	MIN	MAX
A	6.30	6.90
B	5.70	6.30
B1	1.00	1.20
B2	6.80	7.40
C	2.10	2.50
D	0.30	0.60
E	0.50	0.70
F	0.30	0.60
G	0.70	1.00
H	1.60	2.40
L*	3.9	4.3
M	5.10	5.50
N	2.09	2.49

\*: adjustable

TO-251 Package



Items	Values(mm)	
	MIN	MAX
A	6.30	6.90
A1	0	0.13
B	5.70	6.30
C	2.10	2.50
D	0.30	0.60
E1	0.60	0.90
E2	0.70	1.00
F	0.30	0.60
G	0.70	1.20
L1	9.60	10.50
L2	2.70	3.10
H	0.60	1.00
M	5.10	5.50
N	2.09	2.49
R	0.3	
T	1.40	1.60
Y	5.10	6.30

TO-252 Package



**NOTE:**

1. Exceeding the maximum ratings of the device in performance may cause damage to the device, even the permanent failure, which may affect the dependability of the machine. Please do not exceed the absolute maximum ratings of the device when circuit designing.
2. When installing the heat sink, please pay attention to the torsional moment and the smoothness of the heat sink.
3. MOSFETs is the device which is sensitive to the static electricity, it is necessary to protect the device from being damaged by the static electricity when using it.
4. Shanghai Jerrett reserves the right to make changes in this specification sheet and is subject to change without prior notice.