



## 1. Description

JR2N50, the silicon N-channel Enhanced MOSFETs, is obtained by advanced MOSFET technology which reduce the conduction loss, improve switching performance and enhance the avalanche energy. The transistor is suitable device for SMPS, high speed switching and general purpose applications.

### KEY CHARACTERISTICS

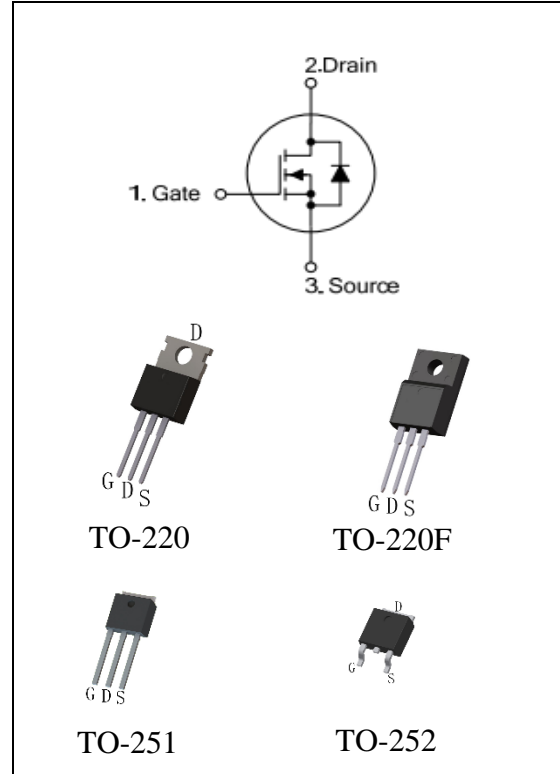
Parameter	Value	Unit
$V_{DS}$	500	V
$I_D$	2.5	A
$R_{DS(ON).Typ}$	2.5	$\Omega$

### FEATURES

- Fast Switching
- Low  $C_{rss}$
- 100% avalanche tested
- Improved dv/dt capability
- RoHS product

### APPLICATIONS

- High frequency switching mode power supply



## ORDERING INFORMATION

Ordering Codes	Package	Product Code	Packing
JR2N50-P	TO-220	2N50	Tube
JR2N50-A	TO-220F		Tube
JR2N50-U	TO-251		Tube
JR2N50-D	TO-252		Tape Reel

<p>JR2N50-A</p> <p>(2) Package type (1) Chip name</p> <p>(1) JR2N50:500V 2.5A (2) A:TO-220F P: TO-220 U:TO-251 D: TO-252</p>	<p>XXXX: Product Code YYWW: Year&amp;Week ZZ: Assembly Code SSSS: Lot Code</p>
--	--

## 2. ABSOLUTE RATINGS

at  $T_c = 25^\circ\text{C}$ , unless otherwise specified

Symbol	Parameter	Rating	Units
$V_{DSS}$	Drain-to-Source Voltage	500	V
$I_D$	Continuous Drain Current	2.5	A
	Continuous Drain Current $T_c = 100^\circ\text{C}$	1.63	A
$I_{DM}$	Pulsed Drain Current(Note1)	10	A
$V_{GS}$	Gate-to-Source Voltage	$\pm 30$	V
$E_{AS}$	Single Pulse Avalanche Energy(Note2)	96	mJ
$dv/dt$	Peak Diode Recovery $dv/dt$ (Note3)	5.0	V/ns
$P_D$	Power Dissipation TO-220, TO-251, TO-252	35	W
	Derating Factor above $25^\circ\text{C}$	0.38	W/ $^\circ\text{C}$
$P_D$	Power Dissipation TO-220F	21	W
	Derating Factor above $25^\circ\text{C}$	0.17	W/ $^\circ\text{C}$
$T_J, T_{stg}$	Operating Junction and Storage Temperature Range	150, $-55$ to 150	$^\circ\text{C}$
$T_L$	Maximum Temperature for Soldering	300	$^\circ\text{C}$

## 3. Thermal characteristics

### Thermal characteristics (No FullPAK) TO-220\TO-251\TO-252

Symbol	Parameter	RATINGS	Units
$R_{\theta JC}$	Junction-to-Case	3.57	$^\circ\text{C}/\text{W}$
$R_{\theta JA}$	Junction-to-Ambient	62.5	$^\circ\text{C}/\text{W}$

### Thermal characteristics (FullPAK) TO-220F

Symbol	Parameter	RATINGS	Units
$R_{\theta JC}$	Junction-to-Case	6	$^\circ\text{C}/\text{W}$
$R_{\theta JA}$	Junction-to-Ambient	62.5	$^\circ\text{C}/\text{W}$

## 4. Electrical Characteristics

at  $T_c = 25^\circ\text{C}$ , unless otherwise specified

OFF Characteristics						
Symbol	Parameter	Test Conditions	Values			Units
			Min.	Typ.	Max.	
$V_{DSS}$	Drain to Source Breakdown Voltage	$V_{GS}=0V$ , $I_D=250\mu A$	500	--	--	V
$\Delta BV_{DSS}/\Delta T_J$	Bvdss Temperature Coefficient	$I_D=250\mu A$ , Reference $25^\circ\text{C}$	--	0.56	--	$V/^\circ\text{C}$
$I_{DSS}$	Drain to Source Leakage Current	$V_{DS} = 500V$ , $V_{GS} = 0V$ , $T_J = 25^\circ\text{C}$	--	--	1	$\mu A$
		$V_{DS} = 400V$ , $V_{GS} = 0V$ , $T_J = 125^\circ\text{C}$	--	--	100	$\mu A$
$I_{GSS(F)}$	Gate to Source Forward Leakage	$V_{GS} = +30V$	--	--	100	nA
$I_{GSS(R)}$	Gate to Source Reverse Leakage	$V_{GS} = -30V$	--	--	100	nA

ON Characteristics						
Symbol	Parameter	Test Conditions	Values			Units
			Min.	Typ.	Max.	
$R_{DS(ON)}$	Drain-to-Source On-Resistance	$V_{GS}=10V$ , $I_D=1A(\text{Note4})$	--	2.5	3.0	$\Omega$
$V_{GS(TH)}$	Gate Threshold Voltage	$V_{DS} = V_{GS}$ , $I_D = 250\mu A(\text{Note4})$	2.0	3.0	4.0	V
$g_{fs}$	Forward Transconductance	$V_{DS}=15V$ , $I_D = 1A(\text{Note4})$	--	2	--	S

Dynamic Characteristics						
Symbol	Parameter	Test Conditions	Values			Units
			Min.	Typ.	Max.	
$R_g$	Gate resistance	$f = 1.0\text{MHz}$	--	3.5	--	$\Omega$
$C_{iss}$	Input Capacitance	$V_{GS} = 0V$ $V_{DS} = 25V$ $f = 1.0\text{MHz}$	--	240	--	PF
$C_{oss}$	Output Capacitance		--	42	--	
$C_{rss}$	Reverse Transfer Capacitance		--	20	--	

Switching Characteristics						
Symbol	Parameter	Test Conditions	Values			Units
			Min.	Typ.	Max.	
$t_{d(ON)}$	Turn-on Delay Time	$I_D = 2.5A$ $V_{DD} = 250V$ $V_{GS} = 10V$ $R_G = 25\Omega$	--	10	--	ns
$t_r$	Rise Time		--	21	--	
$t_{d(OFF)}$	Turn-Off Delay Time		--	26	--	
$t_f$	Fall Time		--	11	--	
$Q_g$	Total Gate Charge	$I_D = 2.5A$ $V_{DD} = 400V$ $V_{GS} = 10V$	--	8.6	--	nC
$Q_{gs}$	Gate to Source Charge		--	3	--	
$Q_{gd}$	Gate to Drain ("Miller") Charge		--	3.8	--	

Source-Drain Diode Characteristics						
Symbol	Parameter	Test Conditions	Values			Units
			Min.	Typ.	Max.	
$I_S$	Continuous Source Current (Body Diode)	TC=25 °C	--	--	2.5	A
$I_{SM}$	Maximum Pulsed Current (Body Diode)		--	--	10	A
$V_{SD}$	Diode Forward Voltage	$I_S = 2.5A$ , $V_{GS} = 0V$ (Note4)	--	--	1.2	V
$T_{rr}$	Reverse Recovery Time	$I_S = 2.5A$ , $T_j = 25^\circ C$ $dI_F/dt = 100A/\mu s$ , $V_{GS} = 0V$	--	160	--	ns
$Q_{rr}$	Reverse Recovery Charge		--	520	--	nC

Note1: Pulse width limited by maximum junction temperature

Note2: L=20mH,  $V_{DS} = 50V$ , Start  $T_J = 25^\circ C$

Note3:  $I_{SD} = 2.5A$ ,  $dI/dt \leq 100A/\mu s$ ,  $V_{DD} \leq BV_{DS}$ , Start  $T_J = 25^\circ C$

Note4: Pulse width  $t_p \leq 300\mu s$ ,  $\delta \leq 2\%$



## 5. Characteristics Curves

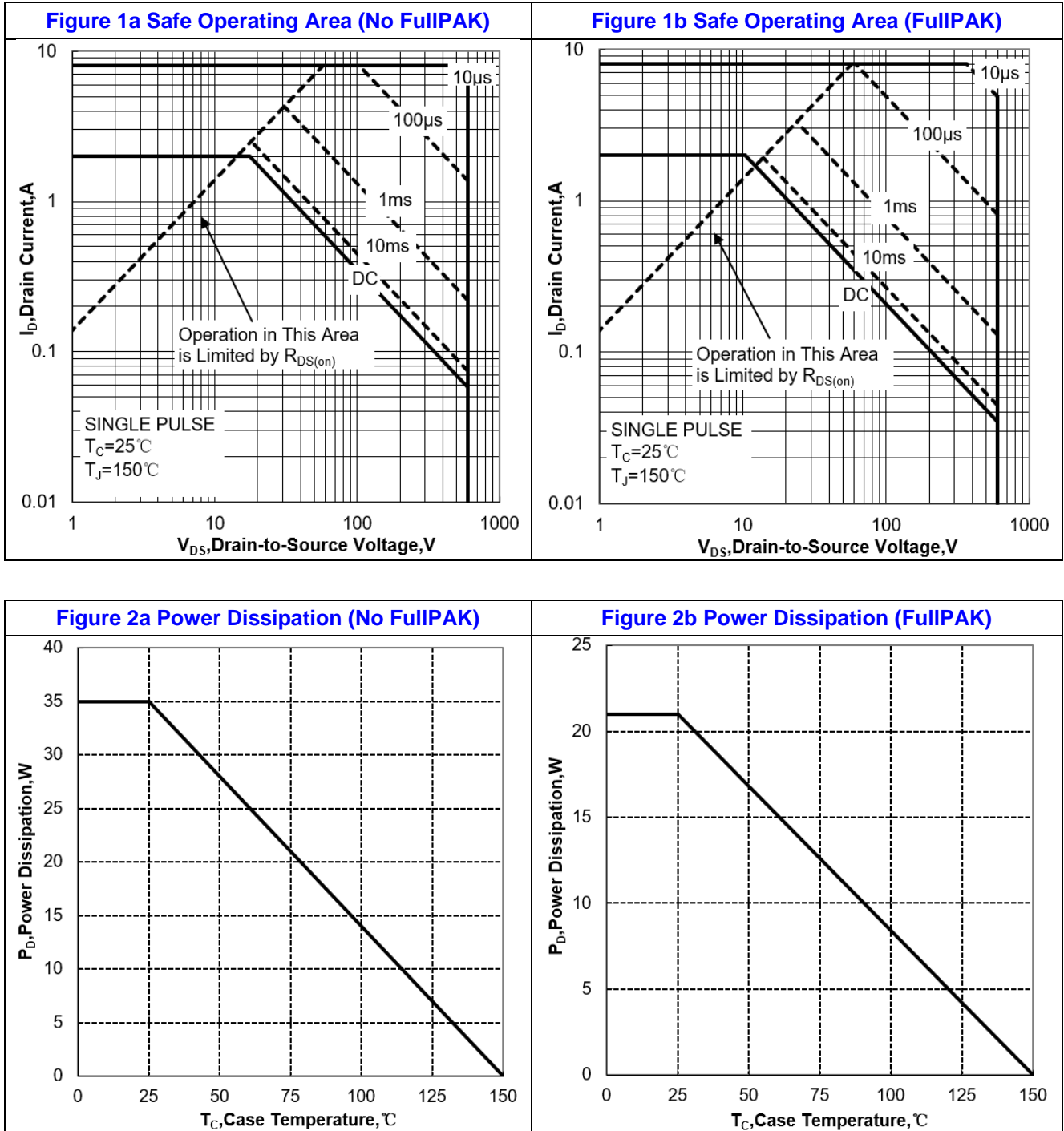




Figure 3a Max Thermal Impedance (No FullPAK)

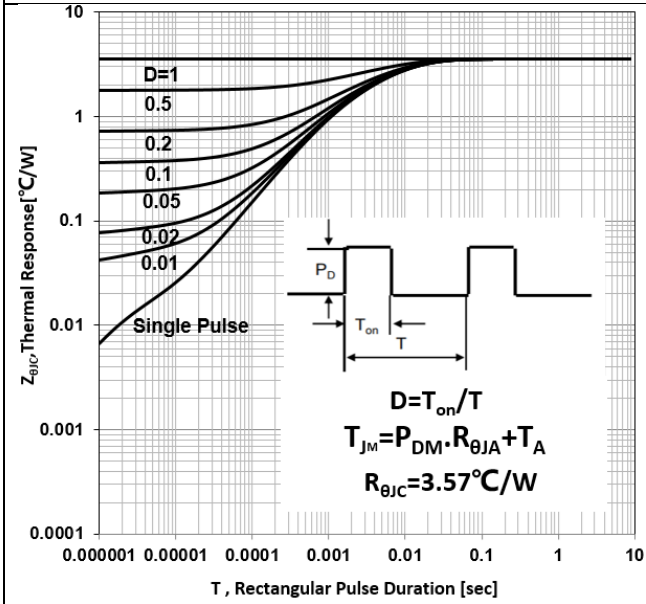


Figure 3b Max Thermal Impedance (FullPAK)

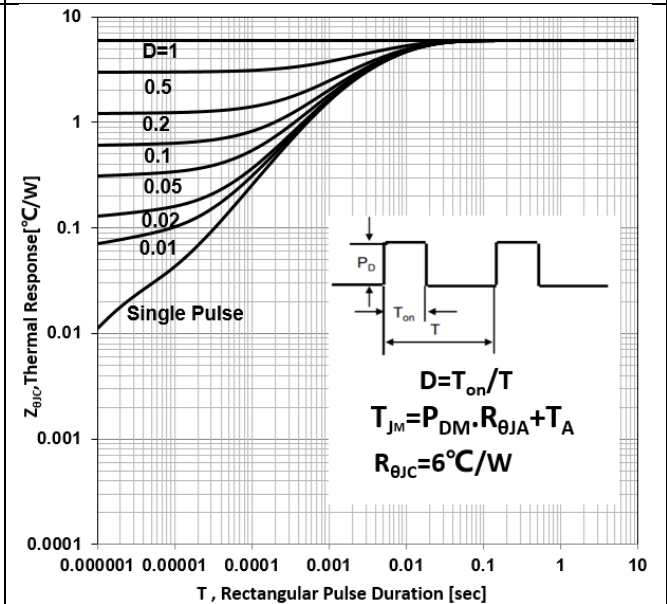


Figure 4 Typical Output Characteristics

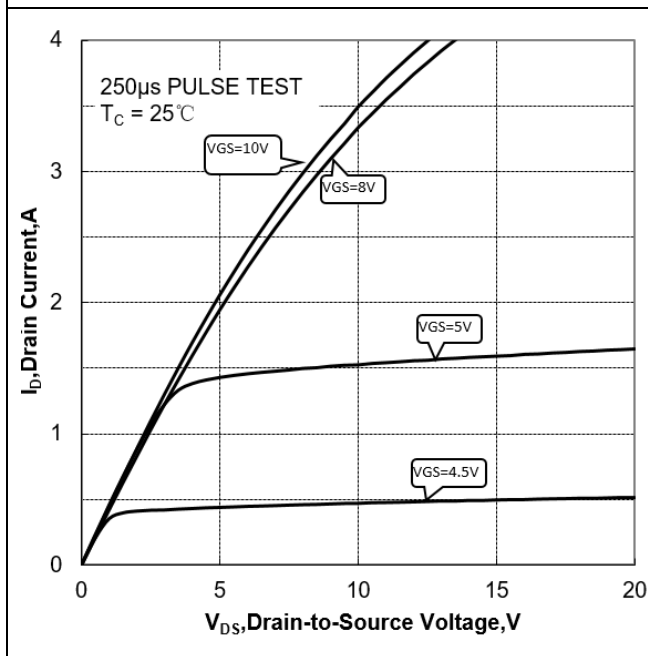
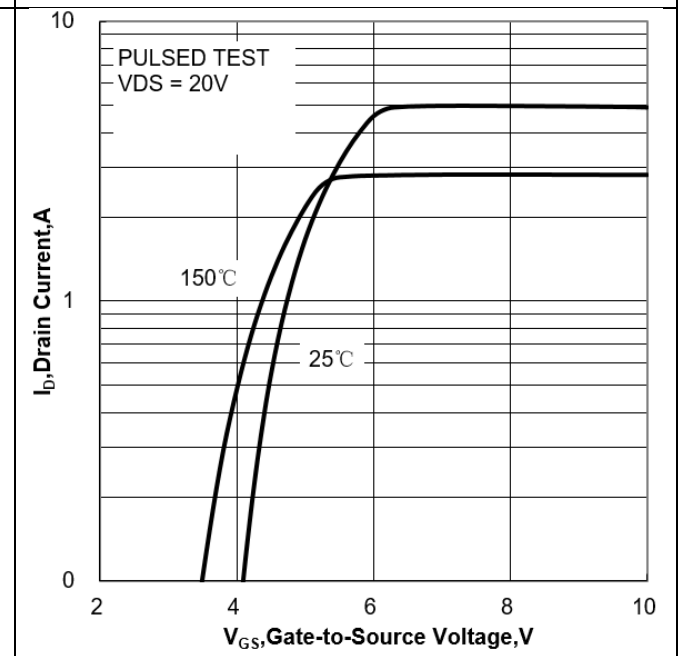
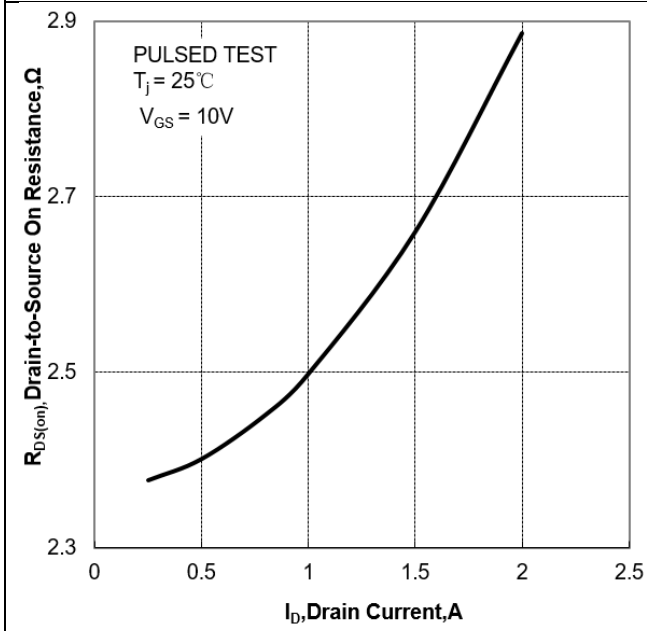


Figure 5 Typical Transfer Characteristics

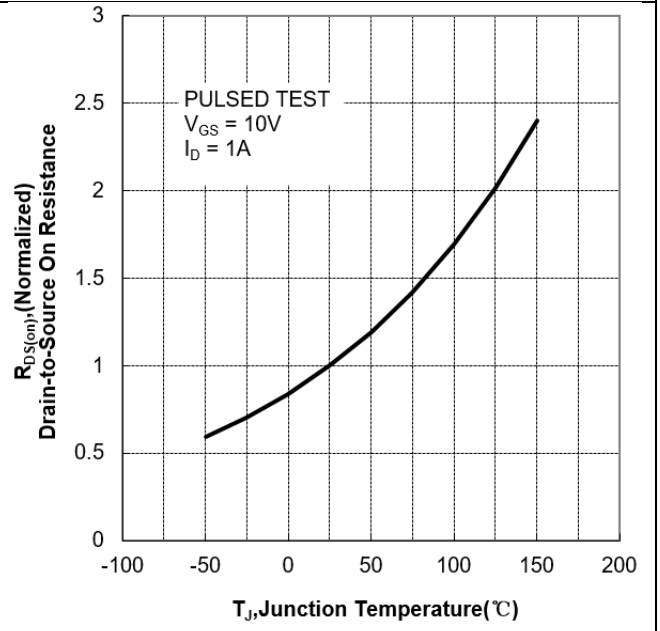




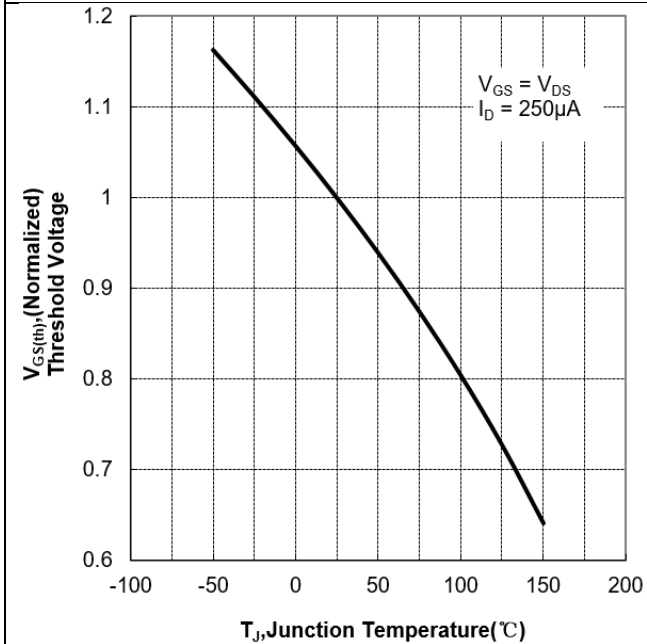
**Figure 6 Typical Drain to Source ON Resistance vs Drain Current**



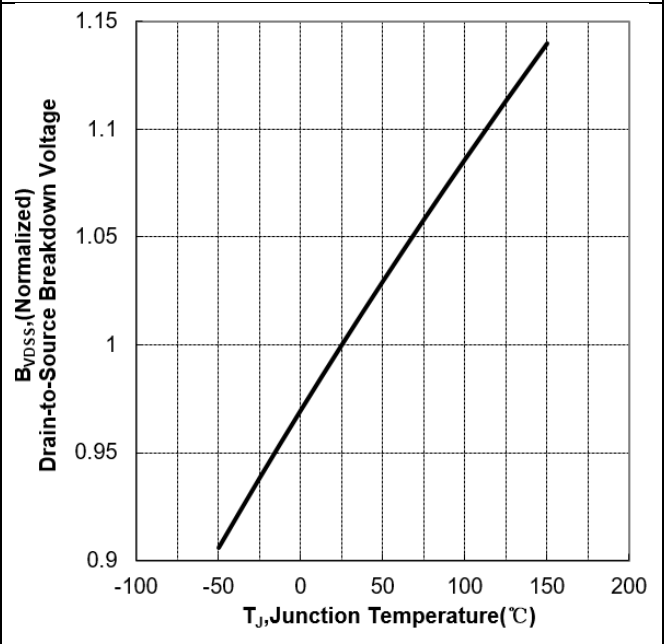
**Figure 7 Typical Drain to Source on Resistance vs Junction Temperature**



**Figure 8 Typical Theshold Voltage vs Junction Temperature**

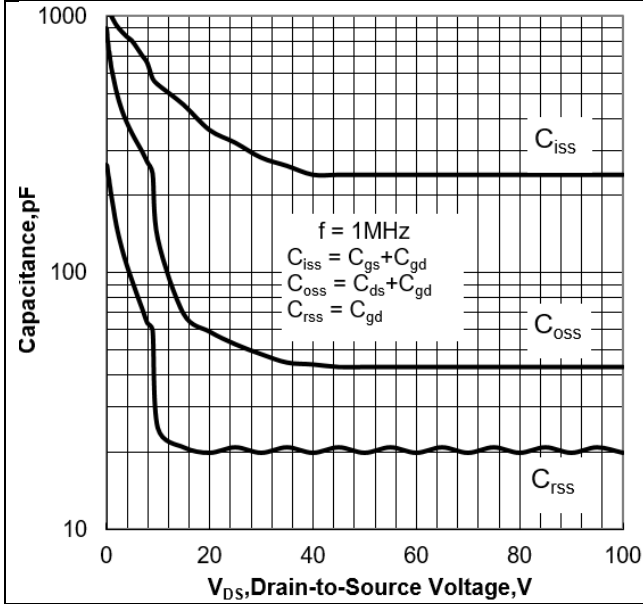


**Figure 9 Typical Breakdown Voltage vs Junction Temperature**

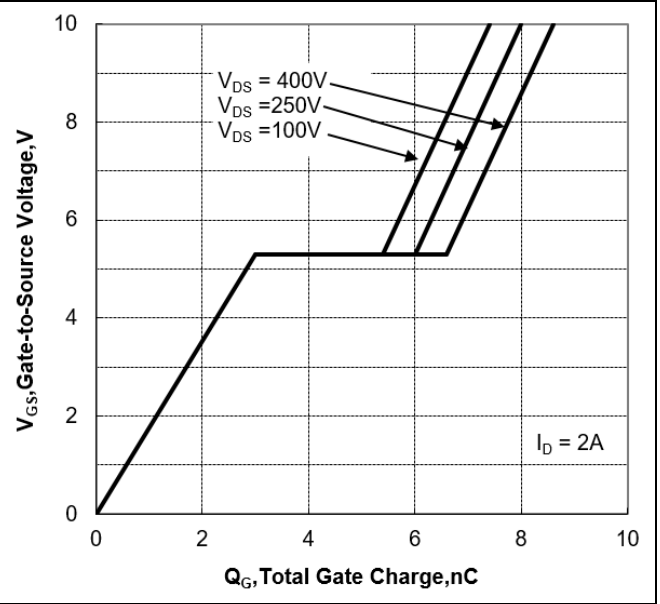




**Figure 10 Typical Capacitance vs Drain to Source Voltage**



**Figure 11 Typical Gate Charge vs Gate to Source Voltage**





## 6. Test Circuit and Waveform

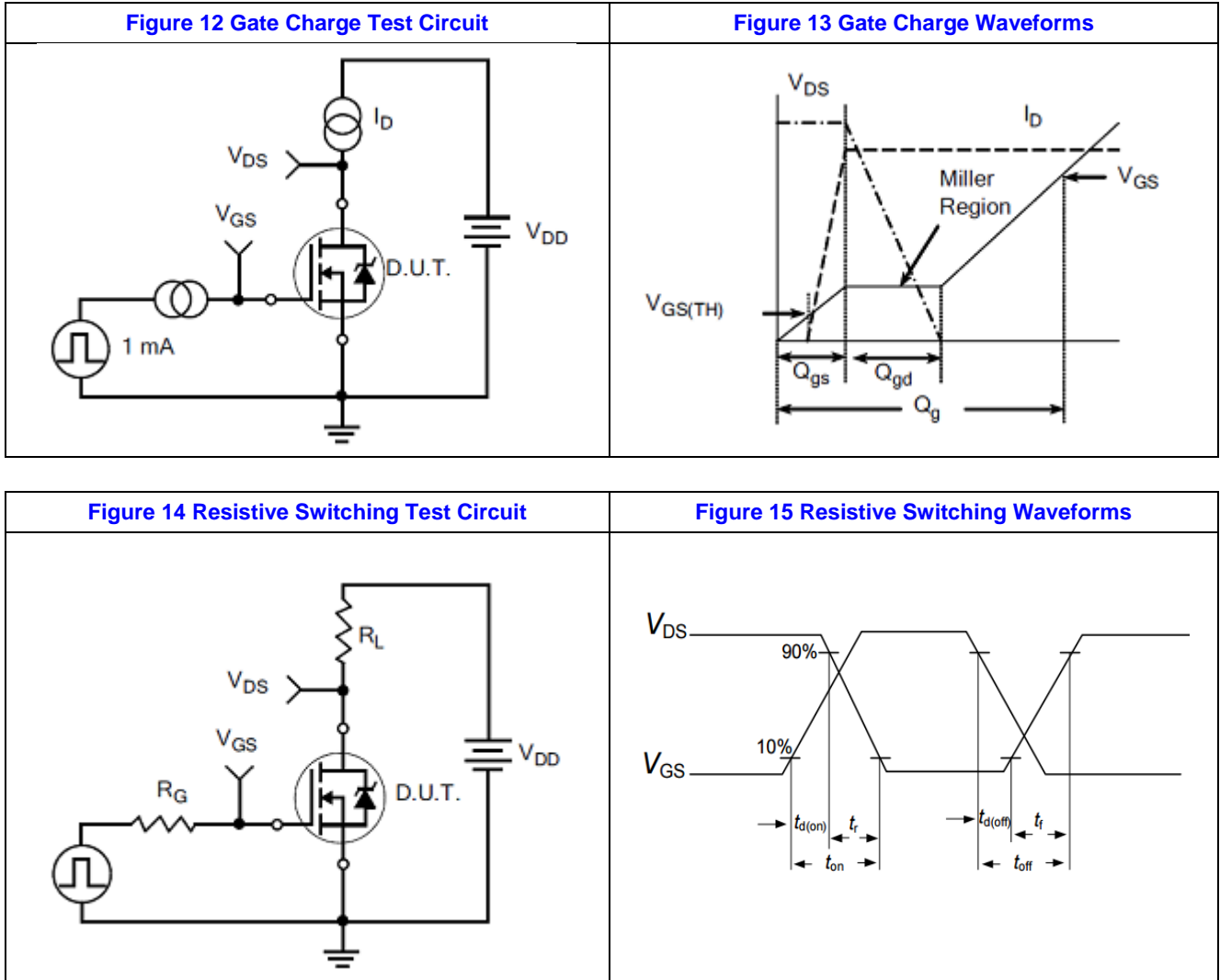


Figure 16 Diode Reverse Recovery Test Circuit

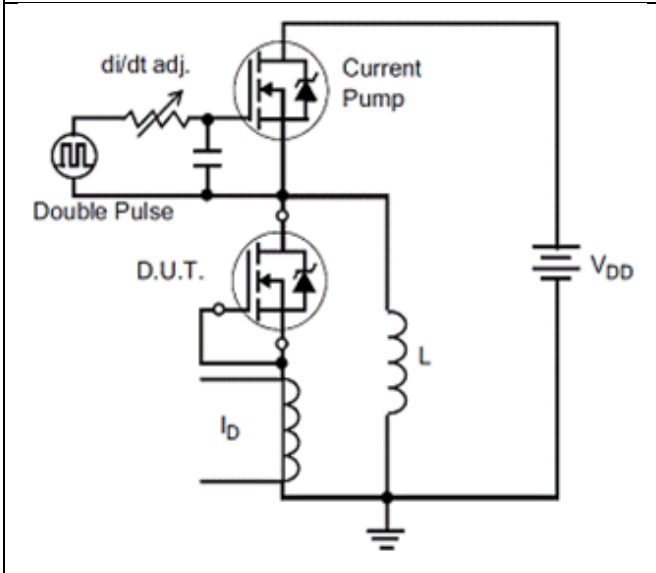


Figure 17 Diode Reverse Recovery Waveform

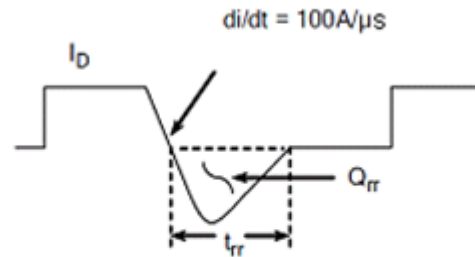


Figure 18 Unclamped Inductive Switching Test Circuit

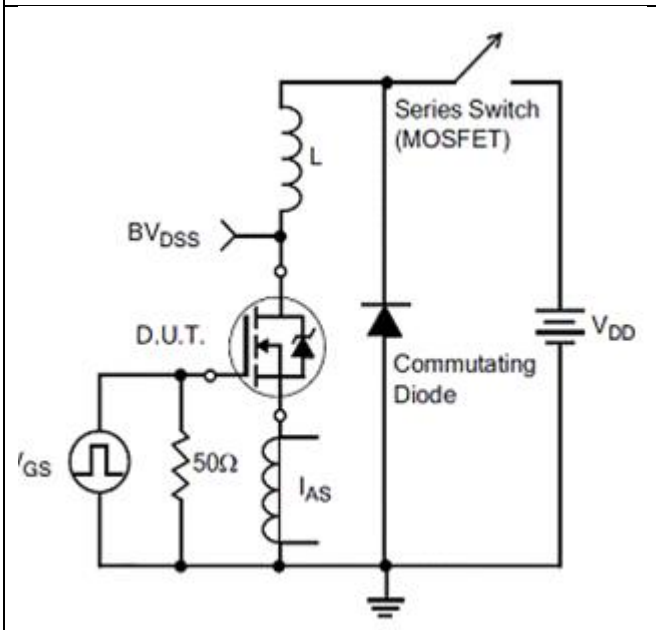
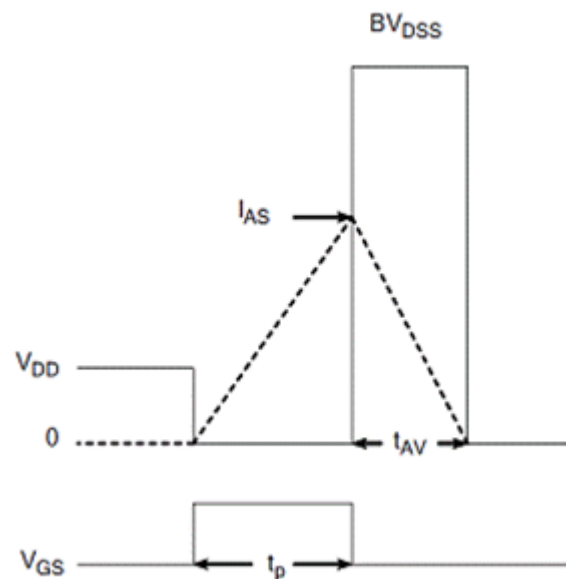
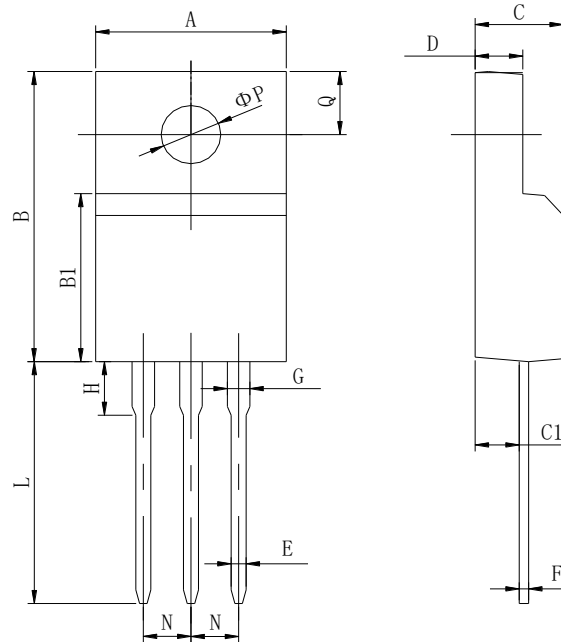


Figure 19 Unclamped Inductive Switching Waveform

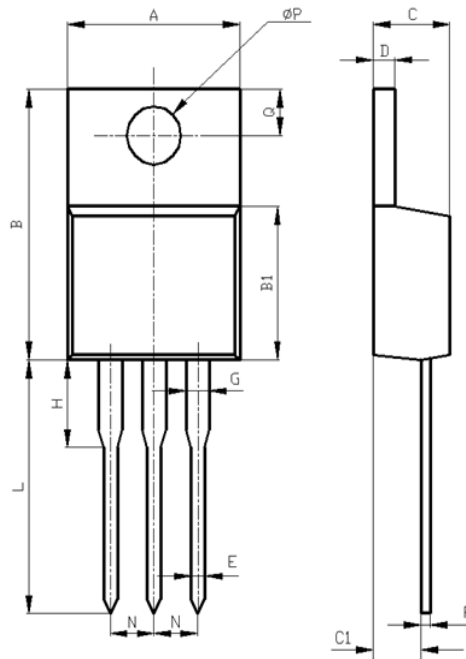


## 7. Package Description



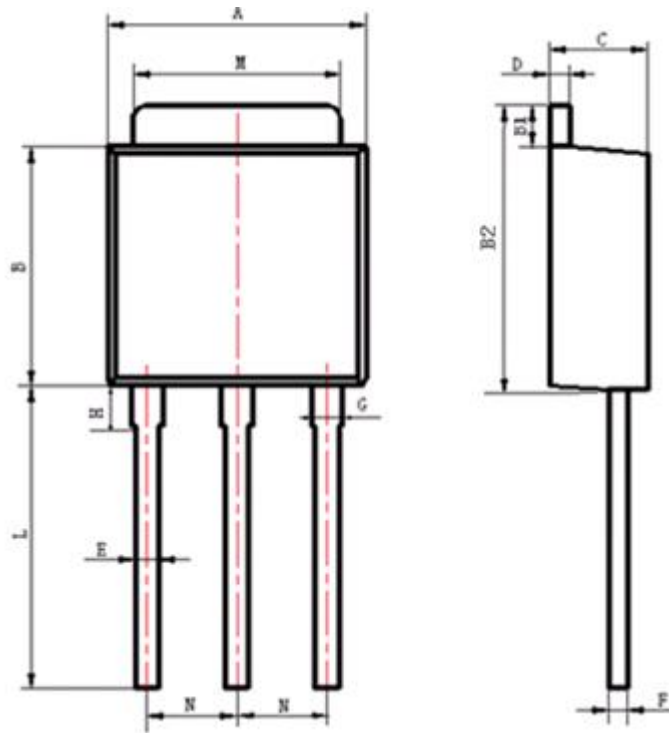
Items	Values(mm)	
	MIN	MAX
A	9.60	10.4
B	15.4	16.2
B1	8.90	9.50
C	4.30	4.90
C1	2.10	3.00
D	2.40	3.00
E	0.60	1.00
F	0.30	0.60
G	1.12	1.42
H	3.40	3.80
	1.60	2.90
L	12.0	14.0
N	2.34	2.74
Q	3.15	3.55
Φ P	2.90	3.30

TO-220F Package



Items	Values(mm)	
	MIN	MAX
A	9.60	10.6
B	15.0	16.0
B1	8.90	9.50
C	4.30	4.80
C1	2.30	3.10
D	1.20	1.40
E	0.70	0.90
F	0.30	0.60
G	1.17	1.37
H	2.70	3.80
L	12.6	14.8
N	2.34	2.74
Q	2.40	3.00
$\phi P$	3.50	3.90

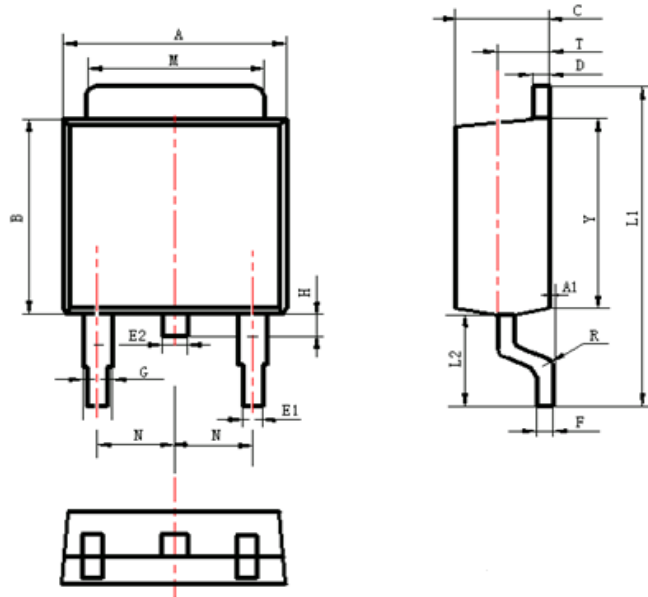
TO-220 Package



Items	Values(mm)	
	MIN	MAX
A	6.30	6.90
B	5.70	6.30
B1	1.00	1.20
B2	6.80	7.40
C	2.10	2.50
D	0.30	0.60
E	0.50	0.70
F	0.30	0.60
G	0.70	1.00
H	1.60	2.40
L*	3.9	4.3
M	5.10	5.50
N	2.09	2.49

\*: adjustable

### TO-251 Package



Items	Values(mm)	
	MIN	MAX
A	6.30	6.90
A1	0	0.13
B	5.70	6.30
C	2.10	2.50
D	0.30	0.60
E1	0.60	0.90
E2	0.70	1.00
F	0.30	0.60
G	0.70	1.20
L1	9.60	10.50
L2	2.70	3.10
H	0.60	1.00
M	5.10	5.50
N	2.09	2.49
R	0.3	
T	1.40	1.60
Y	5.10	6.30

TO-252 Package



**NOTE:**

1. Exceeding the maximum ratings of the device in performance may cause damage to the device, even the permanent failure, which may affect the dependability of the machine. Please do not exceed the absolute maximum ratings of the device when circuit designing.
2. When installing the heat sink, please pay attention to the torsional moment and the smoothness of the heat sink.
3. MOSFETs is the device which is sensitive to the static electricity, it is necessary to protect the device from being damaged by the static electricity when using it.
4. Shanghai Jerrett reserves the right to make changes in this specification sheet and is subject to change without prior notice.